
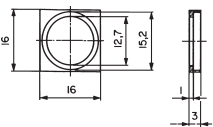

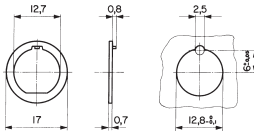

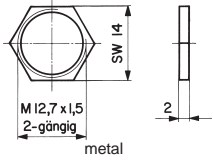

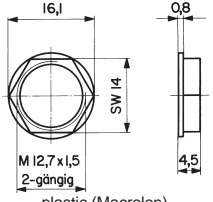

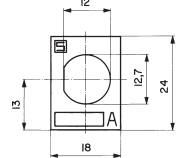

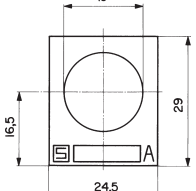

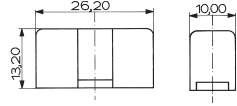


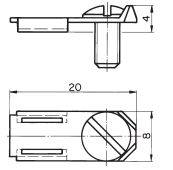


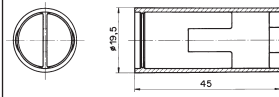

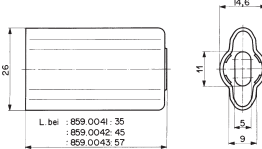


Accessories For Fuseholders / Fuse Blocks / Fuse Clips

 <p>Square flange</p> <p>Can be used with all fuseholders with a 0.5" mounting hole</p> 	 <p>Anti-rotation washer</p> <p>For securing fuseholders with a 0.5" mounting hole without having to punch a complicated "D" cut-out</p> 	 <p>Metal nut made from nickel-plated brass. Thread: M 12.7 x 1.5 double pitch</p>   <p>Plastic nut, fiberglass reinforced polycarbonate. Thread: M12.7 x 1.5, double pitch. Fuseholders may be supplied with clear or black plastic nut. Conversion to black nut in progress.</p> 	 <p>Fuseholder faceplate with self adhesive backing for fuseholders with a 0.5" mounting hole</p>   <p>Fuseholder faceplate with self adhesive backing for fuseholders with a 5/8" or 3/4" mounting hole</p> 	 <p>Cover for fuse block UHB 0031.5101 and fuse clips OG 0751.0052/0062</p>  <p>OGH 0853.9561: Macrolon (UL94 V-O), max. 1.6 Watts power dissipation</p> <p>OGH 0853.9562: Vitrex (UL94 V-O), max. 3.15 Watts power dissipation</p>
Order Numbers				
QF 0853.0066	VSI 0696.0033	0098.0026 Metal 0098.0093 Plastic	0880.0001 0.5" 0880.0002 5/8" or 3/4"	shown above with photos

 <p>Cover for fuse blocks OGN 0031.8201/8211/8221</p> <p>Macrolon (UL 94V-O), max. 1.6 Watts power dissipation</p>	 <p>Screw-adaptor for quick-connect terminals .250 x .032", straight (6.3 x 0.8mm)</p> 	 <p>Insulation boot for fuseholders FEU and FBS panel mount. Made of flexible plastic (UL 94V-O)</p>	 <p>Insulation boot for fuseholders FIZ/FUL. Made from UL recognized component plastic (UL file #E41871)</p> 	 <p>Insulation boot for fuseholders FEU. Made from UL recognized component plastic (UL file #E41871)</p>  <p>L. bei : 859.0041: 35 : 859.0042: 45 : 859.0043: 57</p>
Order Numbers				
OGH 0853.0551	0750.0141	0859.0081	0859.0046	0859.0041 for FEU 031.1653 0859.0042 for FEU 031.1673 0859.0042 for FEU 031.1681 0859.0043 for FEU 031.1694