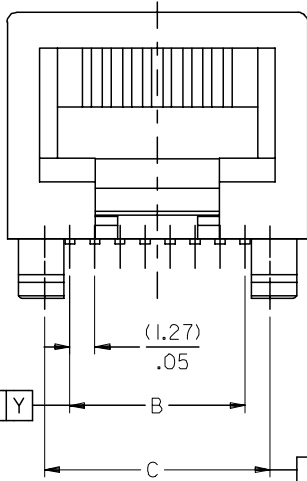
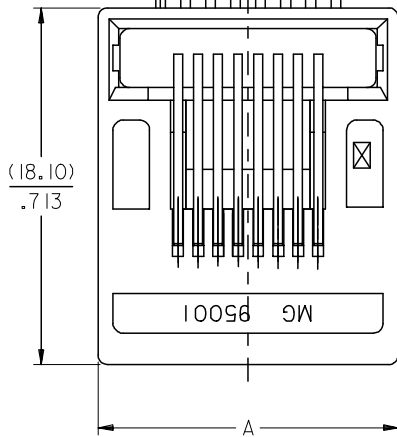


6 & 8 VERSIONS

8 VERSION SHOWN

CIRCUIT I
(8 CKTS VERSION)

CIRCUIT I
(6 CKTS VERSION)



$\equiv (\varnothing .10) / .004 Y$

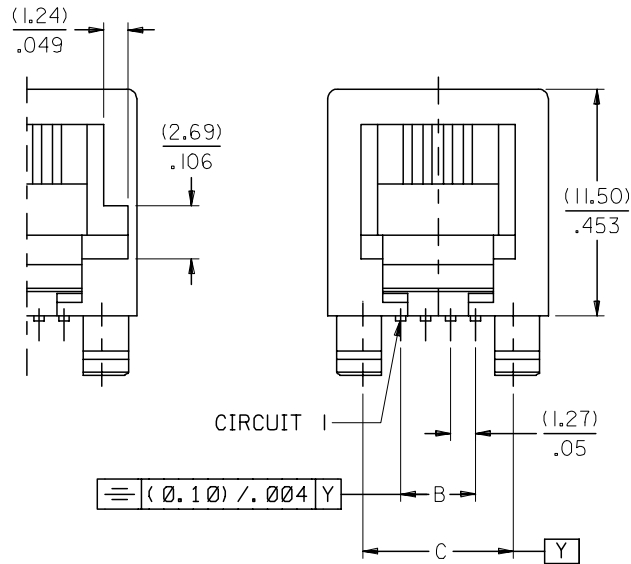
NOTES :

1- MATERIAL:

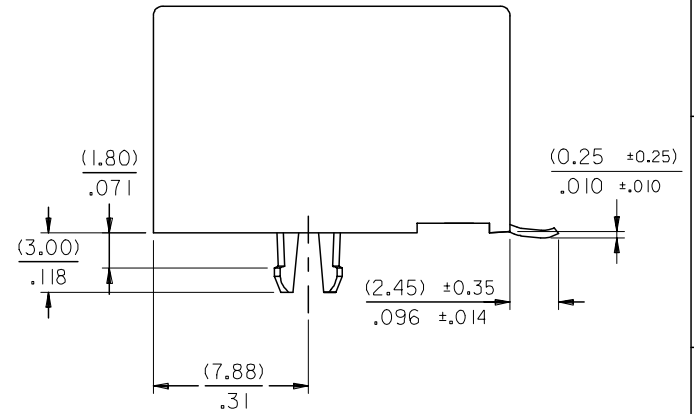
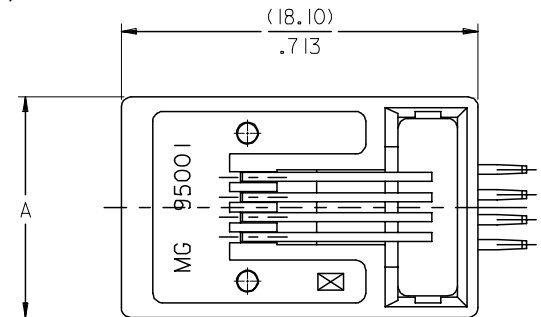
-HOUSING: POLYAMIDE 4/6 FIBER GLASS FILLED UL 94-V0,
COLOR GREY.
SPECIAL VERSION COLOR BLACK

2- SEE OTHER NOTES SHEET 1

OPTIONAL KEYING



4 VERSION ONLY



EC NO: MG2005-0106 2004/10/12 DRAWN: MARTIN 2004/10/12 CHKD: FCARABET 2004/10/12 APPR: KNOLLER 2004/10/13	QUALITY SYMBOLS ▽=0 ▽=0	GENERAL TOLERANCES (UNLESS SPECIFIED)		DIMENSION STYLE MM/IN	SCALE 4:1	DESIGN UNITS METRIC	THIRD ANGLE PROJECTION	
		4 PLACES ± --- ± --- 3 PLACES ± --- ± .006 2 PLACES ± 0.15 ± .010 1 PLACE ± 0.25 ± --- ANGULAR ± ---°	DRAWN BY FB 1993/02/24 CHECKED BY ER 1993/02/24 APPROVED BY JB 1993/02/24	TITLE R/A LOW PROFILE PC JACK 4,6,8 CKTS SIZE SMT VERSION		MOLEX INCORPORATED		DOCUMENT NO. SDA-95001
DRAFT WHERE APPLICABLE MUST REMAIN WITHIN DIMENSIONS		SEE CHART SHEETS 4.5&6		THIS DRAWING CONTAINS INFORMATION THAT IS PROPRIETARY TO MOLEX INCORPORATED AND SHOULD NOT BE USED WITHOUT WRITTEN PERMISSION				

