

**PLEASE CHECK WWW.MOLEX.COM FOR LATEST PART INFORMATION**

**Part Number:** [39-03-2067](#)  
**Status:** **Active**  
**Overview:** Standard .062"  
**Description:** 1.57mm Diameter Standard .062" Pin and Socket Plug Housing, 6 Circuits, without Mounting Ears

**Documents:**

[3D Model](#) [Product Specification PS-1625-010 \(PDF\)](#)  
[Drawing \(PDF\)](#) [RoHS Certificate of Compliance \(PDF\)](#)

**Agency Certification**

CSA LR19980  
TUV R72081037  
UL E29179

**General**

Product Family Crimp Housings  
Series [1625](#)  
Application Power, Wire-to-Wire  
Comments Polarized to Mating Part  
Overview [Standard .062"](#)  
Product Name Standard .062"  
UPC 800756567228

**Physical**

Breakaway No  
Circuits (maximum) 6  
Circuits Detail 2x3  
Color - Resin Natural  
Flammability 94V-2  
Gender Plug  
Glow-Wire Compliant No  
Keying to Mating Part None  
Lock to Mating Part Yes  
Material - Resin Nylon  
Net Weight 1461.100/mg  
Number of Rows 3  
Packaging Type Bag  
Panel Mount No  
Pitch - Mating Interface 3.68mm  
Pitch - Termination Interface 3.68mm  
Polarized to Mating Part Yes  
Stackable No  
Temperature Range - Operating -40°C to +105°C

**Electrical**

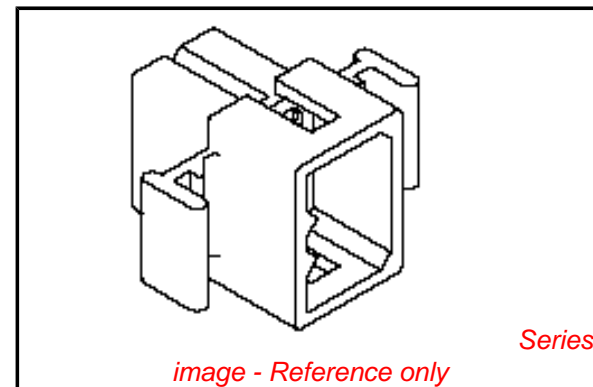
Current - Maximum per Contact 5A

**Material Info**

Old Part Number 1625-06P1

**Reference - Drawing Numbers**

Product Specification PS-1625-010, RPS-1625-001  
Sales Drawing SD-1625-06P\*



**EU RoHS**

**ELV and RoHS Compliant**

**REACH SVHC**

**Contains SVHC: No Low-Halogen Status Low-Halogen**

**China RoHS**



**Need more information on product environmental compliance?**

Email [productcompliance@molex.com](mailto:productcompliance@molex.com)  
For a multiple part number RoHS Certificate of Compliance, [click here](#)

Please visit the [Contact Us](#) section for any non-product compliance questions.

**Search Parts in this Series**

1625Series

**Mates With**

39-03-2068 , 39-03-2069

**Use With**

Female Crimp Terminals [1561](#) , [4559](#) , [4529](#) , [2190](#) , [2189](#) , [1787](#) , [1855](#) . Male Crimp Terminals [1560](#) , [1786](#) , [1854](#) . [1778](#) Male PC Tail Terminals. [1779](#) Female PC Tail Terminals

This document was generated on 06/25/2013

**PLEASE CHECK [WWW.MOLEX.COM](http://WWW.MOLEX.COM) FOR LATEST PART INFORMATION**