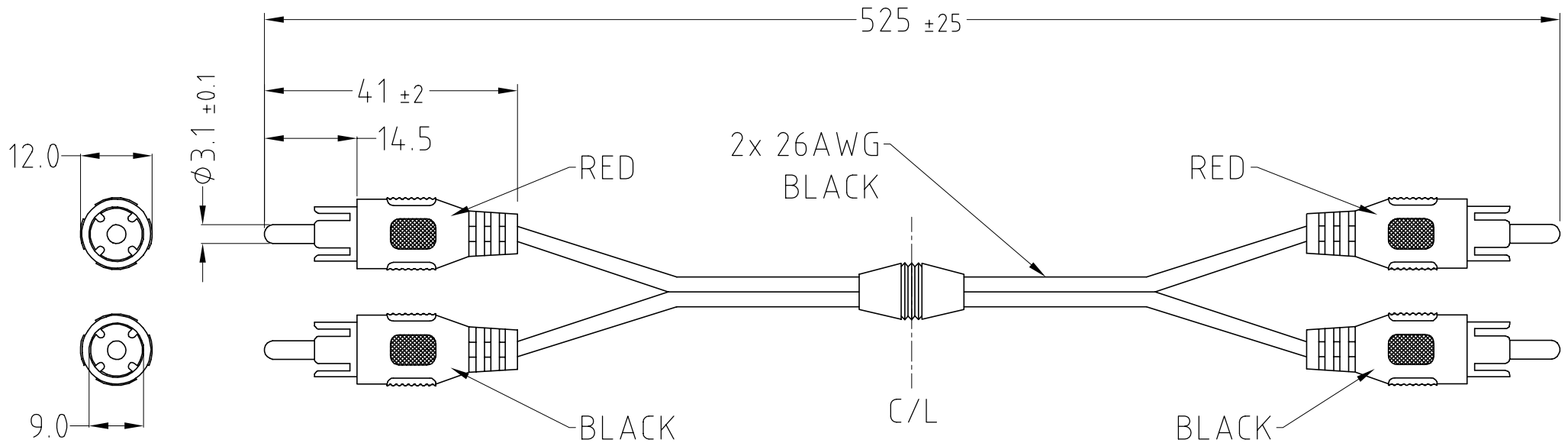


ISS.	AMEND	DATE
1		12/07/04
2	1st DRAWN UPDATED	11/12/13



EACH LEAD HANKED AND TIED

RoHS
COMPLIANT

TOLERANCE
 NO DEC. PLACE ±
 1 DEC. PLACE ± 0.50
 2 DEC. PLACE ±
 HOLE Ø ± 0.10
 ANGLES ± 1/2°
 UNLESS
 OTHERWISE STATED

Cliff Electronic Components Ltd.

76 Holmethorpe Avenue, Holmethorpe Industrial Estate,
 Redhill, Surrey, RH1 2PF, England, UK
 Tel: 01737-771375 Fax: 01737-766012 Website: www.cliffuk.co.uk

DIMENSIONS IN MILLIMETERS UNLESS OTHERWISE STATED. WORK TO DIMENSIONS. REMOVE ALL BURRS. IF IN DOUBT ASK.

3rd ANGLE PROJECTION:

DO NOT SCALE

MATERIAL: PVC / COPPER / BRASS

TITLE: DUAL PHONO LEAD ASSY (ONE Y SPLITTER TYPE)

FINISH: AS MOULDED / EXTRUDED / Ni PLATED

THE CONTENTS OF THIS DOCUMENT MUST NOT BE COPIED OR DISCLOSED
 TO A 3rd PARTY WITHOUT WRITTEN PERMISSION OF CLIFF UK. © 2004

DRAWN: C.A.M.J.

APPROVED: R.W.T.

DRWG. No. **FCR683669**

FORM: A4DRWGH