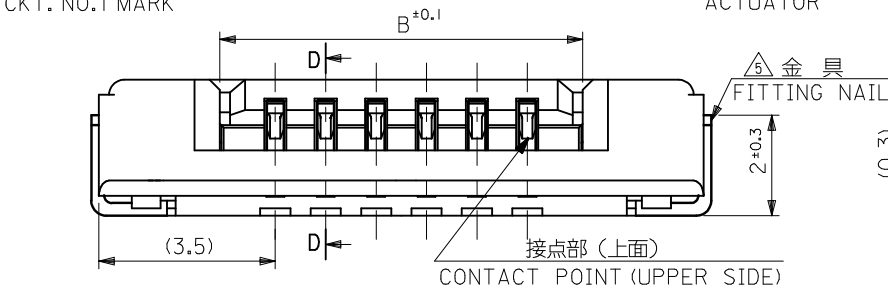
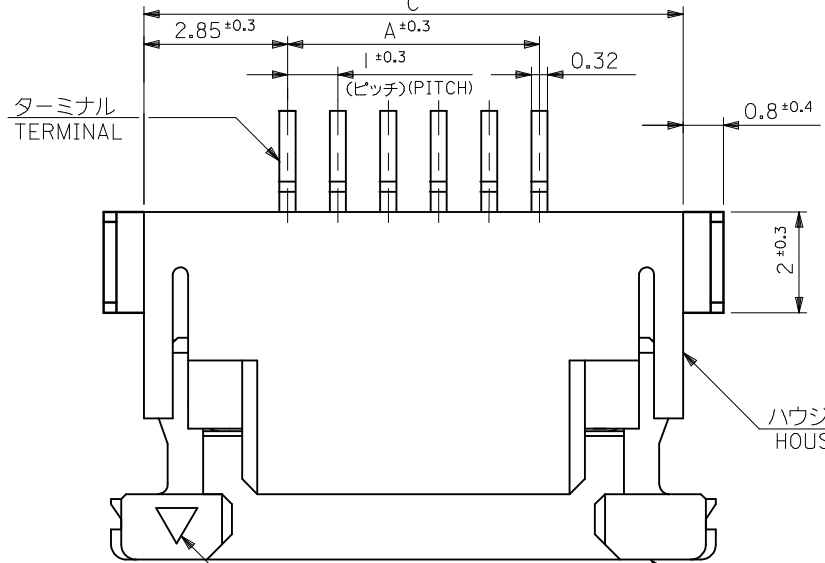


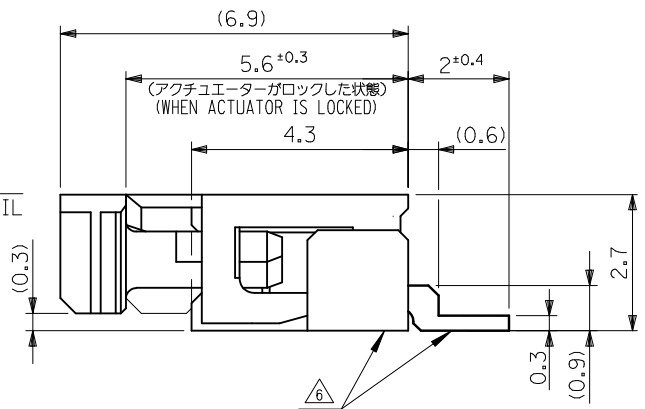
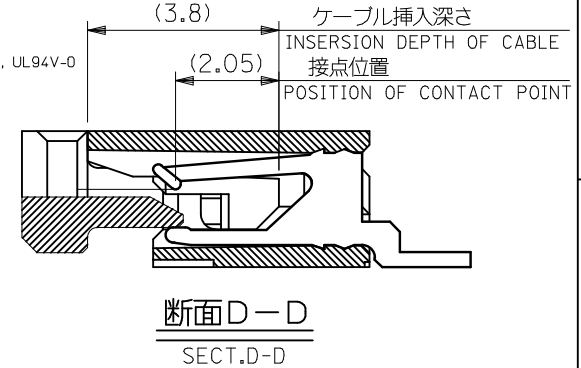
ターミナル
TERMINAL

回路番号1用マーク
CKT. NO.1 MARK



注記 (NOTE) :

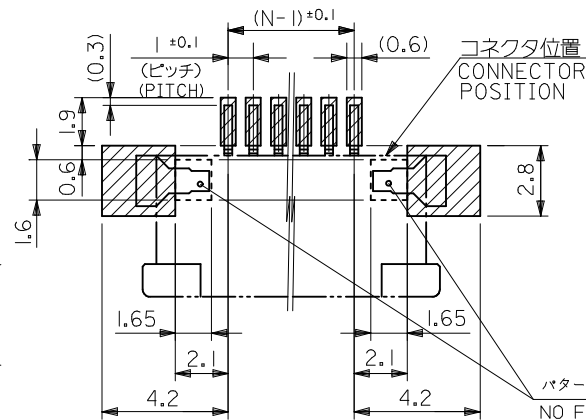
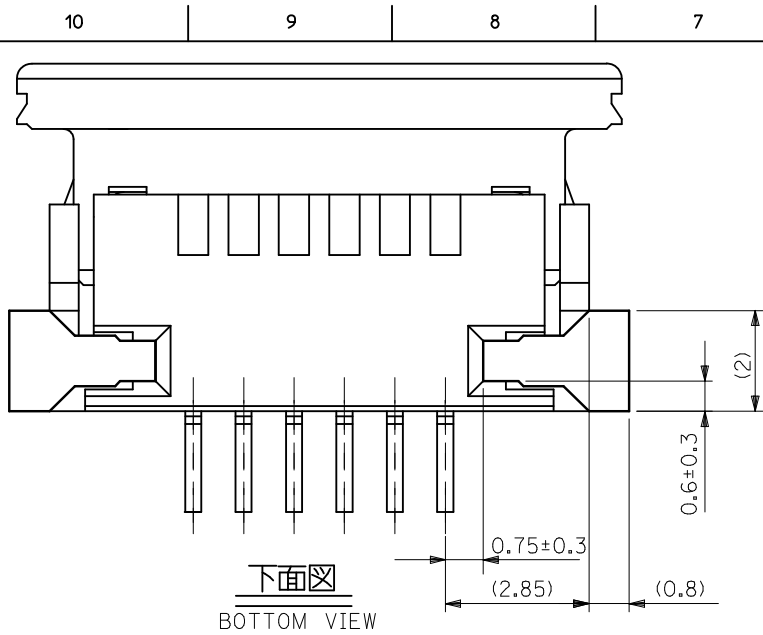
1. 材質 MATERIAL
 ハウジング: ポリアミド (PA), ナチュラル (白色), ガラス充填, UL94V-0
 HOUSING: POLYAMIDE, NATURAL (WHITE), GLASS FILLED, UL94V-0
 アクチュエーター: ポリフェニレンサルファイド (PPS), ナチュラル (茶色), ガラス充填, UL94-V0
 ACTUATOR: POLYPHENYLENE SULFIDE, NATURAL (BROWN), GLASS FILLED, UL94-V0
 ターミナル: リン青銅 (1±0.32)
 TERMINAL: PHOSPHOR BRONZE (1±0.32)
 ネイル (補強金具): リン青銅 (1±0.25)
 FITTING NAIL: PHOSPHOR BRONZE (1±0.25)
2. めっき仕様 PLATING
 ターミナル TERMINAL
 鍍銀 (ニッケルめっき (1.0µm以上))
 TIN SILVER BISMUTH PLATING (1.0 MICROMETER MINIMUM)
 下地: ニッケルめっき (1.0µm以上)
 UNDER PLATE: NICKEL PLATING (1.0 MICROMETER MINIMUM)
 ネイル (補強金具) FITTING NAIL
 めっき (1.0µm以上)
 TIN PLATING (1.0 MICROMETER MINIMUM)
 下地: ニッケルめっき (1.0µm以上)
 UNDER PLATE: NICKEL PLATING (1.0 MICROMETER MINIMUM)
3. CO.3はFPC/FFCの導体部にかからないこと
 CO.3 MUST NOT BE OVERLAPPED TO PATTERN OF FPC/FFC.
4. エンボス型で構成時は、アクチュエーターがロックした状態とする。
 IN THE PACKAGE, ACTUATOR SHOULD BE LOCKED.
5. フィッティングネイルは、剥離防止用金具
 FITTING NAIL FOR PREVENTION OF PEELING OF P.C.B. PATTERN.
6. ソルダレール半田付け面、及び金具半田付け面の平坦度: 0.15mm MAX.
 COPLANARITY OF SOLDER TAILS AND FITTING NAILS TO BE 0.15mm MAX.
7. ELV及びRoHS適合品
 ELV AND RoHS COMPLIANT



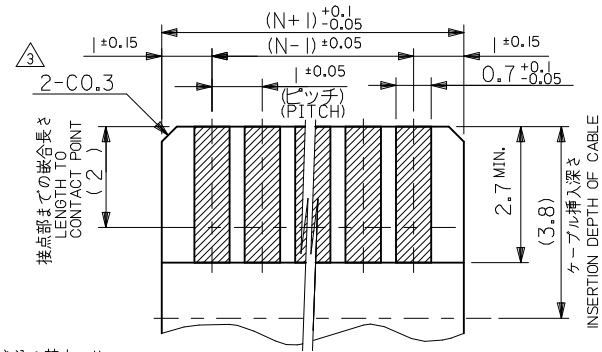
38.7	35.2	33	52207-3433	34
34.7	31.2	29	-3033	30
33.7	30.2	28	-2933	29
32.7	29.2	27	-2833	28
31.7	28.2	26	-2733	27
30.7	27.2	25	-2633	26
29.7	26.2	24	-2533	25
28.7	25.2	23	-2433	24
27.7	24.2	22	-2333	23
26.7	23.2	21	-2233	22
25.7	22.2	20	-2133	21
24.7	21.2	19	-2033	20
23.7	20.2	18	-1933	19
22.7	19.2	17	-1833	18
21.7	18.2	16	-1733	17
20.7	17.2	15	-1633	16
19.7	16.2	14	-1533	15
18.7	15.2	13	-1433	14
17.7	14.2	12	-1333	13
16.7	13.2	11	-1233	12
15.7	12.2	10	-1133	11
14.7	11.2	9	-1033	10
13.7	10.2	8	-0933	9
12.7	9.2	7	-0833	8
11.7	8.2	6	-0733	7
10.7	7.2	5	-0633	6
9.7	6.2	4	-0533	5
8.7	5.2	3	-0433	4
7.7	4.2	2	52207-0333	3

CONNECTOR SERIES NO: 52207-***22

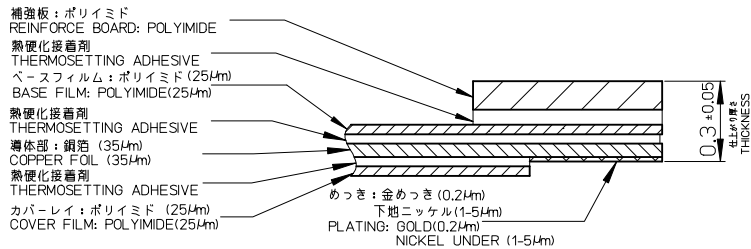
REVISED EC NO: J2013-1133 DRWN: N. SANUMA 2013/04/08 CHKD: K. TAKAHASHI 2013/04/11 APPR: K. MORIKAWA 2013/04/16	GENERAL TOLERANCES (UNLESS SPECIFIED)		DIMENSION STYLE MM ONLY		SCALE ---	DESIGN UNITS METRIC	THIRD ANGLE PROJECTION	
	10 UNDER	±0.2	DRAWN BY JOKAMURA	DATE 2012/09/10	TITLE 1.0 MM FPC CONN. ZIF R/A HOUSING ASSY (UPPER CONTACT)			
	10 OVER 30 UNDER	±0.25	CHECKED BY KTAKAHASHI	DATE 2012/09/11	molex DOCUMENT NO. SD-52207-069 SHEET NO. 1 OF 2			
	30 OVER	±0.3	APPROVED BY KMORIKAWA	DATE 2013/03/15				
ANGULAR	±3 °	MATERIAL NO. SEE CHART						
DRAFT WHERE APPLICABLE MUST REMAIN WITHIN DIMENSIONS		SIZE A3		THIS DRAWING CONTAINS INFORMATION THAT IS PROPRIETARY TO MOLEX INCORPORATED AND SHOULD NOT BE USED WITHOUT WRITTEN PERMISSION				



推奨基板レイアウト
RECOMMENDED P.C.BOARD
PATTERN DIMENSION (REF.)
(マウント面)
(MOUNT SIDE)
マスク厚 : 100 μm
マスク開口率 : 100%
SCREEN THICKNESS : 100 MICROMETER
SCREEN OPEN RATIO : 100%



適合FPC/FFC推奨寸法
APPLICABLE FPC/FFC
RECOMMENDED DIMENSION
(仕上り厚さ : 0.3±0.05)
(THICKNESS : 0.3±0.05)



FPC構成推奨仕様
STRUCTURE OF FPC

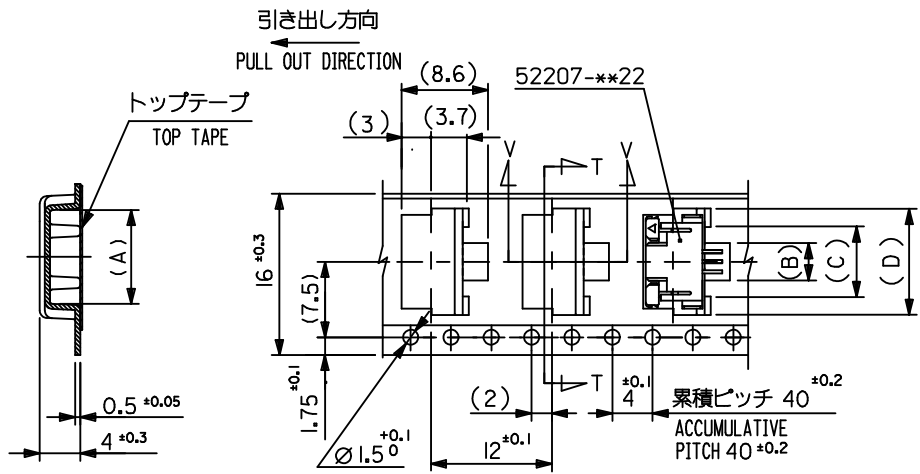
FPC/FFCについて ABOUT FPC/FFC

打ち抜き方向は導体側から補強板側を推奨します。
導体部については軟箔銅35 μmまたは50 μmを推奨します。
RECOMMENDED PUNCHING DIRECTION: FROM CONDUCTOR SIDE TO STIFFENER SIDE
RECOMMENDED CONDUCTOR SPEC: SOFT COPPER FOIL
RECOMMENDED CONDUCTOR THICKNESS: 35 MICROMETER OR 50 MICROMETER

FPCについて ABOUT FPC

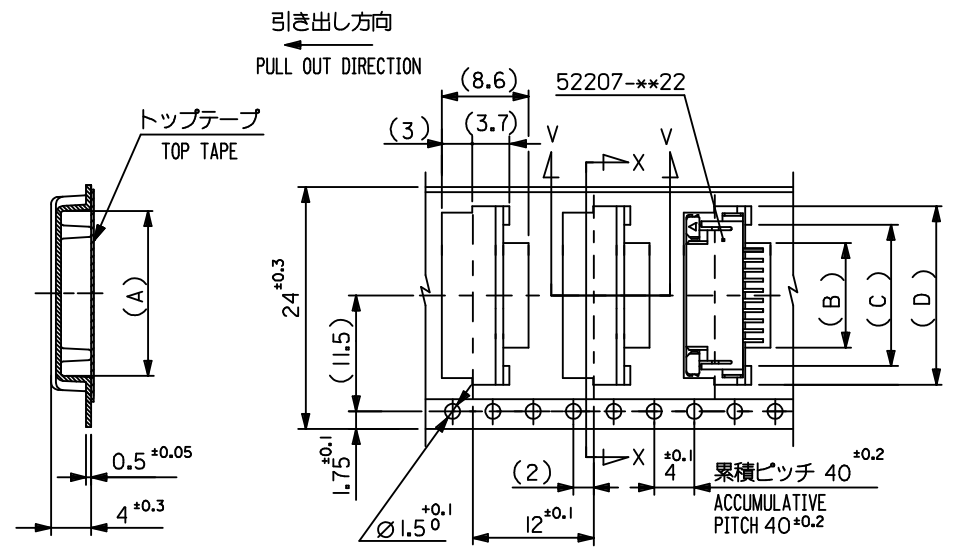
補強フィルム材質はポリイミドを推奨します。ベースフィルムは25 μmを推奨します。
接着剤は熱硬化接着剤を推奨します。
尚、接着剤の接点部への付着は導通不良の原因になりますので、染み出しが無い様、お願い致します。
RECOMMENDED STIFFENER MATERIAL: POLYIMIDE
RECOMMENDED BASE FILM THICKNESS: 25 MICROMETER
RECOMMENDED ADHESIVE: THERMOSETTING ADHESIVE
NOTE: PLEASE PUT APPROPRIATE AMOUNT OF ADHESIVE ON ADHEREND BECAUSE THERE IS A POSSIBILITY THAT THE EXTRA ADHESIVE CAUSES THE DEFECT IN ELECTRICAL CONTINUITY.

SEE SHEET 1 OF 2 EC NO.: J2013-1133 DRWN:NASUNUMA 2013/04/10 CHKD:KTAKAHASHI 2013/04/11 APPR:KMORIKAWA 2013/04/16	DESCRIPTION	GENERAL TOLERANCES (UNLESS SPECIFIED)		DIMENSION STYLE MM ONLY		SCALE ---	DESIGN UNITS METRIC	THIRD ANGLE PROJECTION	
		10 UNDER	±0.2	DRAWN BY JOKAMURA	DATE 2012/09/10	TITLE 1.0 MM FPC CONN. ZIF R/A HOUSING ASSY (UPPER CONTACT)			
		10 OVER 30 UNDER	±0.25	CHECKED BY KTAKAHASHI	DATE 2012/09/11				
		30 OVER	±0.3	APPROVED BY KMORIKAWA	DATE 2013/03/15				
ANGULAR	±3 °	DRAFT WHERE APPLICABLE MUST REMAIN WITHIN DIMENSIONS		SEE CHART		MATERIAL NO.	DOCUMENT NO. SD-52207-069	SHEET NO. 2 OF 2	
A	REV	THIS DRAWING CONTAINS INFORMATION THAT IS PROPRIETARY TO MOLEX INCORPORATED AND SHOULD NOT BE USED WITHOUT WRITTEN PERMISSION							



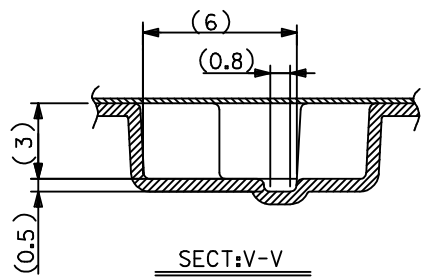
SECT:T-T

16mm 幅 キャリアテープ
16mm WIDTH CARRIER TAPE



SECT:X-X

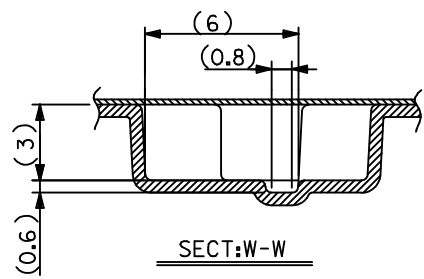
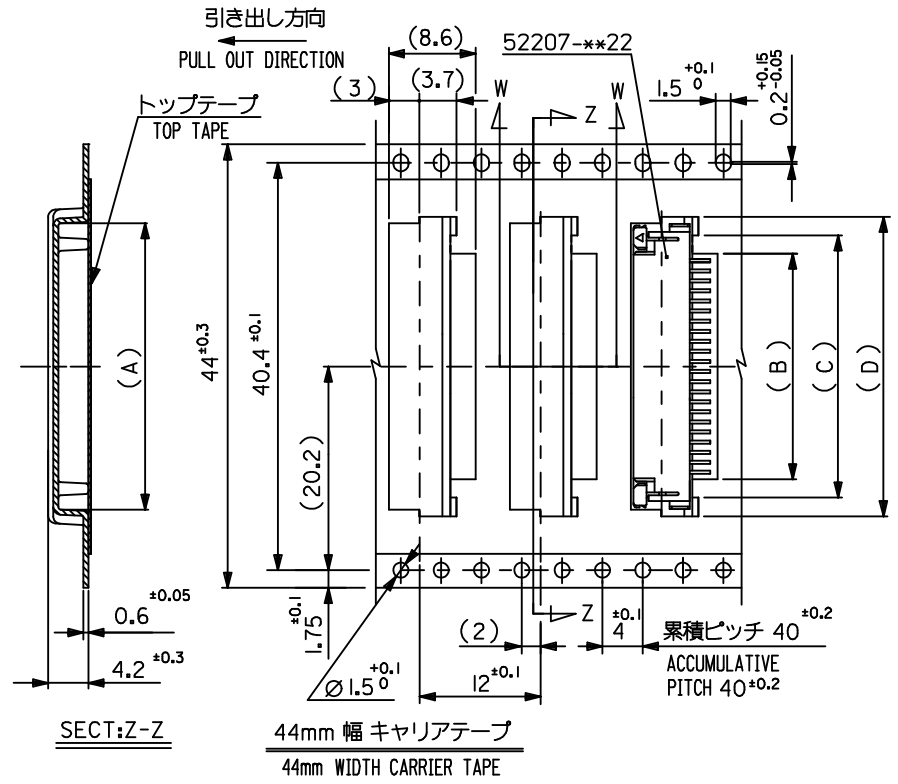
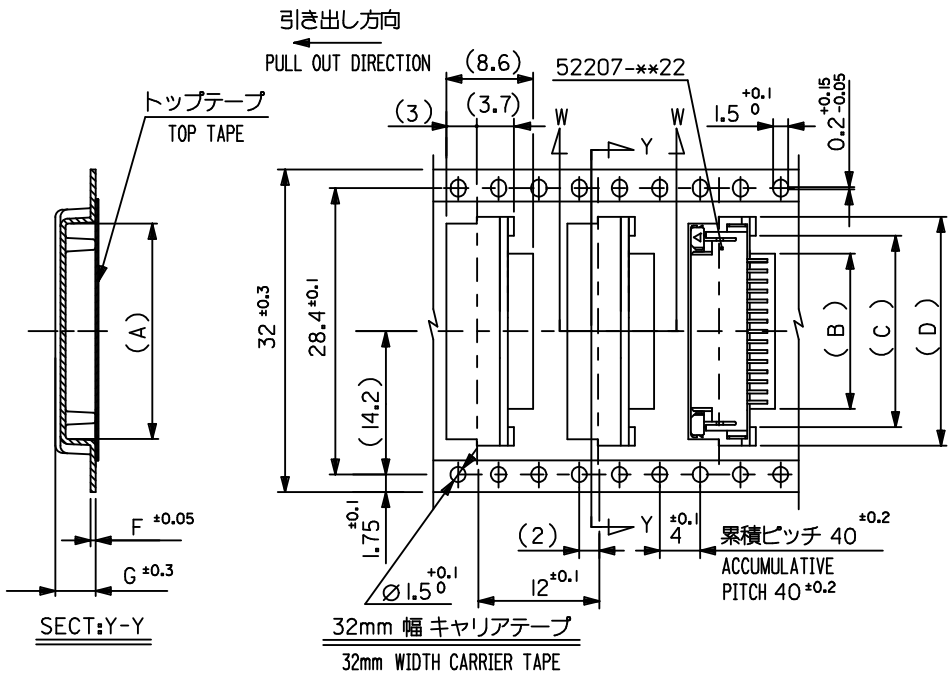
24mm 幅 キャリアテープ
24mm WIDTH CARRIER TAPE



SECT:V-V

24	29.4	25.4	18.5	15	11.7	17.3	52207-1133	11	
			17.5	14	10.7	16.3	4 -1033	10	
			16.5	13	9.7	15.3	-0933	9	
			15.5	12	8.7	14.3	-0833	8	
			14.5	11	7.7	13.3	-0733	7	
			13.5	10	6.7	12.3	-0633	6	
			12.5	9	5.7	11.3	-0533	5	
			11.5	8	4.7	10.3	7 -0433	4	
52207-**-33	16	21.4	17.4	10.5	7	3.7	9.3	52207-0333	3
MODEL NO.	キャリアテープ幅 CARRIER TAPE WIDTH	H	E	(D)	(C)	(B)	(A)	MATERIAL NO.	極致 CKT.

RELEASED EC NO: J2013-1002 DRWN:NASUNUMA 2012/09/21 CHKD:KAKAHASHI 2013/03/14 APPR:KMORIKAWA 2013/03/15	DESCRIPTION REV: 0	GENERAL TOLERANCES (UNLESS SPECIFIED)		DIMENSION STYLE MM ONLY		SCALE ---	DESIGN UNITS METRIC	THIRD ANGLE PROJECTION		
		10 UNDER	±0.2	DRAWN BY	DATE	TITLE EMBOSS TAPE PACKAGED FOR 1.0 MM FPC CONN ZIF R/A HOUSING ASSY				
		10 OVER 30 UNDER	±0.25	CHECKED BY	DATE	molex DOCUMENT NO. SD-52207-070 SHEET NO. 1 OF 3				
		30 OVER	±0.3	APPROVED BY	DATE					
		ANGULAR ±3 °		DRAFT WHERE APPLICABLE MUST REMAIN WITHIN DIMENSIONS		MATERIAL NO.		SEE CHART		
THIS DRAWING CONTAINS INFORMATION THAT IS PROPRIETARY TO MOLEX INCORPORATED AND SHOULD NOT BE USED WITHOUT WRITTEN PERMISSION										

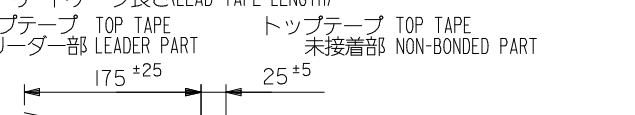


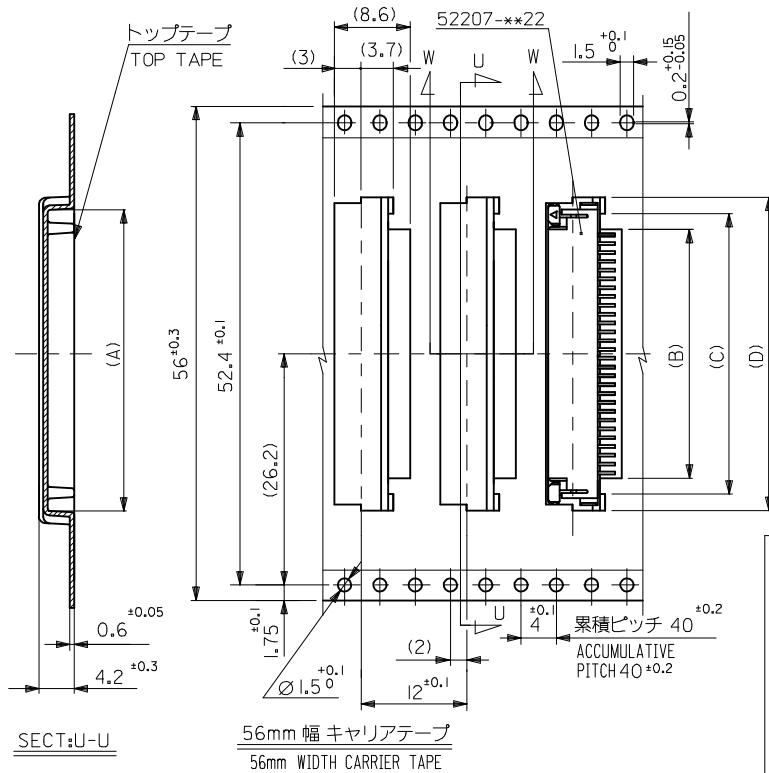
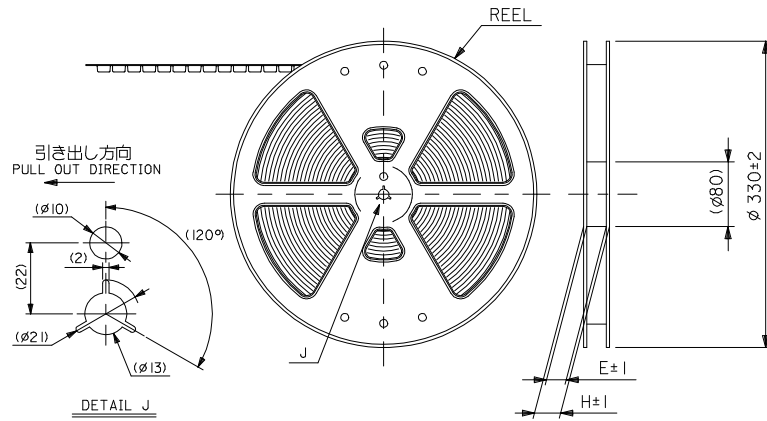
32	37.4	33.4	4.0	0.5	23.5	20	16.7	22.35	52207-1633	16
			4.2	0.6	22.5	19	15.7	21.35	4-1533	15
			4.2	0.6	21.5	18	14.7	20.35	-1433	14
			4.2	0.6	20.5	17	13.7	19.35	7-1333	13
			4.2	0.6	19.5	16	12.7	18.35	52207-1233	12
キャリアテープ幅 CARRIER TAPE WIDTH	H	E	(G)	(F)	(D)	(C)	(B)	(A)	MATERIAL NO.	極数 CKT.

44	49.4	45.4	34.5	31	27.7	33.35	52207-2733	27
			33.5	30	26.7	32.35	4-2633	26
			32.5	29	25.7	31.35	-2533	25
			31.5	28	24.7	30.35	-2433	24
			30.5	27	23.7	29.35	-2333	23
			29.5	26	22.7	28.35	-2233	22
			28.5	25	21.7	27.35	-2133	21
			27.5	24	20.7	26.35	-2033	20
			26.5	23	19.7	25.35	-1933	19
			25.5	22	18.7	24.35	7-1833	18
			24.5	21	17.7	23.35	52207-1733	17
キャリアテープ幅 CARRIER TAPE WIDTH	H	E	(D)	(C)	(B)	(A)	MATERIAL NO.	極数 CKT.


SEE SHEET 1 OF 3 EC NO.: J2013-1002 DRWN:NASUNUMA 2012/09/21 CHKD:KAKAHASHI 2013/03/14 APPR:KMORIKAWA 2013/03/15	GENERAL TOLERANCES (UNLESS SPECIFIED)	DIMENSION STYLE MM ONLY	SCALE ---	DESIGN UNITS METRIC	THIRD ANGLE PROJECTION
	10 UNDER ±0.2	DRAWN BY NASUNUMA	DATE 2012/09/21	TITLE EMBOSSD TAPE PACKAGED 1.0 MM FPC CONN ZIF R/A HOUSING ASSY	
	10 OVER 30 UNDER ±0.25	CHECKED BY KAKAHASHI	DATE 2013/03/14		
	30 OVER ±0.3	APPROVED BY KMORIKAWA	DATE 2013/03/15		
	ANGULAR ±3 °	DRAFT WHERE APPLICABLE MUST REMAIN WITHIN DIMENSIONS		SEE CHART	DOCUMENT NO. SD-52207-070
SIZE A3	THIS DRAWING CONTAINS INFORMATION THAT IS PROPRIETARY TO MOLEX INCORPORATED AND SHOULD NOT BE USED WITHOUT WRITTEN PERMISSION				

注記

- 製品番号52207-**22の梱包状態は、アクチュエータがロックした状態とする。
 詳細寸法については、図面SD-52207-069を参照ください
 IN THE PACKAGE, ACTUATOR OF PART NO.52207-**22 SHOULD BE LOCKED
 RE DETAILED DIMENSIONS, SEE SD-52207-069.
- 梱包数量：1000個/リール
 NUMBER OF CONNECTORS : 1000PCS/REEL
- リードテープ長さ(LEAD TAPE LENGTH)
 トップテープ TOP TAPE トップテープ TOP TAPE
 リーダー部 LEADER PART 未接着部 NON-BONDED PART

- カバーテープの剥離強度については、IEC60286-3に準拠
 COVER TAPE PEEL FORCE IS DEFINED BY IEC60286-3.
- 材料 (MATERIAL)
 キャリアテープ (CARRIER TAPE) : ポリプロピレン (POLYPROPYLENE)
 トップテープ (TOP TAPE) : PET, PE, PEF
 リール (REEL) : ポリスチレン (PS) <リサイクル材を含む>
 POLYSTYRENE (PS) <RECYCLE MATERIAL CONTAINED>
- 本製品は乾燥剤入り、ハイバリア梱包仕様である。
 THIS PRODUCT IS HIGH BARRIER PACKAGE WITH DESICCANT.
- ELV及びRoHS適合品
 ELV AND RoHS COMPLIANT.



52207-**33	MODEL NO.	キャリアテープ幅 CARRIER TAPE WIDTH	H	E	(D)	(C)	(B)	(A)	41.5	38	34.7	40.35	52207-3433	34
									37.5	34	30.7	36.35	52207-3033	30
									36.5	33	29.7	35.35	52207-2933	29
									35.5	32	28.7	34.35	52207-2833	28
									MATERIAL NO.	極致 CKT.				

SEE SHEET 1 OF 3 EC NO: J2013-1002 DRWN:NASUNUMA 2012/09/21 CHKD:KAKAHASHI 2013/03/14 APPR:KMORIKAWA 2013/03/15	DESCRIPTION REV: O	GENERAL TOLERANCES (UNLESS SPECIFIED)		DIMENSION STYLE MM ONLY		SCALE ---	DESIGN UNITS METRIC	THIRD ANGLE PROJECTION		
		10 UNDER	±0.2	DRAWN BY NASUNUMA	DATE 2012/09/21	TITLE EMBOSSED TAPE PACKAGED 1.0 MM FPC CONN ZIF R/A HOUSING ASSY				
		10 OVER 30 UNDER	±0.25	CHECKED BY KAKAHASHI	DATE 2013/03/14					
		30 OVER	±0.3	APPROVED BY KMORIKAWA	DATE 2013/03/15					
ANGULAR ±3 °		DRAFT WHERE APPLICABLE MUST REMAIN WITHIN DIMENSIONS		SEE CHART		DOCUMENT NO. SD-52207-070		SHEET NO. 3 OF 3		
SIZE A3 THIS DRAWING CONTAINS INFORMATION THAT IS PROPRIETARY TO MOLEX INCORPORATED AND SHOULD NOT BE USED WITHOUT WRITTEN PERMISSION										