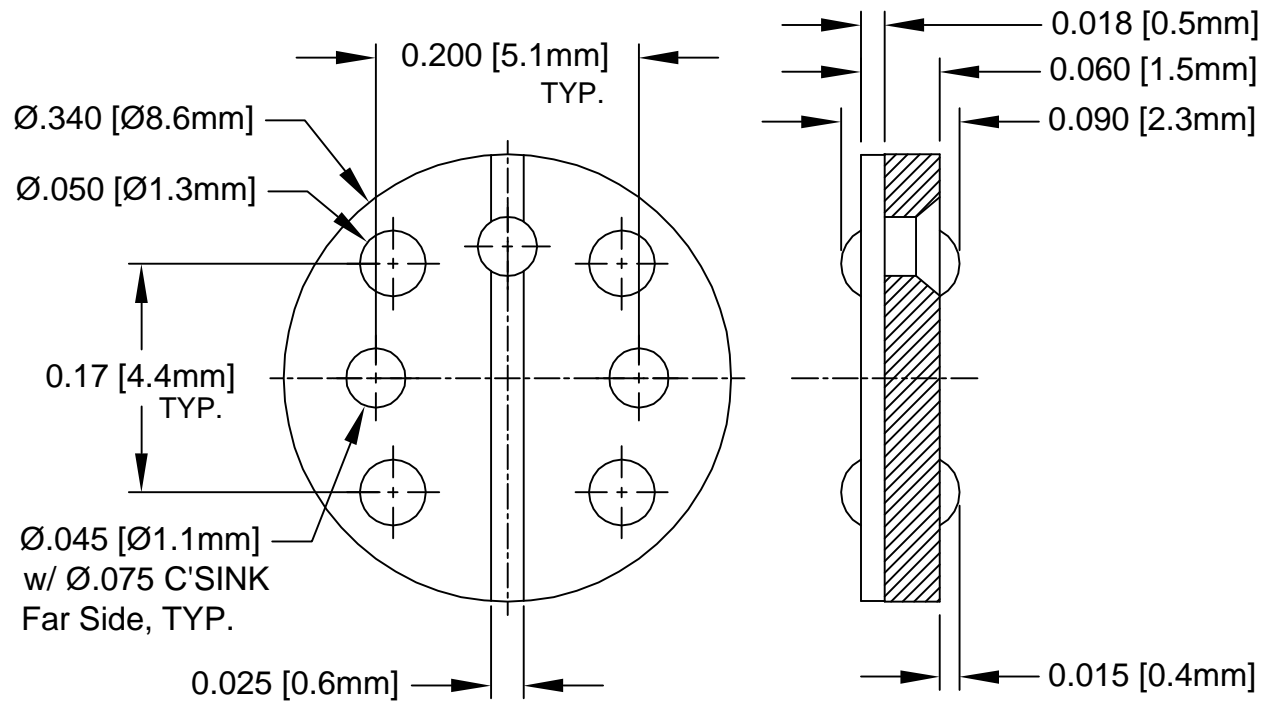



REV.	DESCRIPTION	DATE	APPROVED
B	Engineering Update w/o Changes	02/23/04	M. C.



- MATERIAL: NYLON 6/6, 94V-2, WHITE. BIVAR MATERIAL CODE 04-WE.
BASF ULTRAMID NYLON 6/6 A3K WHITE.
- GENERAL SPECIFICATIONS: BIVAR MOLDED COMPONENT SPECIFICATION BV00-E101.

STANDARD TOLERANCE (UNLESS OTHERWISE SPECIFIED)		 4 THOMAS, IRVINE, CA. 92618 TEL: (949) 951-8808 FAX: (949) 951-3974			
DECIMALS	ANGULAR	TITLE: PERM-O-PAD TO-5 AND IC MOUNT PART NO: 517-095 REVISION: B			
.X $\pm .1$	$X^\circ \pm 1^\circ$				
.XX $\pm .01$					
.XXX $\pm .005$		DESIGNED: Shane Irving	DATE: 01/23/02	CAGE CODE : 32559	SHEET # 1 OF 1
CHECKED: M. Chen	DATE: 01/23/02	CAD GENERATED DOCUMENT, DO NOT MEASURE DRAWING.			