

- Clean, Uncluttered Look
- Maximum Readability in Minimum Required Height
- Two Popular Sizes: 3-1/2", 4-1/2"
- Calibration Not Affected When Mounted on Steel Panels
- Phenolic Cases with Glass Windows



Model Number	Size	Meter Movement
523	3-1/2"	Annular
524	4-1/2"	Annular

Look to the Designer Series for use in today's compact equipment designs - without sacrificing readability. The professionally styled Designer meters offered by Simpson take up less than 3" of panel height, yet the scale is over 3-1/2" long.

With a black phenolic case and glass window for optimum viewing, the Designer has a red knife-edge pointer, providing

excellent readability and $\pm 2\%$ full scale (F.S.) accuracy. The 3-1/2 inch and 4-1/2 inch sizes available feature self-shielding meter movement that prevents interaction between the meter and a steel panel.

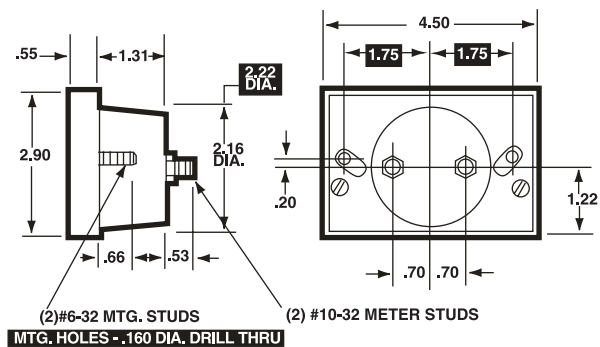
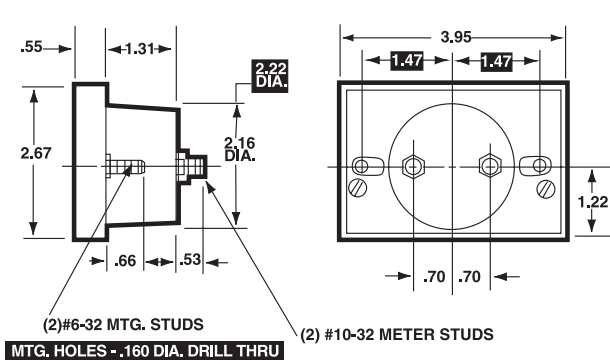
This style meter is ideal for many other electrical functions. See the "Function Reference Table."

Dimensions and Compatibility

3-1/2"-Model 523

1 = Panel Meter Cut-out Dimensions

4-1/2"-Model 524



Compatibility Reference Table

Manufacturer	Size/Model	
	3-1/2"	4-1/2"
Hoyt	2135	2145
Triplett G Series	320-R	420-R

Specifications

Accuracy:	±2% F.S.
Movement:	Annular, self-shielding
Suspension:	Pivot and jewel
Tracking:	±3%
Shielding:	Calibration is unaffected by magnetic panel mounting.
Response Time:	1.5 seconds maximum
Overload (1 sec.):	10 times F.S.
Overload (Continuous):	1.5 times F.S.
Repeatability:	2%
Dial:	White with black printing. Each dial arc is calibrated to track the specific type of movement used.

Case:	Black phenolic with glass window
Resistance:	±15%
Operating Temperature:	-4°F to +149°F (-20°C to +65°C)
Pointer:	Red, knife-edge
Scale Length:	Model 523: 2.92" (74.2mm) Model 524: 3.25" (82.5mm)
Net Weight:	Model 523: 9oz (0.26kg) Model 524: 10oz (0.28kg)

Ordering Information

DC Microammeters Self-Shielding Meter Movement

Range	Approx. Impedance (Ohms)	Model/Size and Catalog Number	
		3-1/2" Model 523	4-1/2" Model 524
0-15	1960	15014	15092
0-25	2100	15015	15085
0-50	1800	15017	15087
0-100	1800	15019	15089
0-200	1100	15021	15091
0-500	90	15022	15093
25-0-25	1800	15023	15094
50-0-50	1800	15025	15095
100-0-100	1100	15027	15097
500-0-500	43	15024	15096

DC Milliammeters Self-Shielding Meter Movement

Range	Approx. Impedance (Ohms)	Model/Size and Catalog Number	
		3-1/2" Model 523	4-1/2" Model 524
0-1	43.0	15000	15070
0-5	2100	15001	15076
0-10	1800	15002	15077
0-50	1800	15003	15078
0-100	1100	15010	15080
0-200	90	15004	15079
0-300	1800	15012	15081
0-500	1800	15013	15082

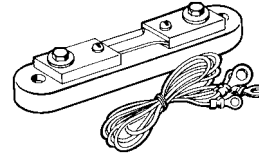
DC Current Meters Self-Shielding Meter Movement

Range	Approx. Impedance (Ohms)	Model/Size and Catalog Number	
		3-1/2" Model 523	4-1/2" Model 524
0-1	.050	15031	15101
0-3	.0166	15032	15102
0-5	.010	15033	15103
0-10	.005	15030	15100
0-15	.0033	15034	15104
0-25	.0020	15035	15105
0-50	.001	15036	15106

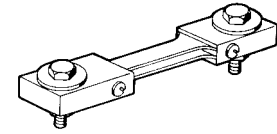
Accessories

External Portable and Switchboard Shunts

Portable



Switchboard



These shunts are adjusted for a 50 millivolt drop for use with switchboard and panel current meters where external shunts are required. Portable shunts have a phenolic base and accept up to 200 amps. Accuracy ±1%, 5' leads (0.065Ω resistance) included.

Switchboard 50mV Shunts

Range	Cat. Number
100	06500
150	06503
200	06504
250	06505
300	06506
400	06507
500	06508

Portable 50mV Shunts

Range	Cat. Number
1	06700
5	06703
10	06704
15	06705
25	06707
30	06708
50	06709
75	06711
100	06713
150	06714
200	06715

Portable 100mV Shunts

Amps	Cat. Number
10	06716
100	06717

5' leads not included

Function Reference Table

For your convenience, the table below lists Designer models for other electrical monitoring functions with page number reference.

Function	Section	Page
AC Current	E	21
AC Voltage	E	41
DC Voltage	E	81