

RoHs COMPATIBLE PRODUCT NUMBER

54121-XXXXXXXXLF

STANDARD PRODUCT NUMBER

54121-XXX-XX-XXXX

PLATING

- 1 = 0.76µm GOLD/GXT ON CONTACT AREA
2µm MIN MATTE TIN ON TAIL
OVER 1.27µm Ni MIN
- 8 = 0.38µm GOLD/GXT ON CONTACT AREA
2µm MIN MATTE TIN ON TAIL
OVER 1.27µm Ni MIN
- 4 = 2µm MIN MATTE TIN
OVER 1.27µm Ni MIN

- INDICATES THE PRODUCT IS RoHs COMPATIBLE
SEE NOTE 8
- STACK HEIGHT
NOTE 6
- TOTAL NB OF POSITIONS
02 TO 36

PLATING

- 1 = 0.76µm GOLD/GXT ON CONTACT AREA
3.81µm TIN/LEAD ON TAIL
OVER 1.27µm Ni MIN
- 8 = 0.38µm GOLD/GXT ON CONTACT AREA
3.81µm TIN/LEAD ON TAIL
OVER 1.27µm Ni MIN
- 4 = TIN LEAD
OVER 1.27µm Ni MIN

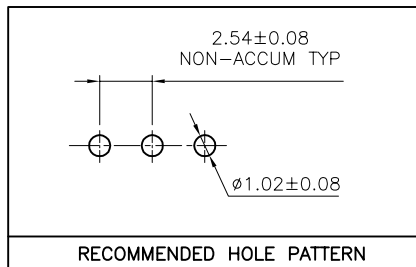
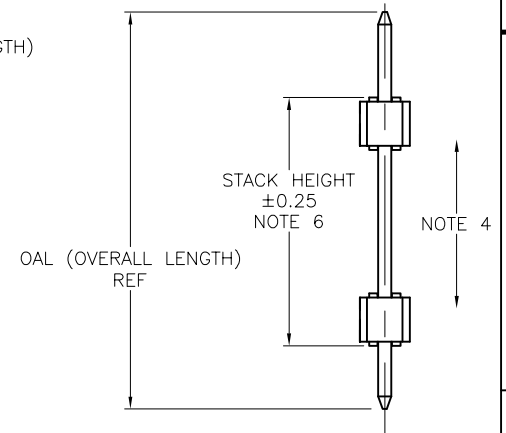
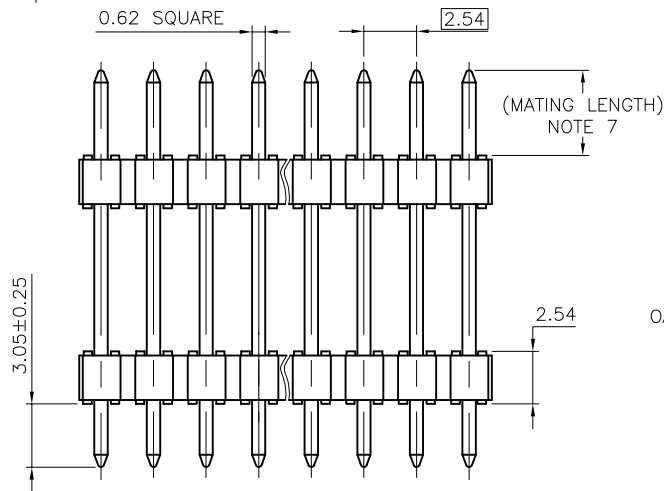
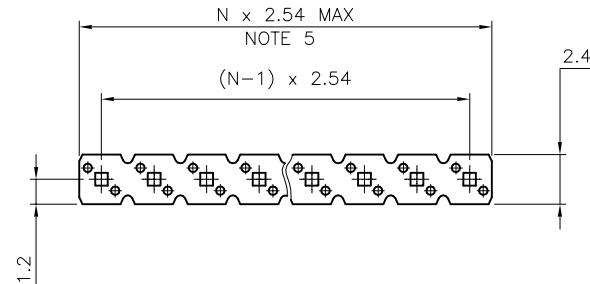
- STACK HEIGHT
NOTE 6
- TOTAL NB OF POSITIONS
02 TO 36

NOTES:

1. HOUSING MAT'L : HIGH TEMPERATURE THERMOPLASTIC. UL94V-0 COLOR: BLACK
2. PIN MATERIAL : PHOSPHOR BRONZE
3. PRODUCT PACKAGED IN PLASTIC BOX
4. 9N MIN RETENTION IN EITHER DIRECTION
5. TO DETERMINE DIMENSIONS :
N = NUMBER OF POSITIONS PER ROW
EXAMPLE : 8 POS PER ROW, N x 2.54 = 20.32mm
6. XXXX = MILLIMETERS
SPECIFY MILLIMETERS
8mm MIN TO 25.0mm MAX AVAILABLE
IN 0.5mm INCREMENT
EXAMPLE FOR STACK HEIGHT: 1 2 5 0 = 12.5mm
7. MATING LENGTH = (OAL)-(3.05)-(STACK HEIGHT)
8. RoHs COMPATIBLE PRODUCT SPECIFICATIONS

- a - PLATING:
 - "LF" MEANS THE PRODUCT IS LEAD-FREE,
2µm MINIMUM MATTE TIN OVER 1.27µm
MINIMUM NICKEL UNDERPLATE.
- b - MANUFACTURING PROCESS COMPATIBILITY
 - THE HOUSING WILL WITHSTAND EXPOSURE TO
260°C ±5°C SOLDER BATH TEMPERATURE FOR
5 SECONDS IN A WAVE SOLDER APPLICATION
WITH A 1.6mm MIN THICK CIRCUIT BOARD.
- c - LABELLING:
 - MEETS PACKAGING SPECS AS PER GS-14-920
- d - THIS PRODUCT MEETS EUROPEAN UNION DIRECTIVES
AND OTHER COUNTRY REGULATIONS AS DESCRIBED
IN GS-22-008

| PIN STYLE | OAL |
|-----------|-------|
| 01 | 12.2 |
| 02 | 13.5 |
| 03 | 15.9 |
| 04 | 16.76 |
| 05 | 17.65 |
| 06 | 18.91 |
| 07 | 20.96 |
| 08 | 23.5 |
| 09 | 26.04 |
| 10 | 28.58 |
| 11 | 31.12 |
| 12 | 33.66 |
| 13 | 34 |
| 14 | 26.42 |
| 15 | 16.56 |
| 16 | 36.2 |
| 18 | 28 |
| 19 | 22.40 |
| 20 | 30.48 |



| | | | | | | | | | |
|-------------|----------------|----------|----------|---------------------------------------|-------------|------------|--|-----------------------|--|
| mat'l. code | | surface | | tolerance | | projection | | product family | |
| SEE NOTES | | ISO 1302 | | ISO 406 ISO 1101 | | mm | | BERGSTIK | |
| ltr | ecn no | dr | date | tolerances unless otherwise specified | | mm | | title | |
| A | F10119 | DLE | 01.01.24 | angles | x.xx ±0.3 | mm | | UNSHR.HEADER | |
| B | F10305 | JCO | 01.05.03 | linear | x.xx ±0.13 | mm | | STR SR TMT | |
| C | F03-0227 | DLE | 03.06.13 | | x.xxx ±0.05 | scale 4:1 | | dwg no | |
| D | F04-0385 | LMU | 04.12.16 | dr | D.LE | 01.01.24 | | sheet 1 of 1 size | |
| E | F06-0196 | LMU | 06.06.13 | engr | JM.C | 01.01.24 | | 54121 A3 | |
| F | F08-0148 | RTR | 08.03.31 | chr | JM.C | 01.01.24 | | type CUSTOMER Drawing | |
| G | F11-0034 | LMU | 11.03.03 | appd | JF.N | 01.01.24 | | | |
| sheet index | revision sheet | | | | | | | | |



Copyright FCI