



**POWER[™]
STRIP/30**



MPCC-2-16-2-L-44-04.00-D-NUS

MPCC SERIES

(5.00 mm) .197" (PWR) (2.00 mm) .079" (SIG)

POWERSTRIP[™]/30 CABLE ASSEMBLY

SPECIFICATIONS

For complete specifications see www.samtec.com?MPCC

Insulator Material:

Black LCP

Contact Material:

Signal: BeCu

Power: Copper Alloy

Plating:

Sn or Au over

50 μ" (1.27 μm) Ni

Current Rating:

Signal Pin (24 AWG):

3.4 A per pin

(4 adjacent pins powered)

Power Pin (14 AWG):

23.2 A per pin

(1 pin powered)

Operating Temp Range:

-10 °C to +105 °C

Voltage Rating:

300 VAC

RoHS Compliant:

Yes

Lead-Free Solderable:

Yes

Mates with:

MPTC

Single or Double Ended

16 or 24 Signal pins

Dual leaf blade contacts

Positive latching system

RECOGNITIONS

For complete scope of recognitions see www.samtec.com/quality



FILE NO. E111594

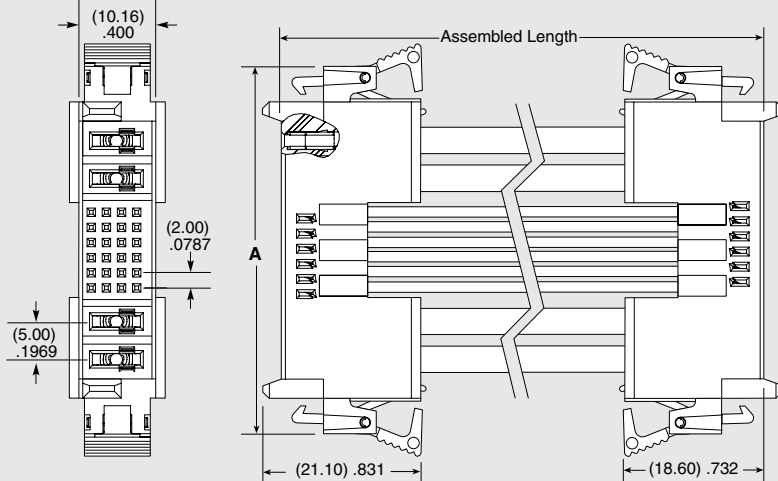
COMPONENTS

- For body, see www.samtec.com?IMSC5
- For contacts, see www.samtec.com?CC81L
www.samtec.com?CC81R
www.samtec.com?CC46L
www.samtec.com?CC46R

MPCC	2	SIG PINS	2	PLATING OPTION	LEAD STYLE	LENGTH	END 1 OPTION	END 2 OPTION
					Specify LEAD STYLE from chart	–“XX.XX” = Assembled Length in Inches (101.60 mm) 04.00" min.	–S = Single End –D = Double End	(Available with –D only) –NUS = Notch up, straight (Pin A1 to Pin AX)

LEAD STYLE	PWR/SIG	AWG
-44	PWR	14
	SIG	24
-46	PWR	14
	SIG	26
-48	PWR	14
	SIG	28
-40	PWR	14
	SIG	30
-64	PWR	16
	SIG	24
-66	PWR	16
	SIG	26
-68	PWR	16
	SIG	28
-60	PWR	16
	SIG	30

SIGNAL PINS	A
16	(44.55) 1.754
24	(48.55) 1.911



Note: Some sizes, styles and options are non-standard, non-returnable.

Due to technical progress, all designs, specifications and components are subject to change without notice.

WWW.SAMTEC.COM

All parts within this catalog are built to Samtec's specifications. Customer specific requirements must be approved by Samtec and identified in a Samtec customer-specific drawing to apply.