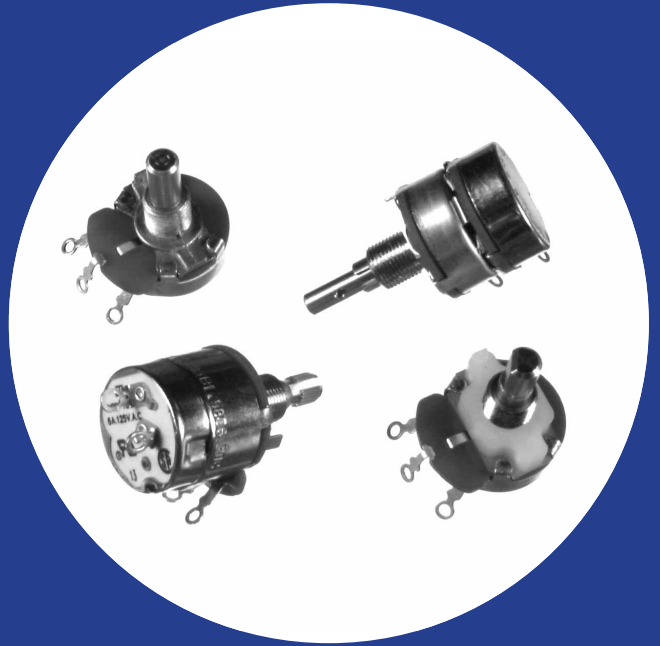


## Commercial 15/16" (24mm) Diameter, 5-Watt, Wirewound Variable Resistors

- Fully enclosed construction
- 5-watt power rating
- Compact size
- Wide resistance range
- Tandem constructions available
- Economical
- Bushing or twist tab mounting
- Available with pull-push and rotary power switches
- L and T pads available



## Electrical and Mechanical Specifications

### Resistance Range

1 ohm through 25K ohms

### Resistance Tolerance

Standard:  $\pm 10\%$

Special:  $\pm 5\%$

### Power Rating, Watts

5 watts @ 25°C, 4 watts @ 55°C, derated to no load at 105°C, linear taper, bushing mounted control on steel panel 4" x 4" x .050" (101.6mm x 101.6mm x 1.27mm). (Derating required on two section controls.)

### Voltage Rating

Bushing to Terminals:

High pot test, one minute — 1,000 VAC

Operating maximum — 500 VDC

Across End Terminals:

350 VDC maximum, load not to exceed wattage rating.

### Resistance Tapers

Standard: Linear

Special: Non-linear available

### Taps

One tap at 50% of resistance and rotation available on resistance values under 5K ohms.

### Power Switches

Available in most constructions.

### Angle of Rotation

Total Rotation:

Without switch —  $300^\circ \pm 5^\circ$

With switch —  $300^\circ \pm 5^\circ$

Effective Rotation:

Without switch —  $280^\circ$  approximate

With switch —  $265^\circ$  approximate

*(continued on next page)*

**Shaft Information**

Diameter: .250" (6.35mm)  
 Length: As required.  
 Trim: Available shaft trim: round, flatted, knurled or with a screwdriver slot

**Radius**

Standard: .438" (11.1mm)  
 Special: .531" (13.5mm) available

**Bushing Information**

\*Diameter: 3/8"-32 UNEF-2A thread.  
 Lengths:  
 Standard bushing: 3/8" (9.53mm) or 1/4" (6.35mm)  
 Special length: Available

\*Metric bushings available. Consult CTS.

**Mounting Hardware**

Available upon request.

**Special Features and Constructions**

Terminals accepting solderless push-on connectors available.

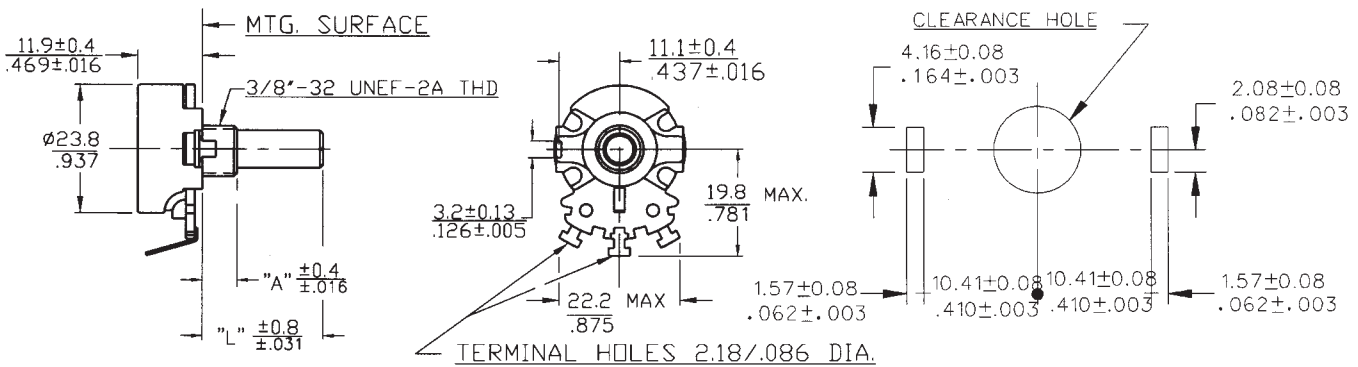
Straight or concentric tandem constructions.

**Locating Lugs**

Standard Position: Left side (with terminals down) supplied, unless otherwise specified.  
 Other Positions: Available with right side only, both left and right, or without lugs.

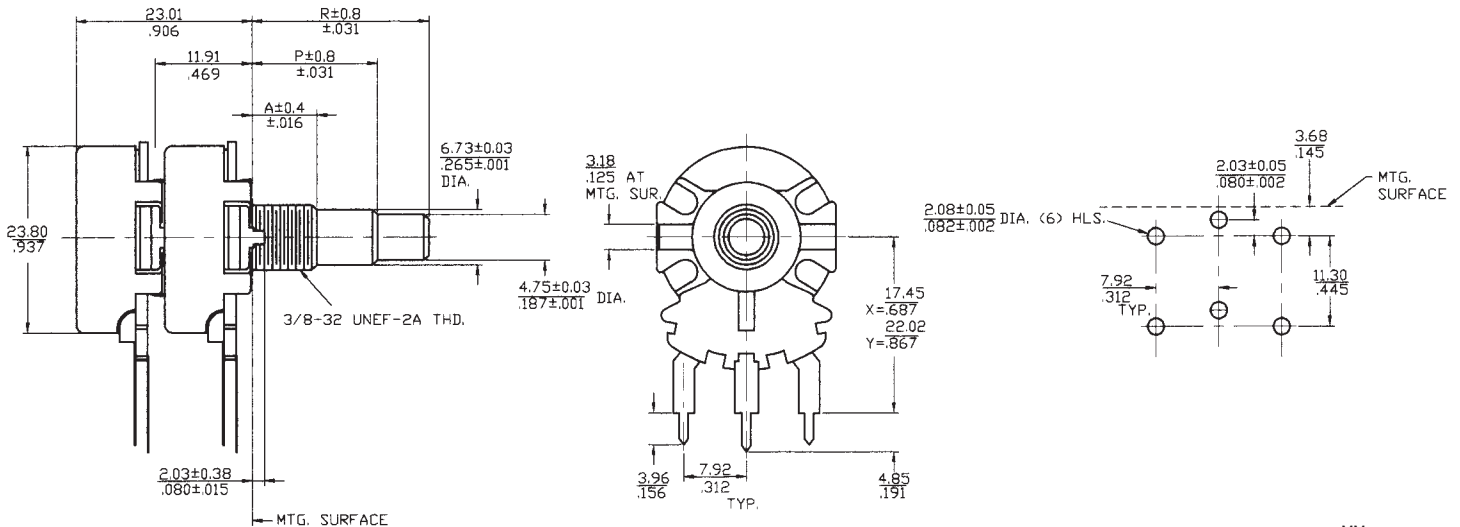
Compatible with 450 series, 15/16" (24mm) diameter, commercial composition variable resistor and can be combined to make any combination of straight or concentric tandem constructions with or without switch.

**T026 Metal Shaft, Bushing Mounting, Type "T" Solder Lug Terminals**



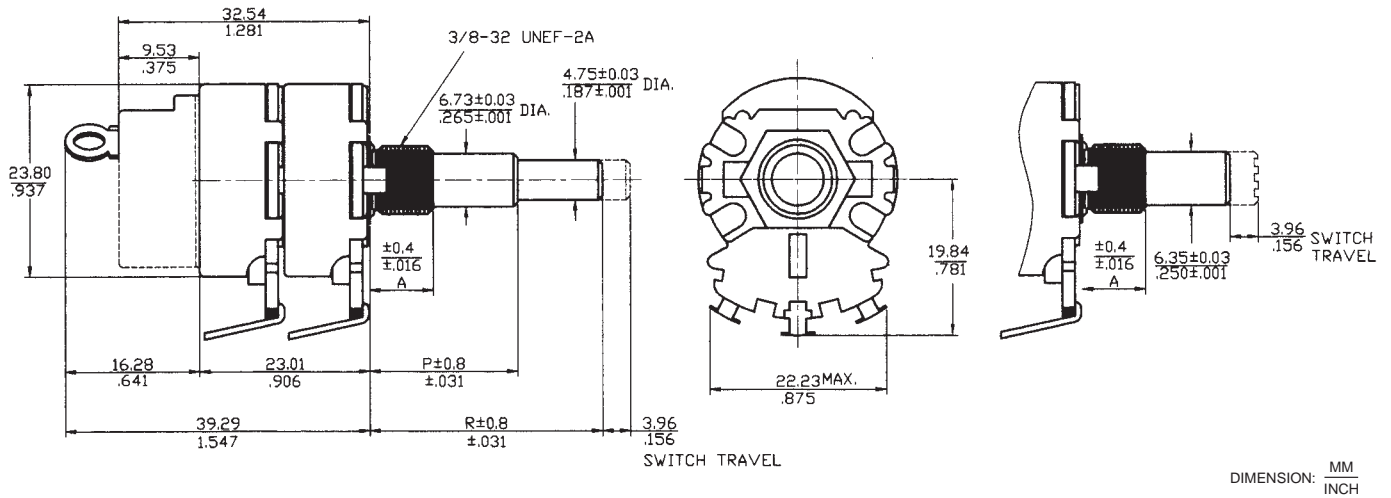
DIMENSION:  $\frac{MM}{INCH}$

**C2-026 Printed Circuit Terminal Options**

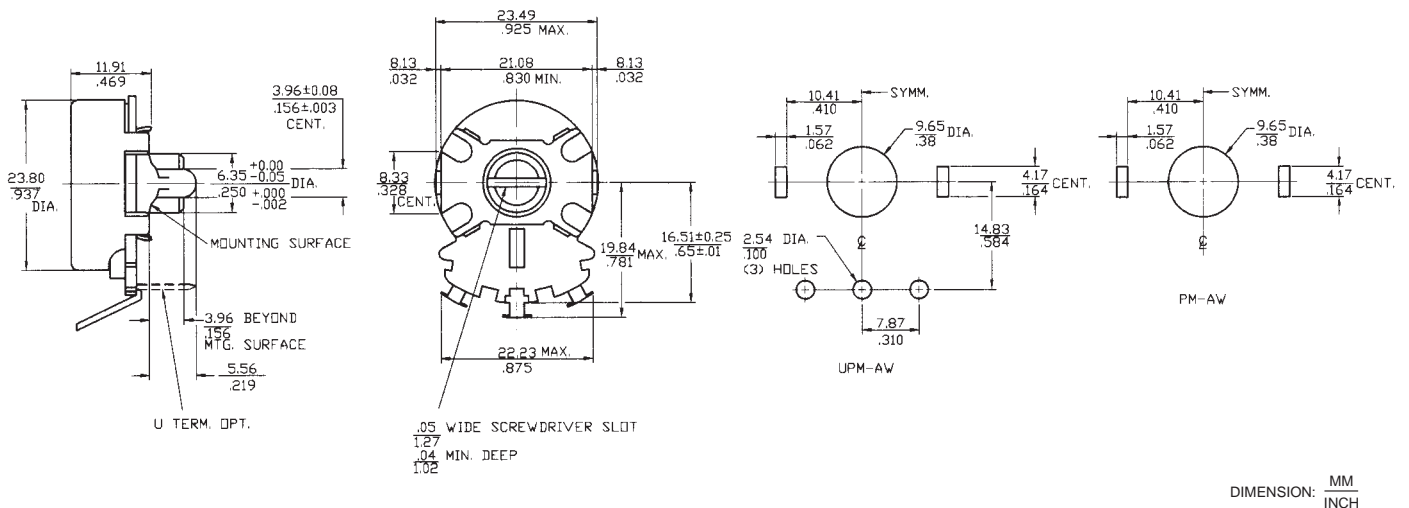


DIMENSION:  $\frac{MM}{INCH}$

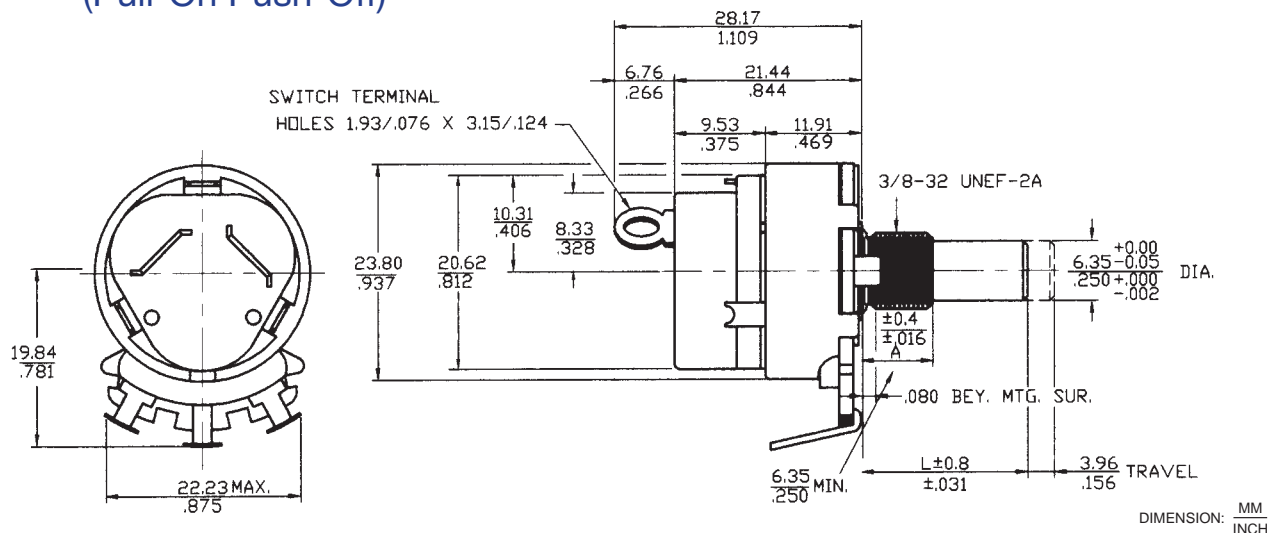
## C2-026 Concentric Tandem (Available in Two or More Sections) with Switch



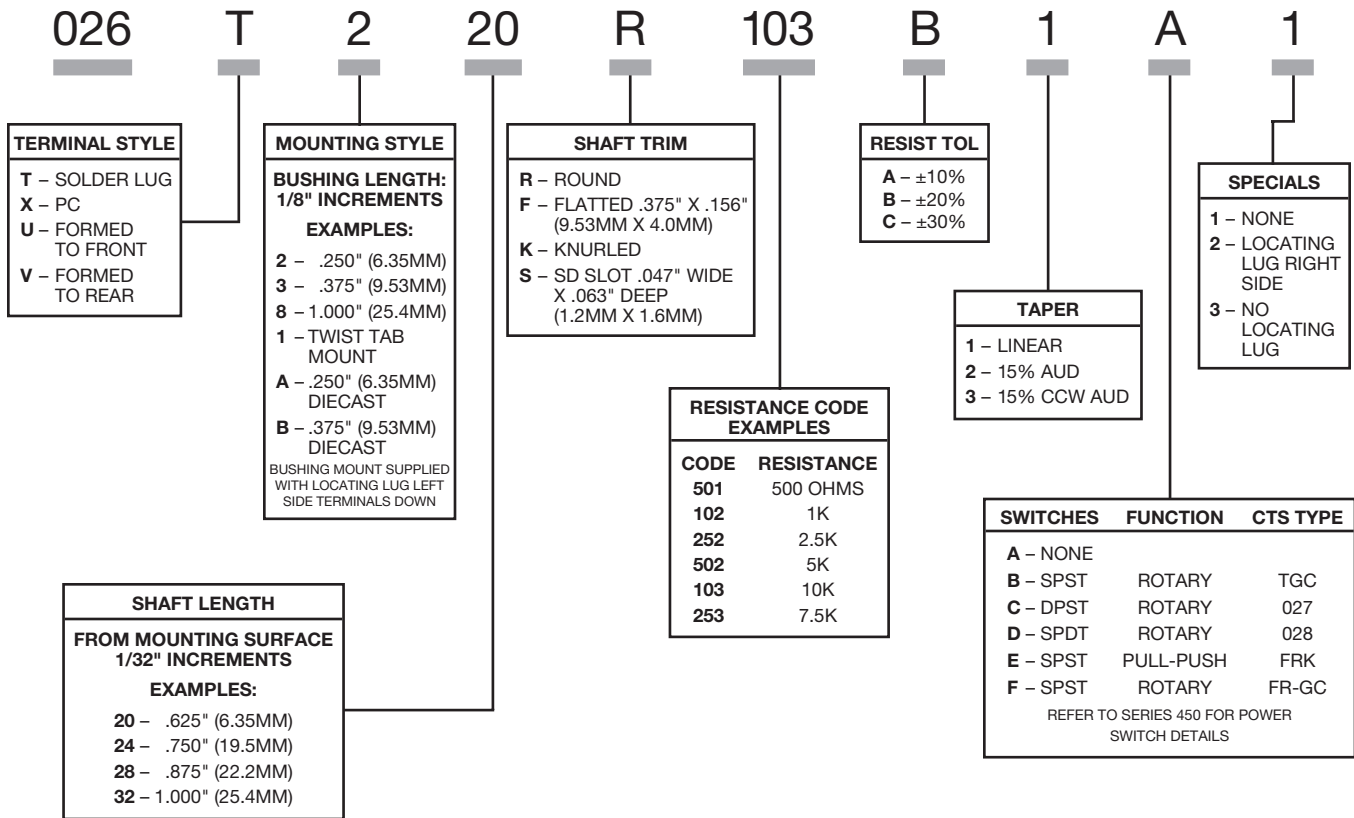
## PM-026 Twist Tab Mounting, Molded Shaft (Available in Metal Shafts)



## K-026 Bushing Mounted, Single Section with Attached K Switch (Pull-On Push-Off)



## Ordering Information



## Order From:

**CTS CORPORATION, ELECTROCOMPONENTS** / 1601 Mishawaka Street / Elkhart, Indiana 46514  
North America Toll Free (888) 287-4690 / (219) 296-6700 / FAX: (219) 293-1240 <http://www.ctscorp.com>

**CTS COMPONENTS TAIWAN, LTD.** / 7, Central 6th Road (Chung Liu Road) / P.O. Box 26-20  
Kaohsiung Export Processing Zone / Kaohsiung, Taiwan, Rep. of China  
(07) 8216145 / FAX: (07) 8417642.8110040