

PRODUCT NUMBER

95000-XXXXLF

PLATING

- 0 = 0.2µm GOLD/GXT
- 1 = 0.76µm GOLD/GXT
- 3 = 0.38µm GOLD/GXT
- 5 = 0.38µm GXT
- 6 = 0.76µm GXT
- T = FULL MATTE TIN 2µm-5µm

UNDERPLATING 1.27µm Ni MIN

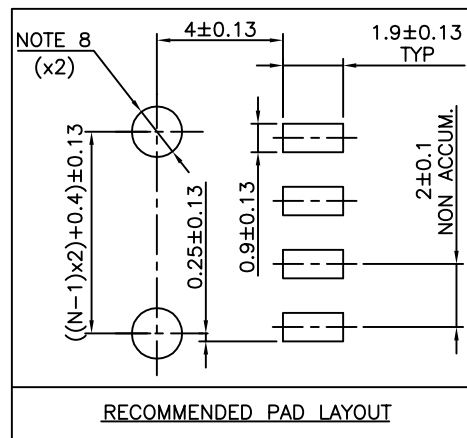
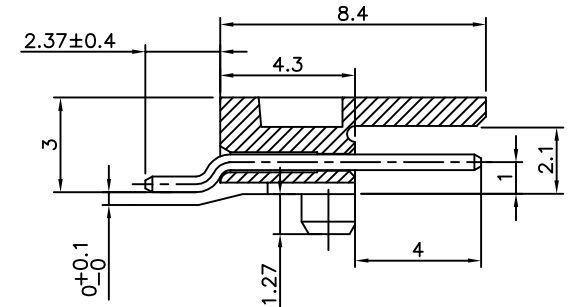
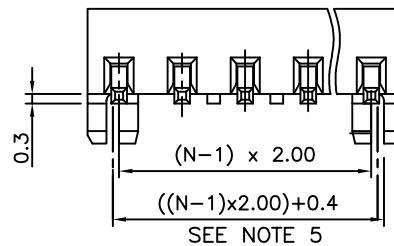
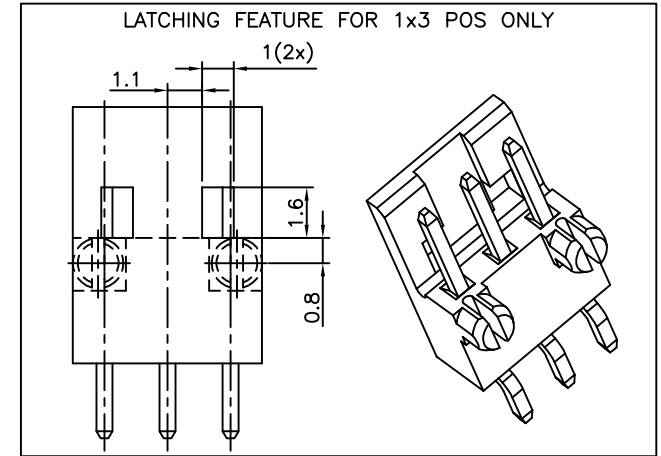
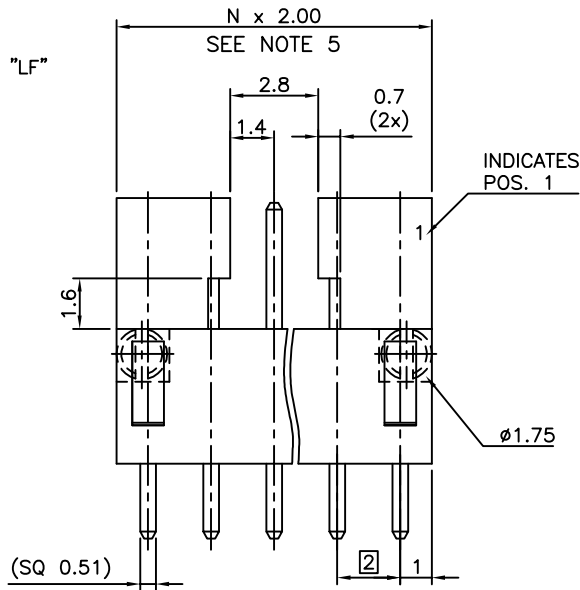
WHEN REQUIRED, ADD SUFFIX LETTER "LF" INDICATES THE PRODUCT IS RoHS COMPATIBLE, SEE NOTE 6 & 7

PACKAGING TYPE, NOTE 3

TOTAL NB OF POSITIONS, 3 TO 17

NOTES:

- 1 - HOUSING MAT'L : HIGH TEMPERATURE THERMOPLASTIC. UL94V-0 COLOR: CREAM
- 2 - PIN MATERIAL : COPPER ALLOY
- 3 - PACKAGING :  
= POLY BAGS  
T = TUBE, FROM 04 POS UP TO 17 POS  
TR = TAPE & REEL  
SEE TAB45 FOR PRODUCT AVAILABILITY
- 4 - 7N MIN RETENTION IN EITHER DIRECTION
- 5 - TO DETERMINE DIMENSIONS :  
N = NUMBER OF POSITIONS
- 6 - 95000-XXXXLF IS SIMILAR TO 95000-XXXX, THE SUFFIX "LF" IS ADDED FOR EASY LEAD FREE IDENTIFICATION
- 7 - RoHS COMPATIBLE PRODUCT SPECIFICATIONS
  - a - MANUFACTURING PROCESS COMPATIBILITY  
- THE HOUSING WILL WITHSTAND EXPOSURE TO 260°C PEAK TEMPERATURE FOR 30 SECONDES MAX IN A CONVECTION, INFRA-RED OR VAPOR PHASE OR REFLOW OVEN.
  - b - LABELLING:  
- MEETS PACKAGING SPECS AS PER GS-14-920
  - c - THIS PRODUCT MEETS EUROPEAN DIRECTIVES AND OTHER COUNTRY REGULATIONS AS DISCRIBED IN GS-22-008.
- 8 - HOLE DIMENSION TO BE  $\phi 1.60 \pm 0.07$  FOR INTERFERENCE FIT APPLICATIONS  
HOLE DIMENSION TO BE  $\phi 1.95 \pm 0.07$  FOR NON INTERFERENCE FIT (LOCATIONAL) APPLICATIONS



mat'l. code		surface		tolerance		projection		product family	
		ISO 1302		ISO 406 ISO 1101		mm		MINITEK	
ltr		ecn no		date		angles		title	
J F06-0193		LMU		06.06.105		linear .x ±0.3		MINITEK SMT HDR SR	
K F07-0179		LMU		07.04.24		.xx ±0.13		POLARIZATION & LATCHING	
L F08-0145		ELA		17.04.08		xxx ±0.05		scale 7:1	
M F11-0023		JCO		11.02.07		dr JL CORDIER 97.07.26		dwg no	
						engom COMPAGNON 97.07.26		sheet 1 of 1	
G F20554		LMU		02.10.10		chr JL CORDIER 97.07.26		size	
H F05-0128		LMU		05.02.21		appd JMC 97.07.26		95000	
sheet		revision						A3	
index		sheet						type CUSTOMER Drawing	