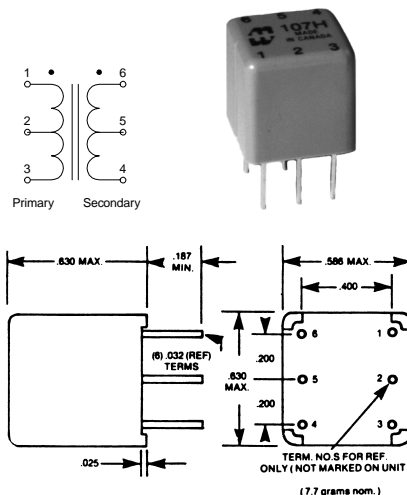


MINIATURE EPOXY POTTED AUDIO TRANSFORMERS

- Audio input, line matching and output transformers.
- Epoxy potted in an attractive molded case, Pin type P.C. board mount (min. 0.187" length).
- In some models where no center tap is required (on secondary), pin No. 5 is omitted.
- Power level ratings are maximum at lowest frequency rating (noted by series above charts) power can be increased slightly at higher frequencies (except 107X).
- Will withstand soldering for 10 sec. @ 260 degrees C, ambient temp. 85 degrees C max.

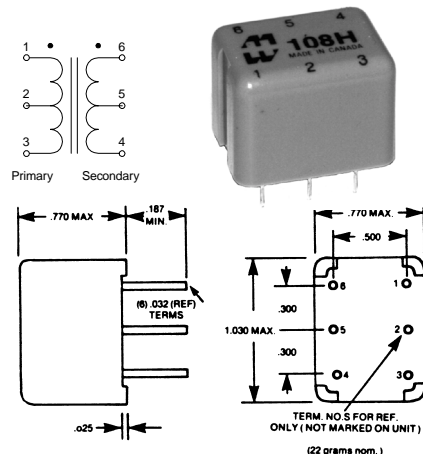
150 milliwatt (+/- 1.5 db, 300 Hz. - 50 Khz.) - 107 Series

| Cat. No. | Nominal Impedance | | D.C. Resistance +/- 20% | | Max. D.C. Unbalance |
|----------|-------------------|-----------------|-------------------------|-----------------|---------------------|
| | Primary (1-3) | Secondary (4-6) | Primary (1-3) | Secondary (4-6) | |
| 107B | 150 ct | 12 | 20 | 2 | 12 |
| 107D | 150 ct | 150 ct | 20 | 25 | 12 |
| 107E | 600 ct | 3.2 | 59 | 0.6 | 6 |
| 107G | 600 ct | 250 ct | 59 | 10 | 6 |
| 107H | 600 ct | 600 ct | 59 | 75 | 6 |
| 107J | 1K ct | 600 ct | 92 | 71 | 4.5 |
| 107L | 10K ct | 3.2 | 780 | 0.65 | 1.5 |
| 107N | 10K ct | 600 ct | 680 | 70 | 1.5 |
| 107P | 10K ct | 1.5K ct | 680 | 150 | 1.5 |
| 107R | 10K ct | 4K ct | 680 | 390 | 1.5 |
| 107T | 10K ct | 10K ct | 680 | 700 | 1.5 |
| 107V | 25K ct | 600 ct | 1300 | 70 | 1.0 |
| 107X | 100K ct | 1K ct | 3700 | 80 | 0 |



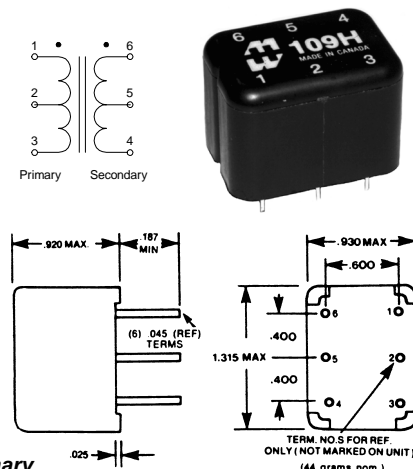
500 milliwatt (+/- 1.5 db, 300 Hz. - 50 Khz.) - 108 Series

| Cat. No. | Nominal Impedance | | D.C. Resistance +/- 20% | | Max. D.C. Unbalance |
|----------|-------------------|-----------------|-------------------------|-----------------|---------------------|
| | Primary (1-3) | Secondary (4-6) | Primary (1-3) | Secondary (4-6) | |
| 108E | 600 ct | 3.2 | 65 | 0.43 | 6 |
| 108F | 600 ct | 150 ct | 65 | 18 | 6 |
| 108G | 600 ct | 250 ct | 65 | 29 | 6 |
| 108H | 600 ct | 600 ct | 65 | 69 | 6 |
| 108J | 1K ct | 600 ct | 109 | 69 | 4.5 |
| 108K | 1.5K ct | 600 ct | 170 | 69 | 4.0 |
| 108L | 10K ct | 3.2 | 1050 | 0.43 | 1.5 |
| 108N | 10K ct | 600 ct | 1050 | 69 | 1.5 |
| 108P | 10K ct | 1.5K ct | 1050 | 180 | 1.5 |
| 108T | 10K ct | 10K ct | 1050 | 1200 | 1.5 |



2 Watt (+/- 1.5 db 300Hz. - 50 Khz.) - 109 Series

| Cat. No. | Nominal Impedance | | D.C. Resistance +/- 20% | | Max. D.C. Unbalance |
|----------|-------------------|-----------------|-------------------------|-----------------|---------------------|
| | Primary (1-3) | Secondary (4-6) | Primary (1-3) | Secondary (4-6) | |
| 109E | 600 ct | 3.2 | 43 | 0.37 | 6 |
| 109F | 600 ct | 150 ct | 43 | 15 | 6 |
| 109G | 600 ct | 250 ct | 43 | 24 | 6 |
| 109H | 600 ct | 600 ct | 43 | 60 | 6 |
| 109J | 1K ct | 600 ct | 69 | 60 | 4.5 |
| 109K | 1.5K ct | 600 ct | 105 | 60 | 4.0 |
| 109L | 10K ct | 3.2 | 700 | 0.37 | 1.5 |
| 109N | 10K ct | 600 ct | 700 | 60 | 1.5 |
| 109R | 10K ct | 1.5K ct | 700 | 150 | 1.5 |
| 109T | 10K ct | 10K ct | 700 | 1000 | 1.5 |



NOTES: * Unbalanced ma. D.C. in half primary winding, divide by 2 for total ma. D.C. in primary

CANADA

Phone: (519) 822-2960 Fax: (519) 822-0715

USA

Phone: (716) 651-0086 Fax: (716) 651-0726



© 2000

**HAMMOND
MANUFACTURING™**
www.hammondmfg.com

Audio