

62160-1 ✓ ACTIVE

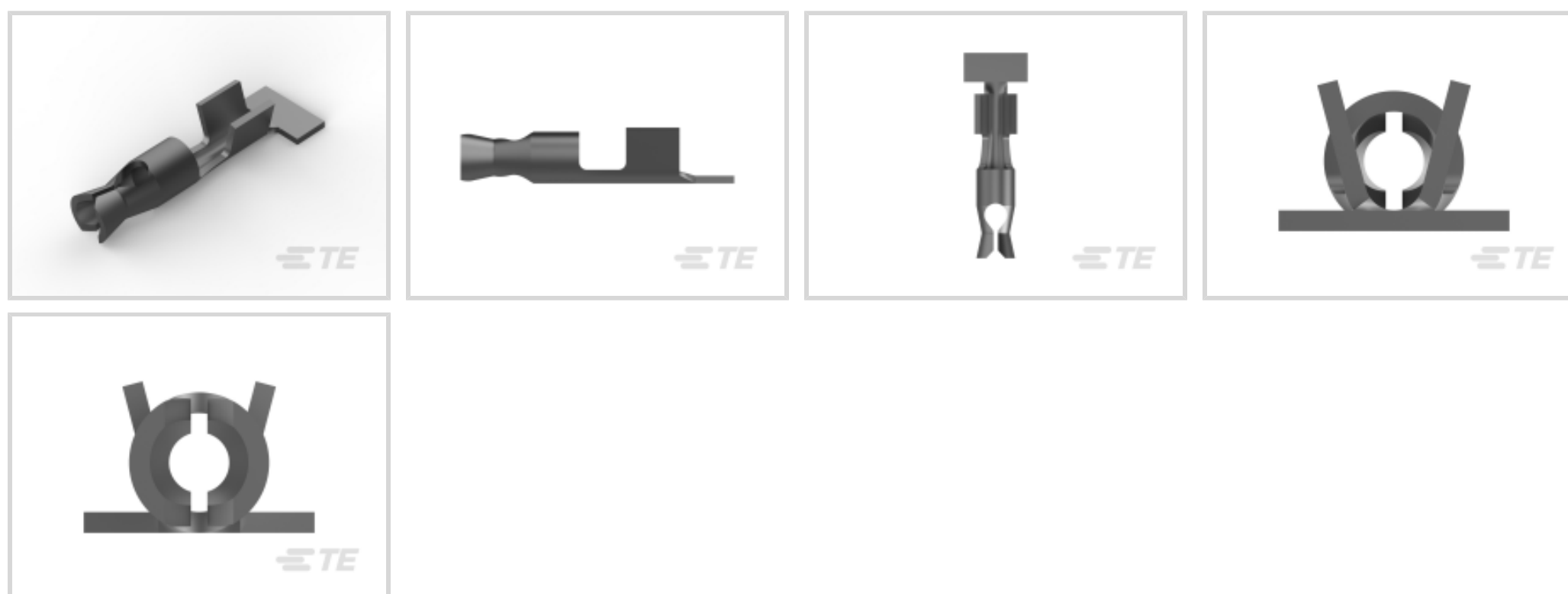
TE Internal #: 62160-1

Crimp Wire Pins, Tabs & Ferrules, Receptacle, Receptacle, Pin
Diameter .04 in [1.01 mm], 24 – 20AWG Wire Size, .2 – .6mm² Wire
Size

[View on TE.com >](#)



Terminals & Splices > Crimp Wire Pins, Tabs & Ferrules



Terminal & Splice Type: **Receptacle**

Terminal Type: **Receptacle**

Pin Diameter: **1.01 mm [.04 in]**

Heavy Duty: **No**

Wire Size: **24 – 20 AWG**

Features

Product Type Features

Barrel Type	Open Barrel
Wire/Cable Type	Discrete Wire
Insulated	No

Body Features

Plating Material	Tin
------------------	-----

Contact Features

Terminal & Splice Type	Receptacle
Terminal Type	Receptacle
Pin Diameter	1.01 mm[.04 in]
Terminal Orientation	Straight

Mechanical Attachment

Wire Insulation Support	Without
-------------------------	---------

Dimensions

Wire Size	404 – 1021 CMA
-----------	----------------



Barrel Inside Diameter	.88 mm[.035 in]
Material Thickness	.32 mm[.0126 in]
Overall Length	9.14 mm[.36 in]

Operation/Application

Heavy Duty	No
------------	----

Packaging Features

Packaging Quantity	16000
Packaging Method	Strip

Product Compliance

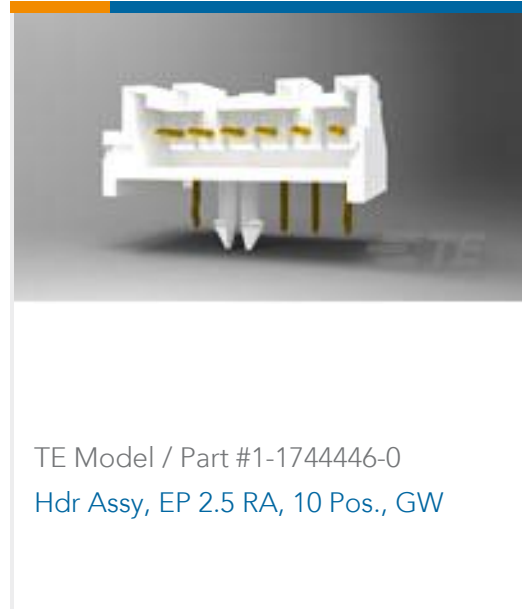
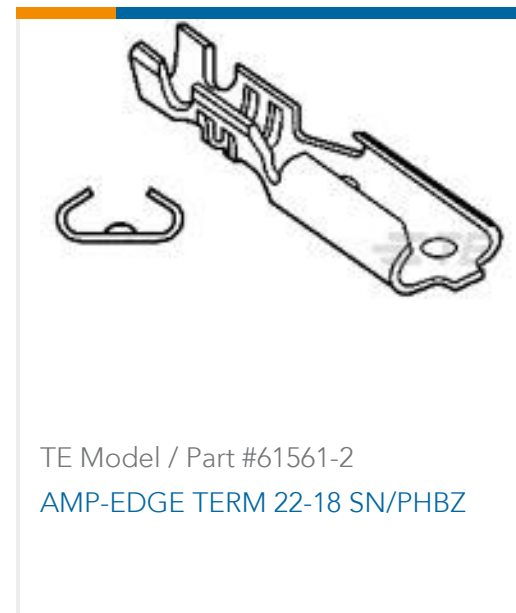
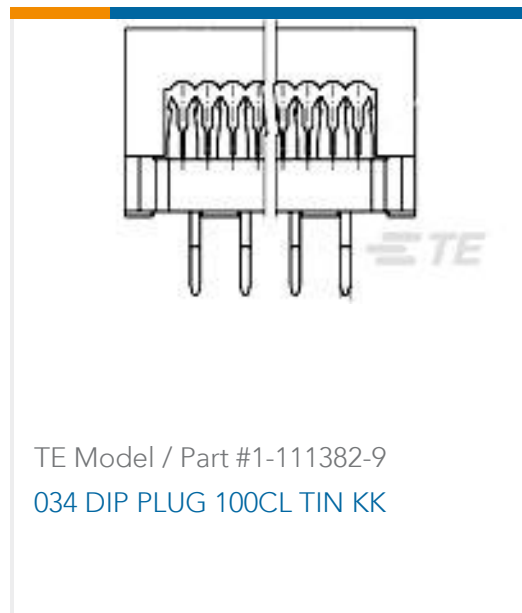
[For compliance documentation, visit the product page on TE.com>](#)

EU RoHS Directive 2011/65/EU	Compliant
EU ELV Directive 2000/53/EC	Compliant
China RoHS 2 Directive MIIT Order No 32, 2016	No Restricted Materials Above Threshold
EU REACH Regulation (EC) No. 1907/2006	Current ECHA Candidate List: JUN 2020 (209) Candidate List Declared Against: JAN 2020 (205) Does not contain REACH SVHC
Halogen Content	Low Halogen - Br, Cl, F, I < 900 ppm per homogenous material. Also BFR/CFR/PVC Free
Solder Process Capability	Not applicable for solder process capability

Product Compliance Disclaimer

This information is provided based on reasonable inquiry of our suppliers and represents our current actual knowledge based on the information they provided. This information is subject to change. The part numbers that TE has identified as EU RoHS compliant have a maximum concentration of 0.1% by weight in homogenous materials for lead, hexavalent chromium, mercury, PBB, PBDE, DBP, BBP, DEHP, DIBP, and 0.01% for cadmium, or qualify for an exemption to these limits as defined in the Annexes of Directive 2011/65/EU (RoHS2). Finished electrical and electronic equipment products will be CE marked as required by Directive 2011/65/EU. Components may not be CE marked. Additionally, the part numbers that TE has identified as EU ELV compliant have a maximum concentration of 0.1% by weight in homogenous materials for lead, hexavalent chromium, and mercury, and 0.01% for cadmium, or qualify for an exemption to these limits as defined in the Annexes of Directive 2000/53/EC (ELV). Regarding the REACH Regulation, the information TE provides on SVHC in articles for this part number is based on the latest European Chemicals Agency (ECHA) 'Guidance on requirements for substances in articles' posted at this URL: <https://echa.europa.eu/guidance-documents/guidance-on-reach>

Customers Also Bought



Documents

Product Drawings

[PIN .040 RECEPTACLE 24-20 AWG TPPHBZ](#)

English

CAD Files

[3D PDF](#)

3D

Customer View Model

[ENG_CVM_CVM_62160-1_T.2d_dxf.zip](#)

English

Customer View Model

[ENG_CVM_CVM_62160-1_T.3d_igs.zip](#)

English

Customer View Model

[ENG_CVM_CVM_62160-1_T.3d_stp.zip](#)

English

By downloading the CAD file I accept and agree to the [Terms and Conditions](#) of use.

Product Specifications



Application Specification

English

Agency Approvals

UL Report

English