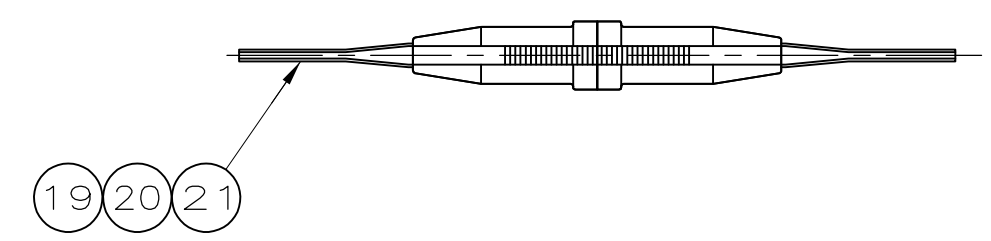
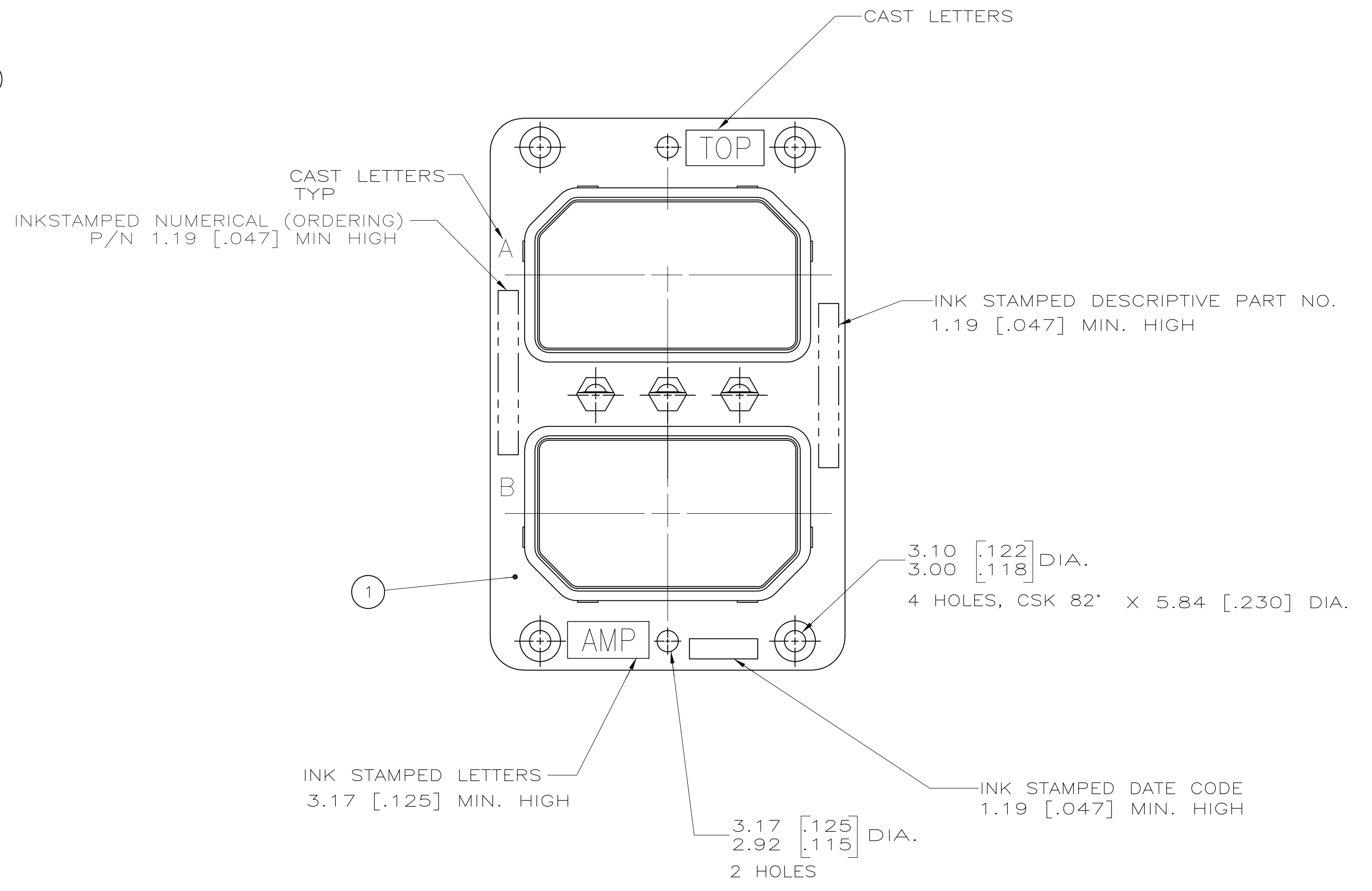
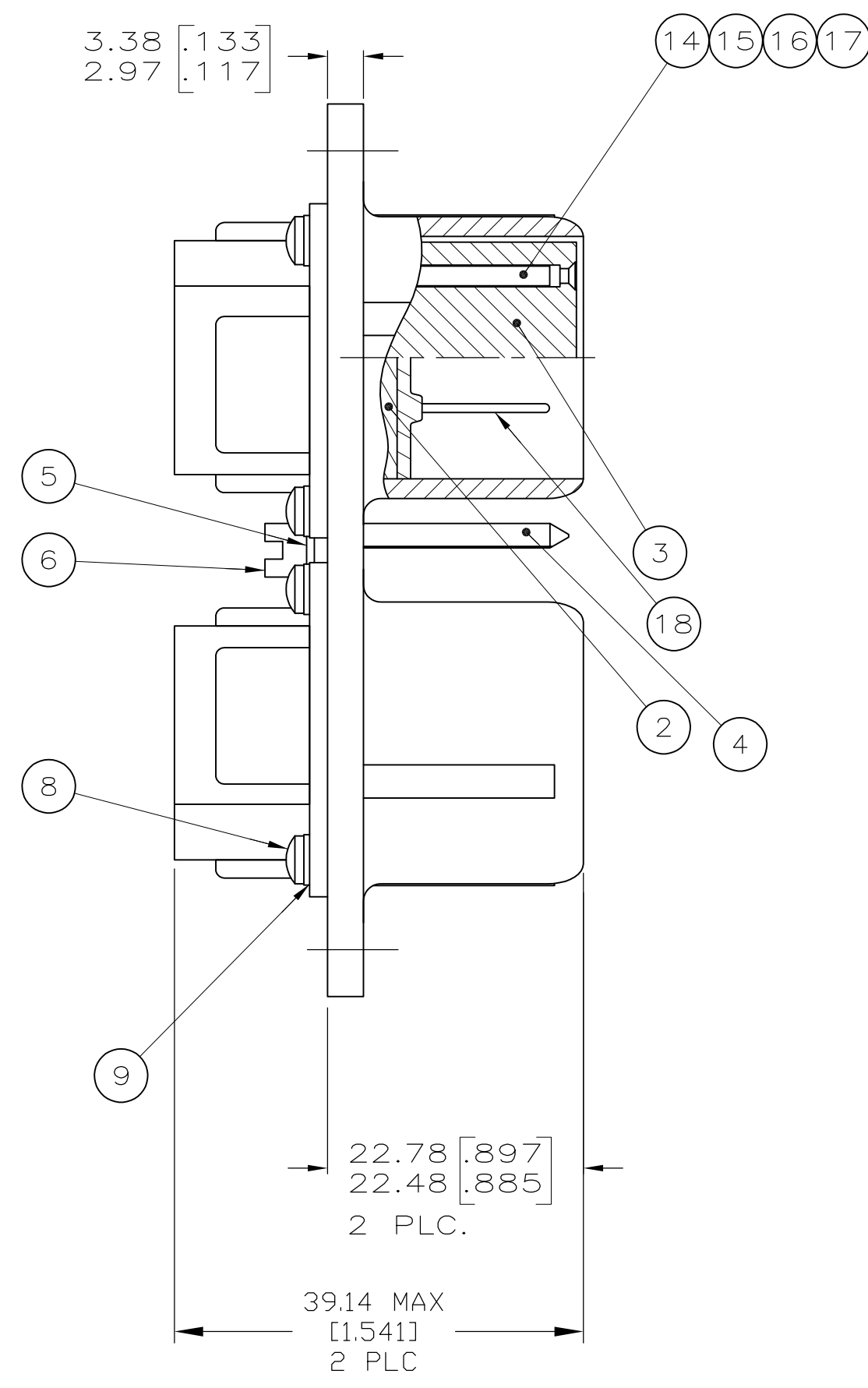
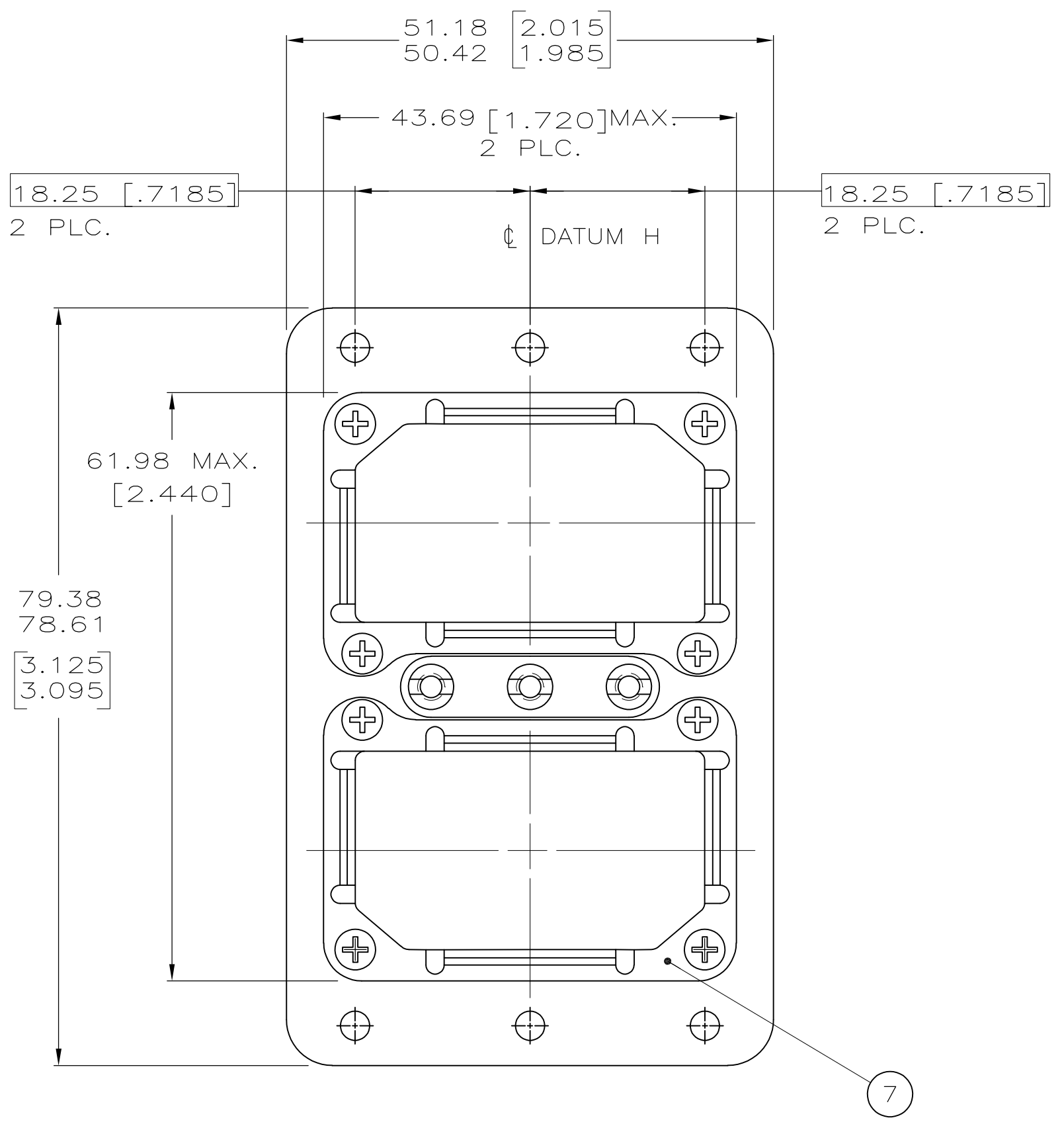


LOC		DIST		REVISIONS			
P	LTR	DESCRIPTION	DATE	DWN	APPD		
C		REV PER ECO 09-025855	15DEC09	PY	DE		



- CONTACTS SHOWN LOADED FOR ILLUSTRATION ONLY; ARE INCLUDED IN A CONTAINER WITHIN CONNECTOR PACKAGE FOR SHIPMENT.
- FOR INSERT ARRANGEMENTS AND DIMENSIONS, SEE TABLES ON SHEET 2 OF 2.
- DIMENSIONS IN BRACKETS ARE IN INCHES.

**METRIC**

THIS DRAWING IS A CONTROLLED DOCUMENT.		DWN MARK HOFFECKER 3-11-87	CHK LARRY LAWNER 3-11-87	Tyco Electronics Corporation Harrisburg, PA 17105-3608	
DIMENSIONS: mm [INCHES]	TOLERANCES UNLESS OTHERWISE SPECIFIED:	PRODUCT SPEC	APPLICATION SPEC	PLUG CONNECTOR KIT, ARINC 404, DUAL INSERT	
0 PLC ± .01	1 PLC ± .01	2 PLC ± .01	3 PLC ± .01	4 PLC ± .01	ANGLES ± 0°30'
MATERIAL SEE TABLE	FINISH SEE TABLE	WEIGHT	SCALE	SIZE A1	CAGE CODE 00779
CUSTOMER DRAWING			SCALE	DRAWING NO. 213441	RESTRICTED TO
			SCALE	SHEET 1 OF 2	REV C

