



Extract from the online catalog

SAC-8P-M12MS/ 3,0-PUR/M12FR

Order No.: 1522752



<http://eshop.phoenixcontact.de/phoenix/treeViewClick.do?UID=1522752>

Sensor/Actuator cable, 8-position, PUR, halogen-free, Black-gray RAL 7021, Plug, straight M12, A-coded, on Socket, angled M12, A-coded, Cable length: 3 m

Commercial data	
GTIN (EAN)	4017918957568
Note	Made-to-order
sales group	D118
Pack	1 pcs.
Customs tariff	85444290
Weight/Piece	0.1526 KG
Catalog page information	Page 93 (PC-2009)

Product notes

WEEE/RoHS-compliant since:
01/01/2008



<http://www.download.phoenixcontact.com>
Please note that the data given here has been taken from the online catalog. For comprehensive information and data, please refer to the user documentation. The General Terms and Conditions of Use apply to Internet downloads.

Technical data

General data	
Rated current at 40°C	2 A
Rated voltage	30 V
Number of positions	8
Volume resistance	≤ 5 mΩ

SAC-8P-M12MS/ 3,0-PUR/M12FR Order No.: 1522752
<http://eshop.phoenixcontact.de/phoenix/treeViewClick.do?UID=1522752>

Insulation resistance	≥ 100 MΩ
Length of cable	3 m
Ambient temperature (operation)	-25 °C ... 90 °C (plug/socket)

General characteristics

Coding	A - standard
Surge voltage category	II
Pollution degree	3
Degree of protection	IP65/IP68/IP69K
Contact material	CuZn
Contact surface material	Ni/Au
Contact carrier material	TPU GF
Material of grip body	TPU, hardly inflammable, self-extinguishing
Material, knurls	Zinc die-cast, (nickel-plated)
Sealing material	NBR
Status display	No

Conductor data

Cable type	PUR halogen-free black
Cable type (abbreviation)	PUR
Cable abbreviation	Li9Y11Y
Conductor cross section	0.25 mm ²
AWG signal line	24
Conductor structure signal line	32 x 0.10 mm
Core diameter including insulation	1.17 mm ±0.02 mm
Thickness, insulation	≥ 0.21 mm (Core insulation)
	Approx. 0.8 mm (Outer cable sheath)
External cable diameter	5.9 mm ±0.15 mm
Wire colors	Brown, blue, white, gray, pink, red, yellow, green
External sheath, color	Black-gray RAL 7021
Insulation resistance	≥ 100 MΩ*km (at 20°C)
Conductor resistance	max. 78 Ω/km (at 20°C)
Nominal voltage, conductor	≤ 300 V
Test voltage, conductor	≥ 3000 V
Overall twist	8 wires around filler to the core
Outer sheath, material	PUR

SAC-8P-M12MS/ 3,0-PUR/M12FR Order No.: 1522752
<http://eshop.phoenixcontact.de/phoenix/treeViewClick.do?UID=1522752>

Material, filler	PE
Material conductor insulation	PP
Conductor material	Bare Cu litz wires
Cable weight	46 kg/km
Smallest bending radius, fixed installation	59 mm
Smallest bending radius, movable installation	59 mm
Number of bending cycles	4000000
Bending radius	59 mm
Traversing path	10 m
Traversing rate	3 m/s
Acceleration	10 m/s ²
Special properties	Flexible cable conduit capable
	Silicone-free
	Free of substances which would hinder coating with paint or varnish
Flame resistance	As per UL-Style 20549
Freedom from halogen	As per DIN VDE 0472 part 815
Resistance to oil	complying with DIN EN 60811-2-1
Other resistance	Highly resistant to acids, alkaline solutions and solvents hydrolysis and microbe resistant

Certificates / Approvals



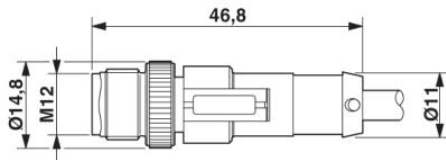
Certification

CUL Listed, UL Listed

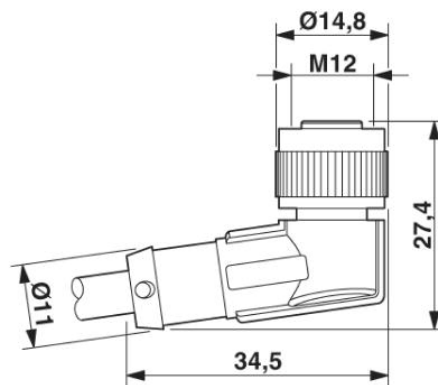
SAC-8P-M12MS/ 3,0-PUR/M12FR Order No.: 1522752
<http://eshop.phoenixcontact.de/phoenix/treeViewClick.do?UID=1522752>

Diagrams/Drawings

Dimensioned drawing

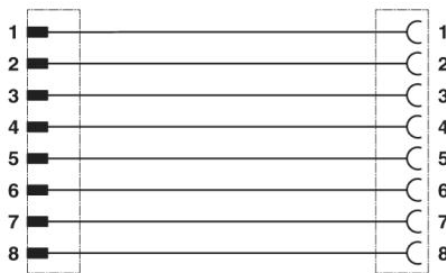


M12 x 1 male connector, straight



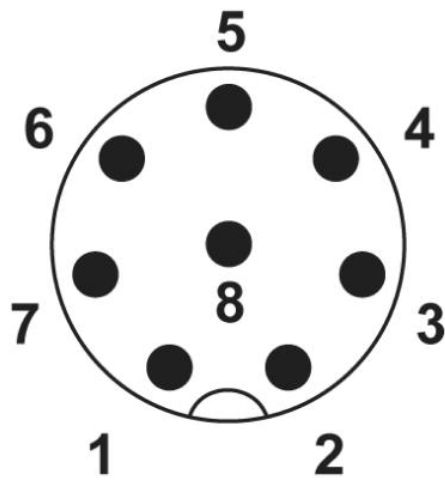
M12 x 1 female connector, angled

Circuit diagram

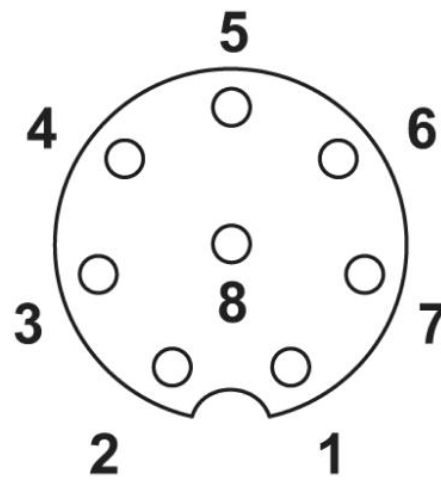


Contact assignment of the M12 plug and the M12 socket

Schematic diagram



Pin assignment M12 plug, 8-pos., view plug side



Pin assignment M12 socket, 8-pos., A-coded, view female side

onlinecomponents.com

SAC-8P-M12MS/ 3,0-PUR/M12FR Order No.: 1522752
<http://eshop.phoenixcontact.de/phoenix/treeViewClick.do?UID=1522752>

Address

PHOENIX CONTACT Deutschland GmbH
Flachmarktstr. 8
32825 Blomberg, Germany
Phone +49 5235 3 12000
Fax +49 5235 3 41200
<http://www.phoenixcontact.de>



© 2010 Phoenix Contact
Technical modifications reserved;

onlinecomponents.com