

Surge protection device - C-SAT-BOX - 2880561

Please be informed that the data shown in this PDF Document is generated from our Online Catalog. Please find the complete data in the user's documentation. Our General Terms of Use for Downloads are valid (<http://phoenixcontact.com/download>)




Surge protection for antenna distributors in satellite systems. IN and OUT via F connectors, 5 channels for signals from SAT systems and terrestrial antennas, ground connection on the outside of the housing.

Why buy this product

- Wall mounting supported
- Protection for antenna inputs in satellite receiver technology
- Analog and digital SAT signals
- Terrestrial antenna signals
- Use before antenna distributor or multi-switch



Key Commercial Data

Packing unit	1 STK
GTIN	 4 046356 048941
GTIN	4046356048941
Weight per Piece (excluding packing)	286.100 g
Custom tariff number	85363010
Country of origin	Germany

Technical data

Dimensions

Height	32 mm
Width	145 mm
Depth	72 mm

Ambient conditions

Surge protection device - C-SAT-BOX - 2880561

Technical data

Ambient conditions

Ambient temperature (operation)	-25 °C ... 55 °C
Ambient temperature (storage/transport)	-40 °C ... 80 °C
Degree of protection	IP40

General

Housing material	Zinc die-cast
Color	silver
Standards for clearances and creepage distances	IEC 60664-1
	DIN VDE 0110-1
Overvoltage category	II
Degree of pollution	2
Mounting type	Screw mounting
Design	Housing for surface mounting
Number of positions	5
Direction of action	Line-Shield/Earth Ground

Protective circuit

IEC test classification	B2
	C1
	C2
	C3
	D1
Nominal voltage U_N	14 V DC (vertical)
	18 V DC (horizontal)
Maximum continuous voltage U_C	20 V DC
Rated current	400 mA (25 °C)
Operating effective current I_C at U_C	$\leq 2 \mu A$
Residual current I_{PE}	$\leq 2 \mu A$
Nominal discharge current I_n (8/20) μs (Core-Earth)	2.5 kA
Nominal discharge current I_n (8/20) μs (Core-Shield)	2.5 kA
Total discharge current I_{Total} (8/20) μs	10 kA
Max. discharge current I_{max} (8/20) μs maximum (Core-Earth)	2.5 kA
Max. discharge current I_{max} (8/20) μs maximum (Core-Shield)	2.5 kA
Nominal pulse current I_{an} (10/1000) μs (Core-Earth)	100 A
Nominal pulse current I_{an} (10/1000) μs (Core-Shield)	100 A
Nominal pulse current I_{an} (10/700) μs (Core-Earth)	100 A
Nominal pulse current I_{an} (10/700) μs (Core-Shield)	100 A
Output voltage limitation at 1 kV/ μs (Core-Earth) static	$\leq 80 V$

Surge protection device - C-SAT-BOX - 2880561

Technical data

Protective circuit

Output voltage limitation at 1 kV/μs (Core-Shield) static	≤ 80 V
Voltage protection level U _p (core-ground)	≤ 500 V (C2 - 4 kV/2 kA)
	≤ 120 V (C3 - 100 A)
Voltage protection level U _p (core-shield)	≤ 500 V (C2 - 4 kV/2 kA)
	≤ 120 V (C3 - 100 A)
Response time t _A (Core-Earth)	≤ 1 ns
Response time t _A (Core-GND)	≤ 1 ns
Input attenuation a _E , asym.	≤ 3 dB (5 MHz ... 2.4 GHz)
	≤ 1 dB (5 MHz ... 2.2 GHz)
Near-end crosstalk attenuation	≥ 35 dB (5 MHz ... 2.4 GHz)
Cut-off frequency f _g (3 dB), asym. (shield) in 75 Ohm system	> 2.5 GHz
Frequency range	47 MHz ... 2.5 GHz
Capacity (Core-Core)	typ. 25 nF (f = 1 kHz)
Inductivity in series	typ. 5 μH (f = 10 kHz)
Resistance in series	3.3 Ω 10 %
Impulse durability (conductor-ground)	B2 - 4 kV/100 A
	C1 - 1 kV/500 A
	C2 - 4 kV/2 kA
	C3 - 100 A
	D1 - 500 A

Connection data

Connection method	F connector
Connection type IN	F connector, female
Connection type OUT	F connector, female

Connection, equipotential bonding

Connection method	Screw connection
-------------------	------------------

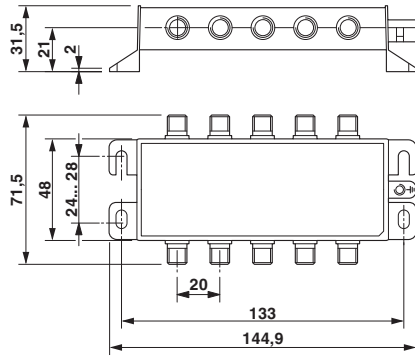
Standards and Regulations

Standards/specifications	IEC 61643-21+A1+A2 2012
	DIN EN 61643-21 2013
	DIN EN 50083-2 CLASS-A

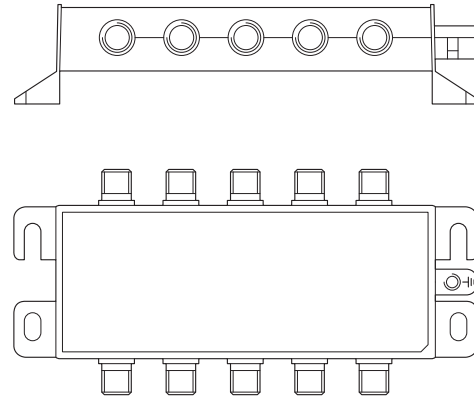
Drawings

Surge protection device - C-SAT-BOX - 2880561

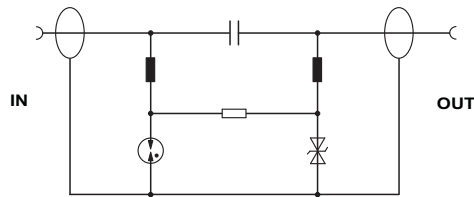
Dimensional drawing



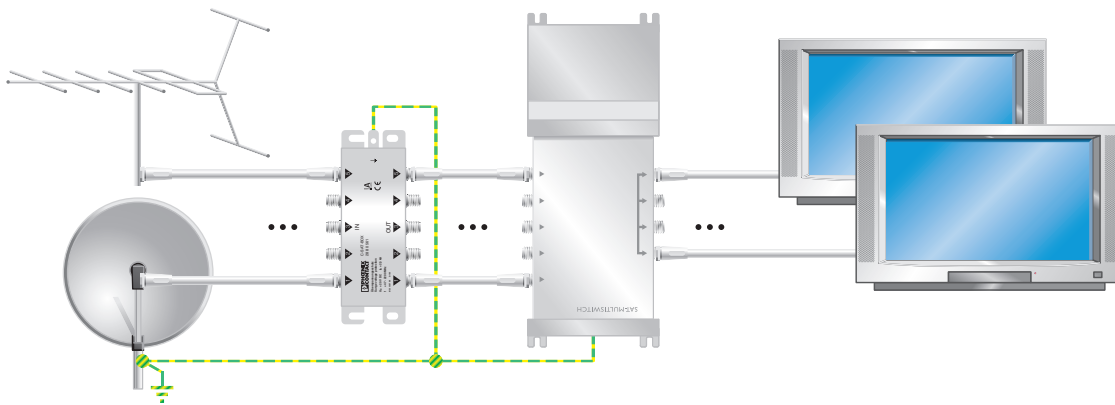
Product drawing



Circuit diagram



Application drawing



Approvals

Approvals

Surge protection device - C-SAT-BOX - 2880561

Approvals

Approvals

EAC

Ex Approvals

Approval details

EAC 7500651.22.01.00243
