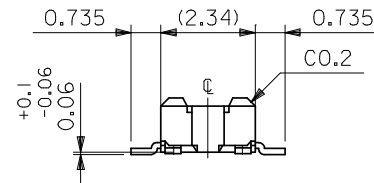
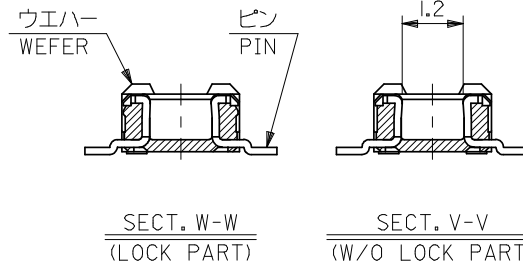
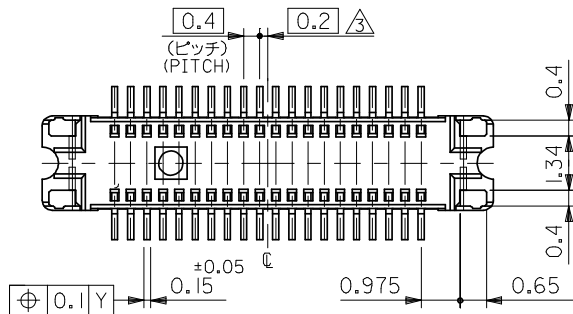


POSITION LOCK 123 --- --- --- N2N1N

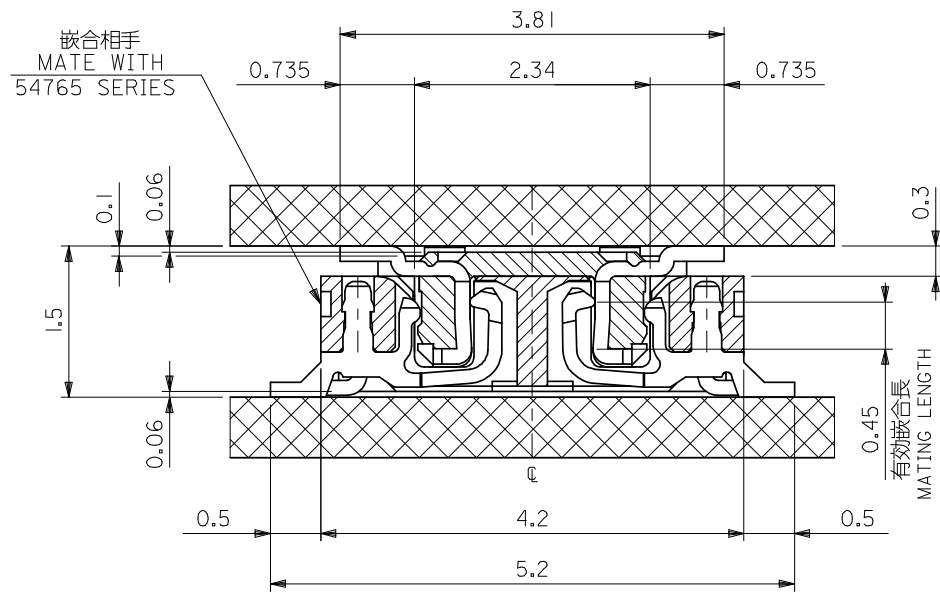


注記 NOTES

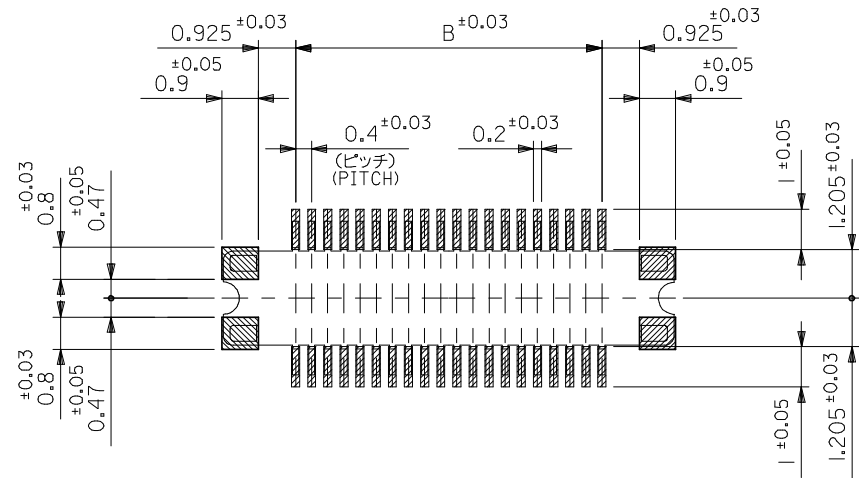
1. 使用材料 MATERIAL  
 ウエハー: 液晶ポリマー ガラス充填 UL94V-0 (黒)  
 WAFER: LIQUID CRYSTAL POLYMER (GLASS FILLED)  
 UL94V-0 (COLOR: BLACK)  
 ピン: 黄銅 (t=0.15)  
 PIN: BRASS (t=0.15)  
 金具: リン青銅 (t=0.15)  
 FITTING NAIL: PHOSPHOR BRONZE (t=0.15)
2. メッキ仕様 PLATING  
 ピン PIN  
 金メッキ 0.25マイクロメートル以上 (コンタクト部)  
 GOLD 0.25MICROMETER MINIMUM (CONTACT AREA)  
 金メッキ 0.4マイクロメートル以下 (テール部)  
 GOLD 0.4MICROMETER MAXIMUM (TAIL AREA)  
 下地メッキ: ニッケルメッキ 1.5マイクロメートル以上  
 UNDER PLATING: NICKEL 1.5MICROMETER MINIMUM  
 金具 FITTING NAIL  
 錫メッキ 1.0マイクロメートル以上  
 TIN 1.0MICROMETER MINIMUM  
 下地メッキ: ニッケルメッキ 1.0マイクロメートル以上  
 UNDER PLATING: NICKEL 1.0MICROMETER MINIMUM
3. (全極数/2) = 偶数の場合に適用。  
 APPLY FOR (CIRCUIT/2) = EVEN
4. 嵌合相手: 54765 シリーズ  
 MATE WITH: 54765 SERIES.
5. テール平坦度は、0.08以下  
 テール及び金具の平坦度は、0.1以下  
 TAIL COPLANARITY TO BE 0.08MAXIMUM.  
 TAIL AND FITTING NAIL  
 COPLANARITY TO BE 0.1 MAXIMUM.
6. 24極のみ、MX Jトレードマークの向きが逆となる。  
 FOR 24 CIRCUIT, MX J TRADE MARK IS REVERSED.
7. 本製品は 55604-\*\*\*5 の鉛フリー品である。  
 THIS PRODUCT IS LEAD FREE OF 55604-\*\*\*5

NONE	15.6	19.19	55604-8070	55604-8009	80
	13.6	17.19	55604-7070	55604-7009	70
6,7,8,9,10,16,17,18,19,20	9.6	13.19	55604-5070	55604-5009	50
6,7,8,9,10,11,12,13,14,15,16,17	8.4	11.99	55604-4470	55604-4409	44
2,4,6,7,8,9,10,11,12,13,14,15,17,19	7.6	11.19	55604-4070	55604-4009	40
ALL	5.6	9.19	55604-3070	55604-3009	30
	4.4	7.99	55604-2470	55604-2409	24
	4.0	7.59	55604-2270	55604-2209	22
LOCK POSITION	B	A	EMBOSSED TAPE PKG. ORDER No. オーダー番号	MATERIAL NO.	Ck+

REVISED EC NO.: J2009-0301 2008/08/27 DRWN: MABEI 2008/08/28 CHKD: THARUYAMA 2008/08/28 APPR: NUKITA 2008/08/28	DESCRIPTION GENERAL TOLERANCES (UNLESS SPECIFIED)	10 UNDER	±0.2	DRAWN BY HSHIMABUKURO	DATE '04/02/19	TITLE 0.4 B-TO-B PLUG 0/M W/GDE W/O BOSS HGT=1.5 -LEAD FREE-
		10 OVER 30 UNDER	±0.25	CHECKED BY K. TOJO	DATE '04/02/19	MOLEX INCORPORATED
		30 OVER	±0.3	APPROVED BY M. SASAO	DATE '04/02/19	
		ANGULAR	±3 °	MATERIAL NO.	DOCUMENT NO.	SHEET NO.
		DRAFT WHERE APPLICABLE MUST REMAIN WITHIN DIMENSIONS		SIZE A3	THIS DRAWING CONTAINS INFORMATION THAT IS PROPRIETARY TO MOLEX INCORPORATED AND SHOULD NOT BE USED WITHOUT WRITTEN PERMISSION	

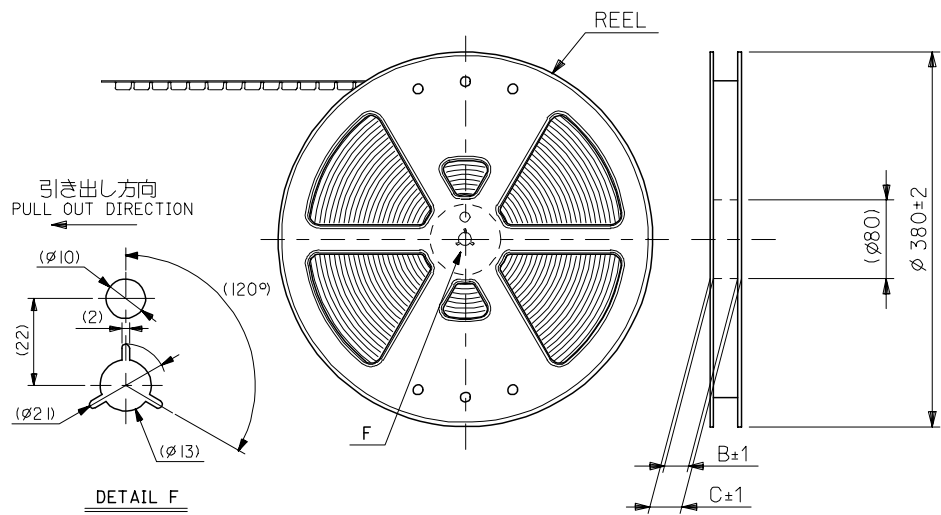


嵌合断面図 (参考)  
MATED DRAWING (REFERENCE)



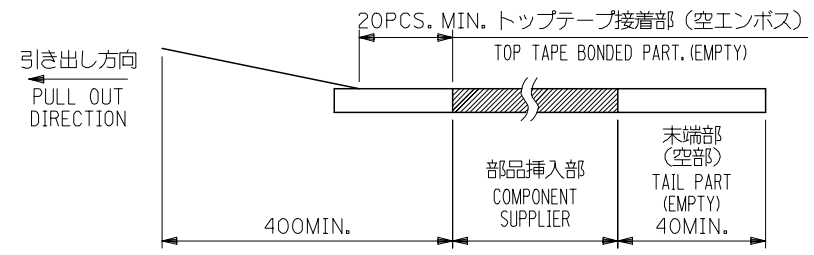
参考基板レイアウト (マウント面)  
P.C.BOARD PATTERN DIMENSION. (REFERENCE)  
(MOUNTING AREA)

REVISED EC NO.: J2009-0301 DRWN: MABEI 2008/08/27 CHKD: THARUYAMA 2008/08/28 APPR: NUKITA 2008/08/28	GENERAL TOLERANCES (UNLESS SPECIFIED)		DIMENSION STYLE MM ONLY	SCALE ---	DESIGN UNITS METRIC	MODEL NO. 55604-***09
	10 UNDER	±0.2	DRAWN BY HSHIMABUKURO	DATE '04/02/19	TITLE 0.4 B-TO-B PLUG 0/M W/GDE W/O BOSS HGT=1.5 -LEAD FREE-	THIRD ANGLE PROJECTION
	10 OVER 30 UNDER	±0.25	CHECKED BY K. TOJO	DATE '04/02/19	MOLEX INCORPORATED	
	30 OVER	±0.3	APPROVED BY M. SASAO	DATE '04/02/19	DOCUMENT NO. SD-55604-010	SHEET NO. 2 OF 2
A	DESCRIPTION ANGULAR ±3 ° DRAFT WHERE APPLICABLE MUST REMAIN WITHIN DIMENSIONS	SIZE A3	THIS DRAWING CONTAINS INFORMATION THAT IS PROPRIETARY TO MOLEX INCORPORATED AND SHOULD NOT BE USED WITHOUT WRITTEN PERMISSION			

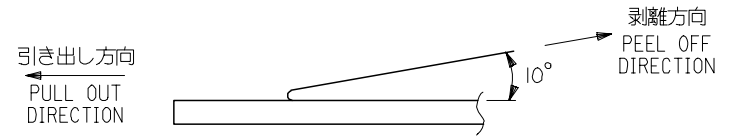


注記 NOTES

- 製品詳細寸法については図面 SD-55604-010 を参照下さい。  
RE DETAILED DIMENSION, SEE SD-55604-010
- 梱包数量：2500個/リール  
NUMBER OF CONNECTORS : 2500PCS/REEL
- リードテープ長さ LEAD TAPE LENGTH



- トップテープの剥離強度：0.1N ~ 1.3N(10gf ~ 130gf)  
(剥離方向は下図参照)  
尚、本規格値は出荷時に適用。(但し、輸送時に剥離が発生しないこと。)  
PEELING OFF FORCE OF TOP TAPE : 0.1N ~ 1.3N(10gf ~ 130gf)  
(PEELING DIRECTION AS SHOWN IN FOLLOWING FIG.)  
THIS REQUIREMENT SHOULD BE APPLIED AT SHIPMENT.  
PEEL OFF SHOULD NOT BE ALLOWED , DURING TRANSPORTATION.



- 材料 MATERIAL  
キャリアテープ (CARRIER TAPE) : ポリプロピレン (POLYPROPYLENE)  
トップテープ (TOPTAPE) : PET , PE , PEF  
リール (REEL) : ポリスチレン (PS) <リサイクル材を含む>  
POLYSTYRENE (PS) <RECYCLE MATERIAL CONTAINED>
- 本製品は 55604-\*\*\*6 の鉛フリー品である。  
THIS PRODUCT IS LEAD FREE OF 55604-\*\*\*6

REVISED EC NO: J2005-1377 DRAWN: NABEI 2004/11/10 CHKD: KTOJO 2004/11/10 APPR: NUKITA 2004/11/10 DESCRIPTION REV A	GENERAL TOLERANCES (UNLESS SPECIFIED)		DIMENSION STYLE MM ONLY		SCALE ---	MODEL NO. 55604-***70
	10 UNDER	±0.2	DRAWN BY HSHIMABU	DATE '04/02/19	TITLE 0.4 B-TO-B PLUG ASSY W/GDE HGT=1.5 EMBSTP PKG -LEAD FREE-	DESIGN UNITS METRIC
	10 OVER 30 UNDER	±0.25	CHECKED BY KTOJO	DATE '04/02/19	MOLEX INCORPORATED MOLEX INCORPORATED AND SHOULD NOT BE USED WITHOUT WRITTEN PERMISSION	THIRD ANGLE PROJECTION
	30 OVER	±0.3	APPROVED BY MSASAO	DATE '04/02/19		SHEET NO. 1 OF 3
	ANGULAR ±3 °		MATERIAL NO. SEE CHART		DOCUMENT NO. SD-55604-011	
DRAFT WHERE APPLICABLE MUST REMAIN WITHIN DIMENSIONS		SIZE A3				

10 9 8 7 6 5 4 3 2 1

F

E

D

C

B

A

F

E

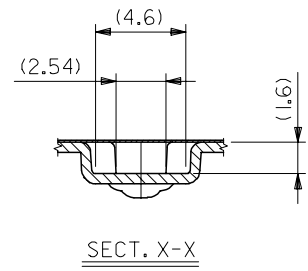
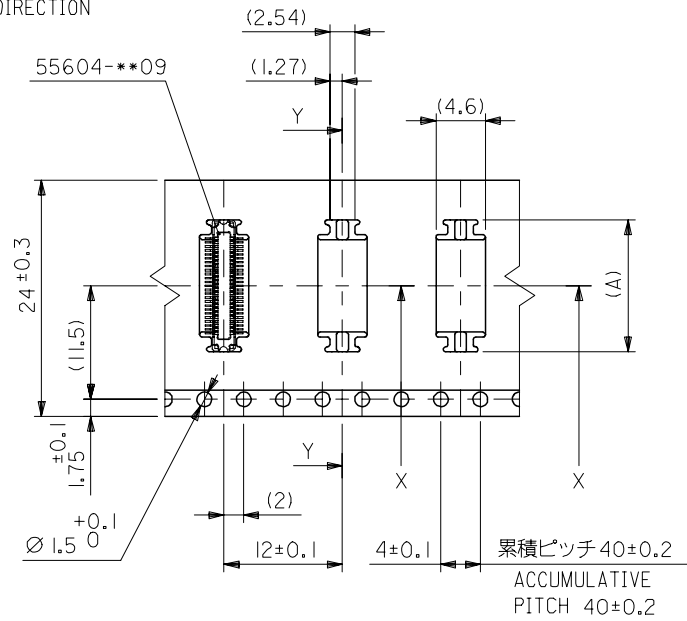
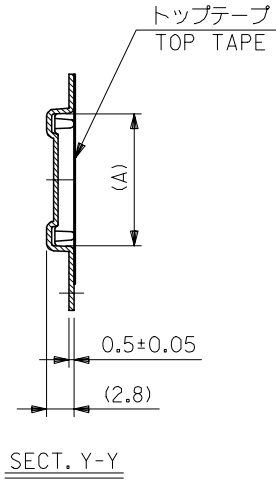
D

C

B

A

引き出し方向  
PULL OUT  
DIRECTION



24mm幅キャリアテープ  
24mm WIDTH CARRIER TAPE

24	29.4	25.4	13.39	55604-5070	50
			12.19	55604-4470	44
			11.39	55604-4070	40
			9.39	55604-3070	30
			8.19	55604-2470	24
			7.79	55604-2270	22
キャリアテープ幅 CARRIER TAPE WIDTH	C	B	(A)	MATERIAL NO.	極数 CK+

REVISED EC NO: J2005-1377 DRAWN: MABEI CHKD: KTOJO APPR: NUKITA	GENERAL TOLERANCES (UNLESS SPECIFIED)		DIMENSION STYLE MM ONLY		SCALE ---	MODEL NO. 55604-***70	DESIGN UNITS METRIC	THIRD ANGLE PROJECTION	
	10 UNDER	±0.2	DRAWN BY HSHIMABU	DATE '04/02/19	TITLE 0.4 B-TO-B PLUG ASSY W/GDE HGT=1.5 EMBSTP PKG -LEAD FREE-				
	10 OVER 30 UNDER	±0.25	CHECKED BY KTOJO	DATE '04/02/19	APPROVED BY MSASAO				
	30 OVER	±0.3	APPROVED BY MSASAO		DATE '04/02/19	MATERIAL NO. SEE CHART			
	ANGULAR	±3 °	DRAFT WHERE APPLICABLE MUST REMAIN WITHIN DIMENSIONS		DOCUMENT NO. SD-55604-011		SHEET NO. 2 OF 3		

9

8

7

6

5

4

3

2

10 9 8 7 6 5 4 3 2 1

F

E

D

C

B

A

F

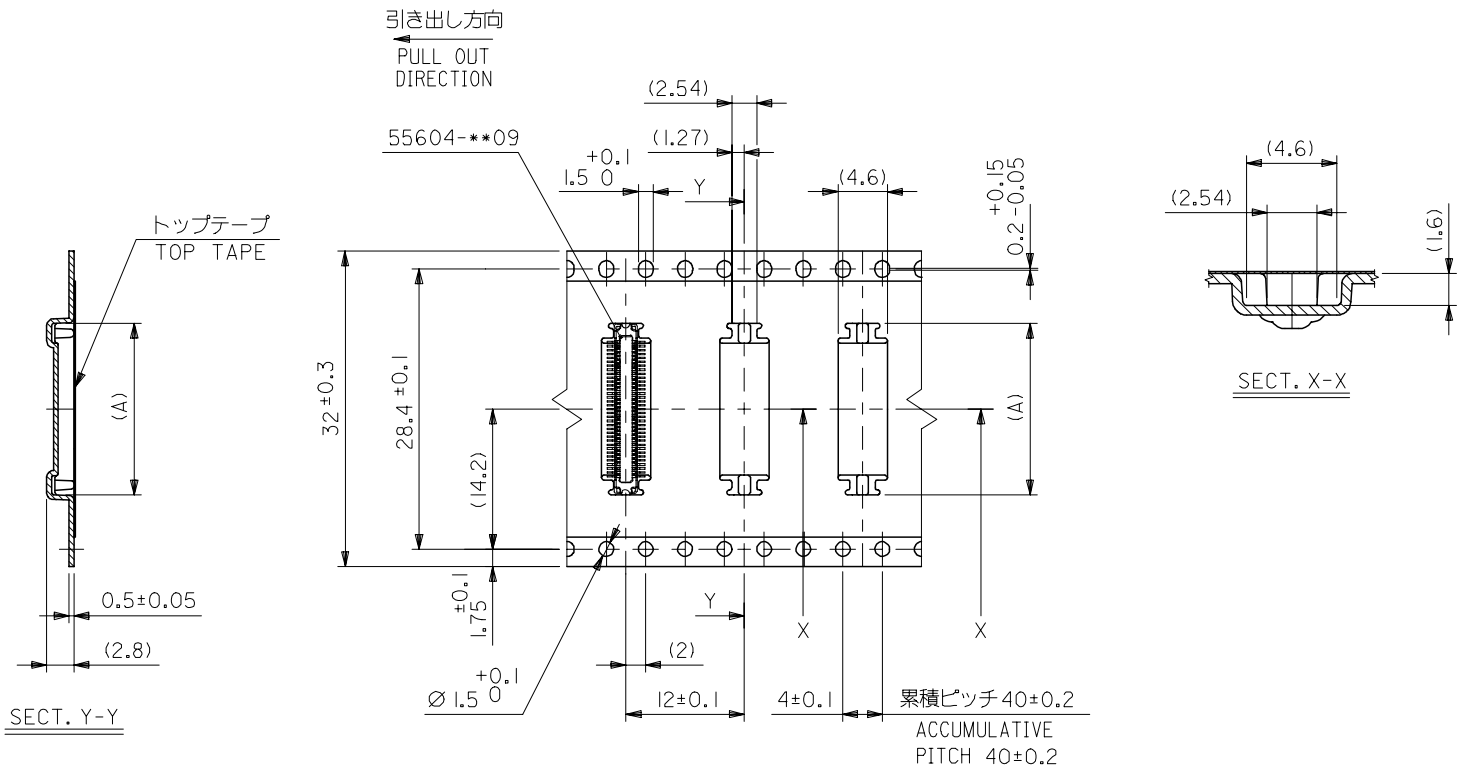
E

D

C

B

A



32mm幅キャリアテープ  
32mm WIDTH CARRIER TAPE

32	37.4	33.4	19.39	55604-8070	80
			17.39	55604-7070	70
キャリアテープ幅 CARRIER TAPE WIDTH	C	B	(A)	MATERIAL NO.	極数 CK+

REVISED EC NO: J2005-1377 DRWN: MNABEI 2004/11/10 CHKD: KTOJO 2004/11/10 APPR: NUKITA 2004/11/10 REV A	GENERAL TOLERANCES (UNLESS SPECIFIED)		DIMENSION STYLE MM ONLY		SCALE ---	DESIGN UNITS METRIC	MODEL NO. 55604-**70	THIRD ANGLE PROJECTION
	10 UNDER	±0.2	DRAWN BY HSHIMABU	DATE '04/02/19	TITLE 0.4 B-T0-B PLUG ASSY W/GDE HGT=1.5 EMBSTP PKG -LEAD FREE-			
	10 OVER 30 UNDER	±0.25	CHECKED BY KTOJO	DATE '04/02/19	APPROVED BY MSASAO			
	30 OVER	±0.3	APPROVED BY MSASAO		DATE '04/02/19	MOLEX INCORPORATED		
ANGULAR ±3 °		DRAFT WHERE APPLICABLE MUST REMAIN WITHIN DIMENSIONS		MATERIAL NO. SEE CHART		DOCUMENT NO. SD-55604-011	SHEET NO. 3 OF 3	
SIZE A3 THIS DRAWING CONTAINS INFORMATION THAT IS PROPRIETARY TO MOLEX INCORPORATED AND SHOULD NOT BE USED WITHOUT WRITTEN PERMISSION								