

# Network cable - NBC-FSD/ 2,0-93K/R4AC SCO



1411540

<https://www.phoenixcontact.com/gb/products/1411540>

Please be informed that the data shown in this PDF document is generated from our Online Catalog. Please find the complete data in the user documentation. Our General Terms of Use for Downloads are valid.



Network cable, Sercos CAT5 (100 Mbps), 4-position, shielded, Plug straight RJ45 / IP20, on Socket straight M12 SPEEDCON / IP67, coding: D, cable length: 2 m

## Commercial Data

Item number	1411540
Packing unit	1 pc
Minimum order quantity	1 pc
Sales Key	BF1CJO
Product Key	BF1CJO
GTIN	4046356933810
Weight per Piece (including packing)	163.5 g
Weight per Piece (excluding packing)	163.5 g
Customs tariff number	85444290
Country of origin	PL

# Network cable - NBC-FSD/ 2,0-93K/R4AC SCO



1411540

<https://www.phoenixcontact.com/gb/products/1411540>

## Technical Data

### Product properties

Product type	Data cable preassembled
Number of positions	4
Application	Standard
Shielded	yes
Coding	D - data

### Interfaces

Bus system	Sercos III
Signal type/category	Sercos CAT5 (IEC 11801), 100 Mbps

### LED signaling

Status display	No
Status display present	No

### Electrical properties

Nominal voltage $U_N$	48 V AC
	60 V DC
Nominal current $I_N$	1 A
Transmission medium	Copper

### Material specifications

Color Handle area	black
-------------------	-------

### Connector

#### Connection 1

Type	Plug straight RJ45 / IP20
Number of positions	4 (8)
Handle color	black
Material	CuSn (Contact)
	Ni/Au (Contact surface)
	PA (Contact carriers)
	PA (Housing)
Insertion/withdrawal cycles	≥ 750
Degree of protection	IP20
Ambient temperature (operation)	-25 °C ... 80 °C

#### Connection 2

Type	Socket straight M12 SPEEDCON / IP67
Number of positions	4
Coding type	D (Data)
Handle color	black

# Network cable - NBC-FSD/ 2,0-93K/R4AC SCO



1411540

<https://www.phoenixcontact.com/gb/products/1411540>

Material	CuSn (Contact)
	Ni/Au (Contact surface)
	TPU GF (Contact carriers)
	TPU, hardly inflammable, self-extinguishing (Grip)
	Zinc die-cast, nickel-plated (Screw connection)
Insertion/withdrawal cycles	≥ 100
Contact resistance	≤ 5 mΩ
Insulation resistance	≥ 100 MΩ
Tightening torque	0.4 Nm
Ambient temperature (operation)	-25 °C ... 90 °C

## Cable / line

Cable length	2 m
Cable weight	68 kg/km
UL AWM Style	21694 (60°C / 600 V)
Number of positions	4
Shielded	yes
Cable type	Sercos III [93K]
Signal runtime	5.3 ns/m
Conductor structure signal line	7x 0.25 mm
AWG signal line	22
Conductor cross section	4x 0.34 mm <sup>2</sup>
Wire diameter incl. insulation	approx. 1.55 mm
External cable diameter	6.5 mm ±0.2 mm
Outer sheath, material	PVC
External sheath, color	signal red RAL 3020
Conductor material	Tin-plated Cu litz wires
Material wire insulation	PE
Single wire, color	White, yellow, blue, orange
Thickness, outer sheath	approx. 0.9 mm
Type of pair shielding	Aluminum-lined polyester foil
Overall twist	Star quad
Max. conductor resistance	≤ 120 Ω/km
Insulation resistance	≥ 0.5 GΩ*km
Coupling resistance	≤ 20.00 mΩ/m (at 10 Hz)
Wave impedance	100 Ω ±15 Ω (at 100 MHz)
Nominal voltage, cable	600 V
Test voltage Core/Core	2000 V (50 Hz, 1 min.)
Test voltage Core/Shield	2000 V (50 Hz, 1 min.)
Minimum bending radius, fixed installation	3 x D
Minimum bending radius, flexible installation	7 x D
Flame resistance	according to UL 1685 (CSA FT 4)
Resistance to oil	Resistant to oil to a limited extent
Other resistance	UV resistant According to UL 1581, Section 1200

# Network cable - NBC-FSD/ 2,0-93K/R4AC SCO



1411540

<https://www.phoenixcontact.com/gb/products/1411540>

Ambient temperature (operation)	-40 °C ... 70 °C (cable, fixed installation)
	-40 °C ... 70 °C (Cable, flexible installation)
Ambient temperature (installation)	-20 °C ... 60 °C
Signal type/category	Sercos CAT5 (IEC 11801), 100 Mbps

## Ambient conditions

Degree of protection	IP65 (M12 connector)
	IP67 (M12 connector)
	IP20 (RJ45 connector)
Degree of protection	IP67/IP20
Ambient temperature (operation)	-25 °C ... 85 °C (M12 connector)
	-25 °C ... 60 °C (RJ45 connector)

## Standards and regulations

### M12

Standards/specifications	IEC 61076-2-101
--------------------------	-----------------

# Network cable - NBC-FSD/ 2,0-93K/R4AC SCO

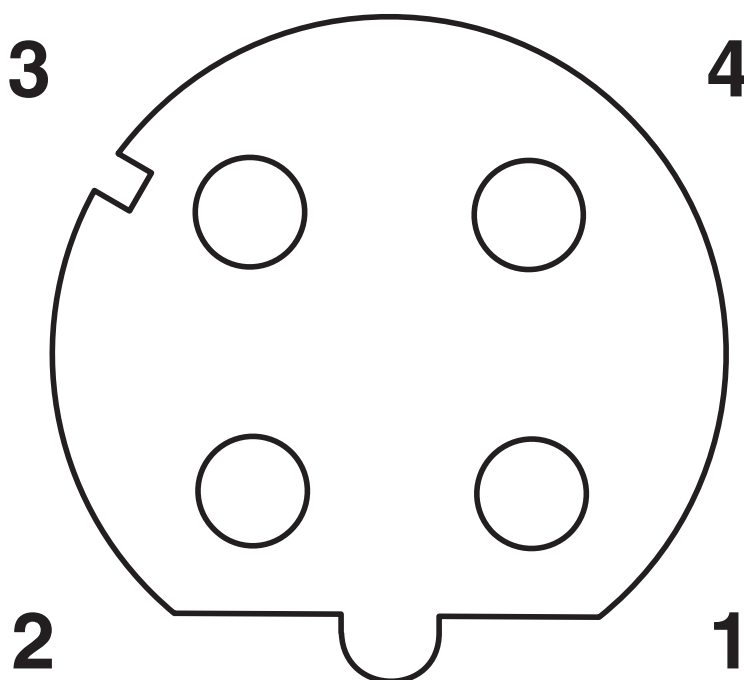
1411540

<https://www.phoenixcontact.com/gb/products/1411540>



## Drawings

Schematic diagram



Pin assignment M12 socket, 4-pos., D-coded, female side

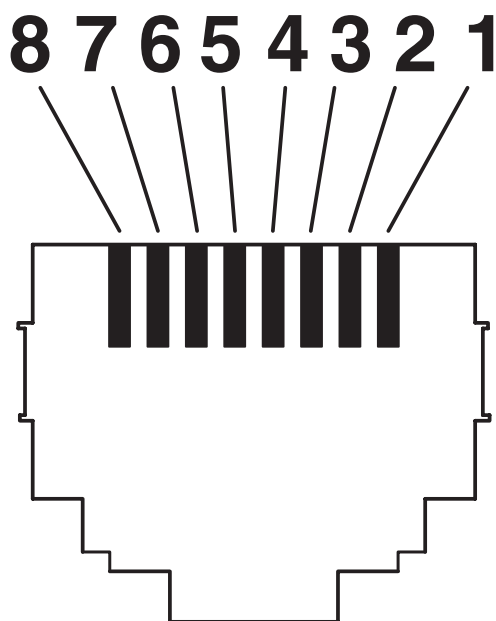
# Network cable - NBC-FSD/ 2,0-93K/R4AC SCO

1411540

<https://www.phoenixcontact.com/gb/products/1411540>



Schematic diagram



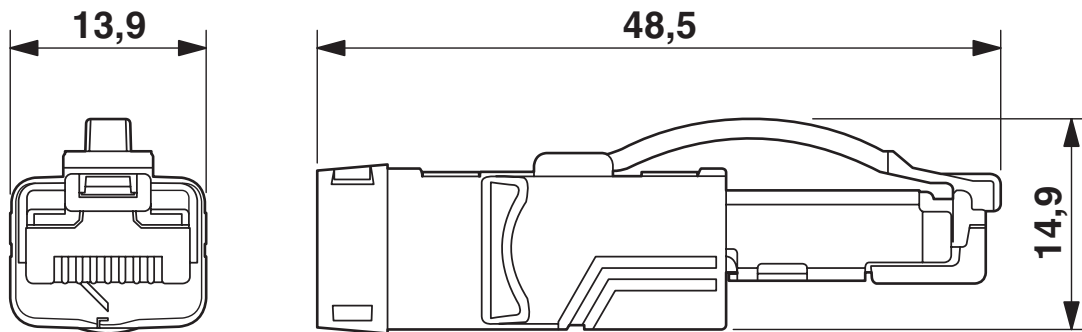
Connector pin assignment plug RJ45

# Network cable - NBC-FSD/ 2,0-93K/R4AC SCO

1411540

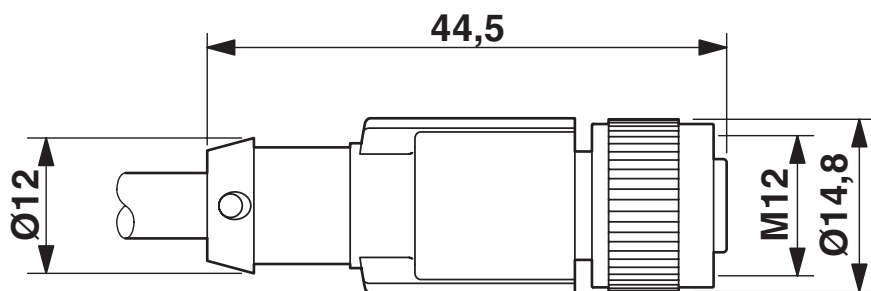
<https://www.phoenixcontact.com/gb/products/1411540>

Dimensional drawing



RJ45 connector, IP20

Dimensional drawing



M12 x 1 socket, straight, shielded

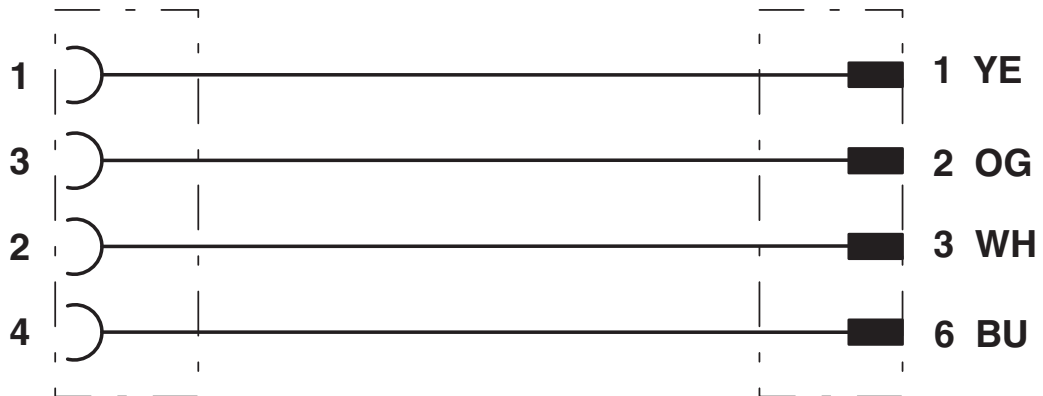
# Network cable - NBC-FSD/ 2,0-93K/R4AC SCO



1411540

<https://www.phoenixcontact.com/gb/products/1411540>

Circuit diagram





# Network cable - NBC-FSD/ 2,0-93K/R4AC SCO



1411540

<https://www.phoenixcontact.com/gb/products/1411540>

## Classifications

### ECLASS

ECLASS-9.0	27060308
ECLASS-10.0.1	27060308
ECLASS-11.0	27060307

### ETIM

ETIM 8.0	EC001855
----------	----------

### UNSPSC

UNSPSC 21.0	26121600
-------------	----------

# Network cable - NBC-FSD/ 2,0-93K/R4AC SCO



1411540

<https://www.phoenixcontact.com/gb/products/1411540>

## Environmental Product Compliance

China RoHS	Environmentally friendly use period: unlimited = EFUP-e
	No hazardous substances above threshold values

# Network cable - NBC-FSD/ 2,0-93K/R4AC SCO



1411540

<https://www.phoenixcontact.com/gb/products/1411540>

## Accessories

### Torque screwdriver

Torque screwdriver - TSD 04 SAC - 1208429

<https://www.phoenixcontact.com/gb/products/1208429>



Torque screwdriver, with preset torque of 0.4 Nm and 4 mm hexagonal drive for M12 connectors

---

### Torque screwdriver

Torque screwdriver - TSD-M 1,2NM - 1212224

<https://www.phoenixcontact.com/gb/products/1212224>



Torque screw driver, accuracy as per EN ISO 6789 standard, adjustable from 0.3 - 1.2 Nm

# Network cable - NBC-FSD/ 2,0-93K/R4AC SCO



1411540

<https://www.phoenixcontact.com/gb/products/1411540>

## Adapter insert

Adapter insert - TSD-M SAC-BIT ADAPTER - 1212600

<https://www.phoenixcontact.com/gb/products/1212600>



Adapter bit for TSD-M...torque tools, E6.3-1/4" drive with 4 mm hexagon to accommodate SAC bits

---

## Tool

Tool - SAC BIT M12-D15 - 1208432

<https://www.phoenixcontact.com/gb/products/1208432>



Nut for assembling sensor/actuator cables with M12 connector and M12 connectors for assembly, with a knurl diameter of 15 mm, for 4 mm hexagonal drive

# Network cable - NBC-FSD/ 2,0-93K/R4AC SCO



1411540

<https://www.phoenixcontact.com/gb/products/1411540>

## Screw plug

Screw plug - PROT-M12 MS-PA-CHAIN - 1430899

<https://www.phoenixcontact.com/gb/products/1430899>

M12 sealing cap with fixing band, for sensor cables, for free M12 sockets



## Locking clip

Locking clip - SAC-M12-EXCLIP-F - 1558991

<https://www.phoenixcontact.com/gb/products/1558991>

Locking clip for the socket side of sensor/actuator cables with M12 connector and M12 connectors for assembly, for knurl diameter: 15 mm or for Allen key with a wrench size of 14 mm, prevents the disconnection of plug-in connections without tools



Phoenix Contact 2022 © - all rights reserved

<https://www.phoenixcontact.com>

PHOENIX CONTACT Ltd

Halesfield 13, Telford

Shropshire, TF7 4PG

01952 681700

[info@phoenixcontact.co.uk](mailto:info@phoenixcontact.co.uk)