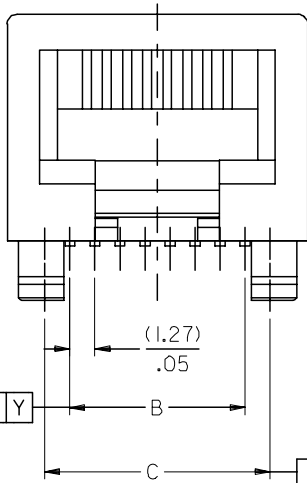
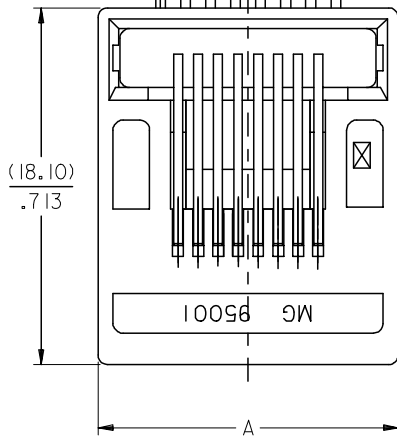


### 6 & 8 VERSIONS

8 VERSION SHOWN

CIRCUIT I  
(8 CKTS VERSION)

CIRCUIT I  
(6 CKTS VERSION)



$\equiv (\varnothing .10) / .004 Y$

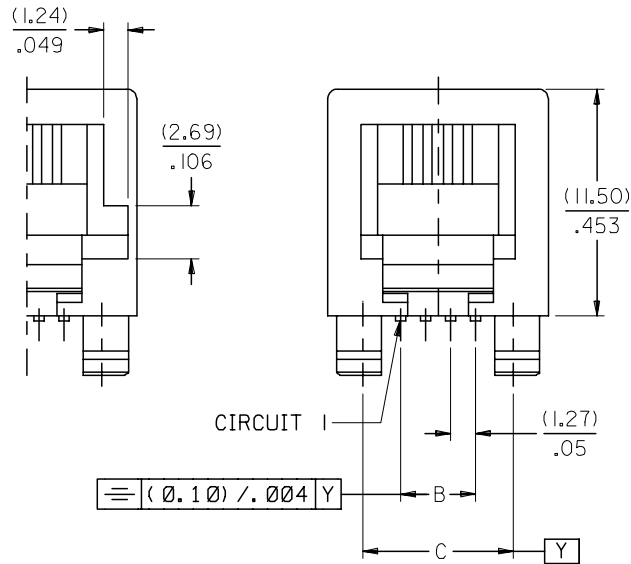
### NOTES :

#### 1- MATERIAL:

-HOUSING: POLYAMIDE 4/6 FIBER GLASS FILLED UL 94-V0,  
COLOR GREY.  
SPECIAL VERSION COLOR BLACK

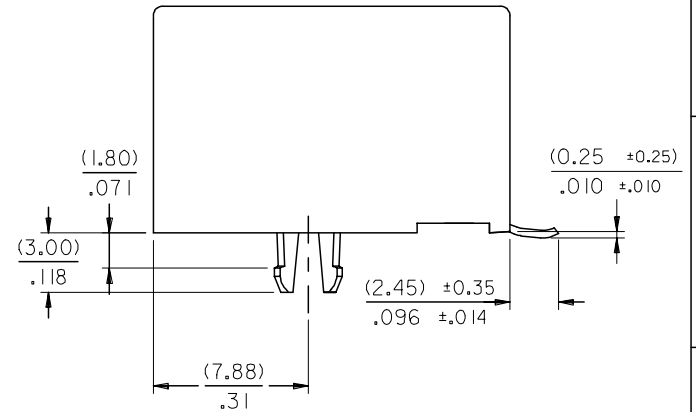
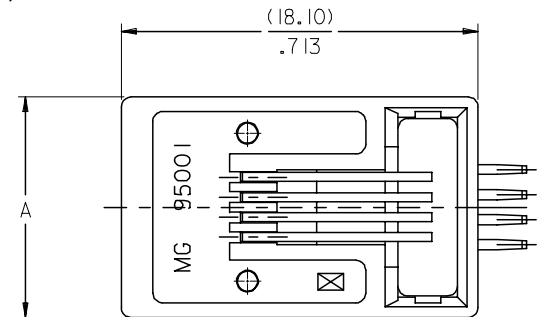
2- SEE OTHER NOTES SHEET 1

### OPTIONAL KEYING



$\equiv (\varnothing .10) / .004 Y$

### 4 VERSION ONLY



EC NO: MG2005-0106 2004/10/12 DRAWN: MARTIN 2004/10/12 CHKD: FCARABET 2004/10/12 APPR: KNOLLER 2004/10/13	QUALITY SYMBOLS ▽=0 ▽=0	GENERAL TOLERANCES (UNLESS SPECIFIED)		DIMENSION STYLE	SCALE	DESIGN UNITS	THIRD ANGLE PROJECTION	
		4 PLACES ± --- ± ---	3 PLACES ± --- ± .006	MM/IN	4:1	METRIC	TITLE	
		2 PLACES ± 0.15 ± .010	1 PLACE ± 0.25 ± ---				R/A LOW PROFILE PC JACK 4,6,8 CKTS SIZE SMT VERSION	
		ANGULAR ± ---°					MOLEX INCORPORATED	
		DRAFT WHERE APPLICABLE MUST REMAIN WITHIN DIMENSIONS		SEE CHART SHEETS 4,5&6		DOCUMENT NO.	SHEET NO.	
				SIZE A3		SDA-95001	2 OF 9	

