

Round cable - VIP-CAB-FLK14/AXIO/0,14/1,5M



2901606

<https://www.phoenixcontact.com/pc/products/2901606>

Please be informed that the data shown in this PDF document is generated from our Online Catalog. Please find the complete data in the user documentation. Our General Terms of Use for Downloads are valid.



Round cable set; controller: Axioline Realtime I/O; connection 1: Single wires (8-position) (The wires are marked and fitted with ferrules); connection 2: IDC/FLK socket strip (1x 14-position, 90°-out put); cable length: 1.5 m

Your advantages

- 8 pre-assembled open ends, for connection to the Axioline realtime I/O system
- 14-pos. connector, molded
- Labeling field on plug
- 1:1 connection
- Transmission of groups of 8 channels

Commercial Data

Item number	2901606
Packing unit	1 pc
Minimum order quantity	1 pc
Product Key	CK2345
Catalog Page	Page 485 (C-5-2019)
GTIN	4046356616492
Weight per Piece (including packing)	89.2 g
Weight per Piece (excluding packing)	89.2 g
Customs tariff number	85444290
Country of origin	DE

Round cable - VIP-CAB-FLK14/AXIO/0,14/1,5M



2901606

<https://www.phoenixcontact.com/pc/products/2901606>

Technical Data

Product properties

Product type	System cable
--------------	--------------

Insulation characteristics

Overvoltage category	II
Pollution degree	2
Insulation	Functional insulation

Ambient conditions

Degree of protection	IP00 ≥ IP54 (Installation location)
Ambient temperature (operation)	-40 °C ... 70 °C (fixed installation) -10 °C ... 70 °C (flexible installation)
Ambient temperature (storage/transport)	-40 °C ... 80 °C
Altitude	≤ 2000 m

Electrical properties

Max. permissible operating voltage	25 V AC 60 V DC
Nominal operating mode	100% operating factor
Max. current carrying capacity per path	1 A (50 °C) 0.6 A (70 °C)
Rated insulation voltage	63 V
Rated surge voltage	0.6 kV

Supported controller PHOENIX CONTACT Axioline

Suitable I/O card	AXL F DI16...
	AXL F DI32...
	AXL F DI64...
	AXL F DO16...
	AXL F DO32...
	AXL F DO64...
	AXL F DI16/DO16...
	AXL F DI16/DO8...
	AXL SE DI16...
	AXL SE DO16...

Cable / line

Cable length	1.5 m
--------------	-------

10X0.14 [PVC]

UL AWM Style	2464/1061
Number of positions	10

Round cable - VIP-CAB-FLK14/AXIO/0,14/1,5M



2901606

<https://www.phoenixcontact.com/pc/products/2901606>

Shielded	no
Cable type	10X0.14 [PVC]
Conductor type	Round cable set
Conductor structure signal line	7x 0.16 mm
AWG signal line	26
Conductor cross section	10x 0.14 mm ²
Wire diameter incl. insulation	1 mm ±0.03 mm
External cable diameter	6.1 mm ±0.4 mm
Outer sheath, material	Semi-rigid PVC
External sheath, color	gray
Conductor material	Tin-plated Cu litz wires
Cable resistance	≤ 145 Ω/km (20 °C)
Insulation resistance	≥ 20 MΩ*km (20 °C)
Smallest bending radius, fixed installation	52 mm
Smallest bending radius, movable installation	98 mm
Max. bending cycles	5000
Halogen-free	no
Flame resistance	IEC 60332-1-2 (raw cable) VDE 0842, Part 332-1-2 (raw cable) IEC 60332-3-22 (raw cable) UL VW-1 CSA FT-1
Resistance to oil	can withstand occasional splashes (raw cable)
Type	Cable for one module
Cable, preassembly	Insulation displacement, IEC 60352-4/DIN EN 60352-4

color code

IDC/FLK14 (1)	() = black
IDC/FLK14 (2)	() = brown
IDC/FLK14 (3)	() = red
IDC/FLK14 (4)	() = orange
IDC/FLK14 (5)	() = yellow
IDC/FLK14 (6)	() = green
IDC/FLK14 (7)	() = blue
IDC/FLK14 (8)	() = violet

Connection data

Field level

Connection in acc. with standard	IEC 60603-13
Connection method	IDC/FLK socket strip
Number of connections	1
Number of positions	14
Exit angle	90 °
Conductor cross section AWG	26

Round cable - VIP-CAB-FLK14/AXIO/0,14/1,5M



2901606

<https://www.phoenixcontact.com/pc/products/2901606>

Insertion/withdrawal cycles	> 50
Pitch	2.54 mm

Controller level

Connection method	Single wires
Number of positions	8
Note	The wires are marked and fitted with ferrules

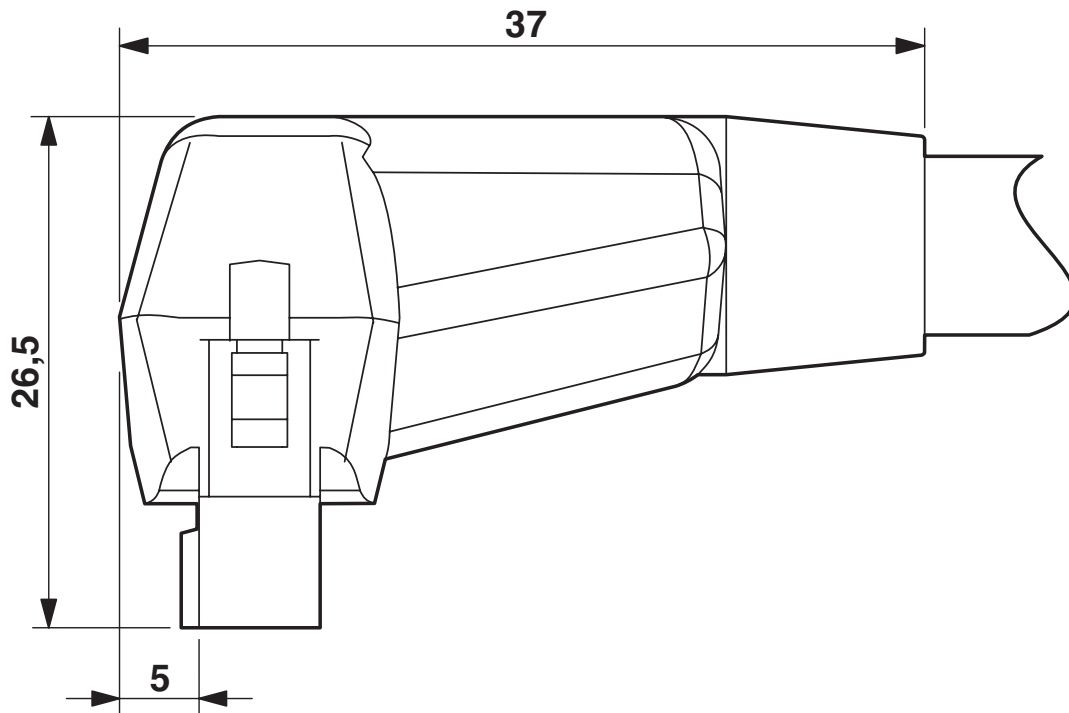
Standards and regulations

Air clearances and creepage distances

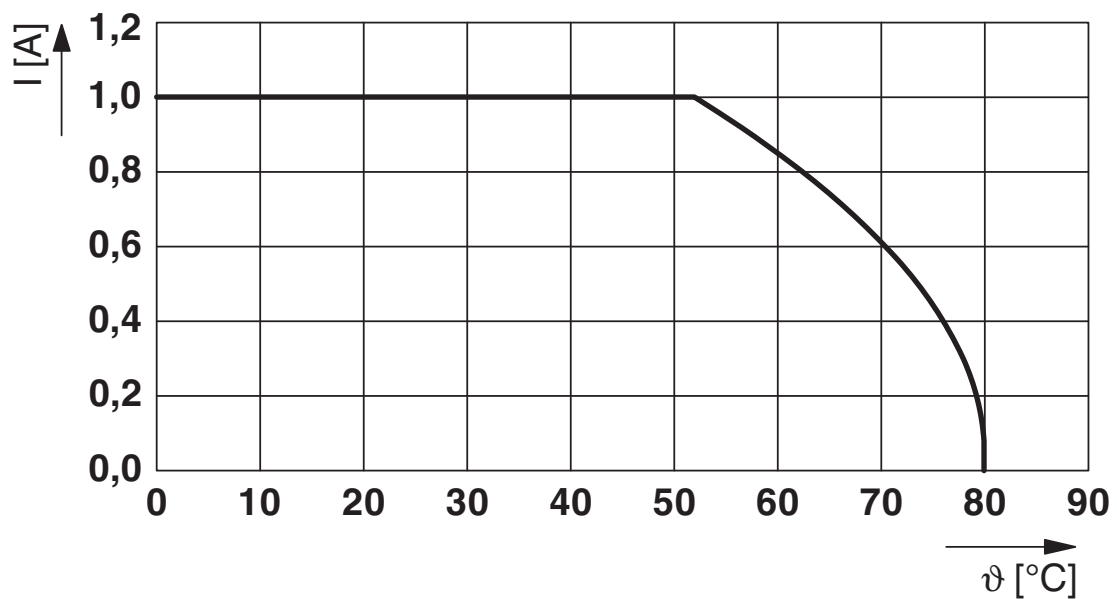
Standards/regulations	DIN EN 50178
-----------------------	--------------

Drawings

Dimensional drawing



Diagram



Maximum permissible current per path in uncoiled state

Round cable - VIP-CAB-FLK14/AXIO/0,14/1,5M



2901606

<https://www.phoenixcontact.com/pc/products/2901606>

Approvals



EAC

Approval ID: RU*-DE.HB*35.B00385



UL Listed

Approval ID: FILE E 238705

	Nominal Voltage U_N	Nominal Current I_N	Cross Section AWG	Cross Section mm^2
	125 V	1 A	-	-



cUL Listed

Approval ID: FILE E 238705

	Nominal Voltage U_N	Nominal Current I_N	Cross Section AWG	Cross Section mm^2
	125 V	1 A	-	-

cULus Listed

Round cable - VIP-CAB-FLK14/AXIO/0,14/1,5M



2901606

<https://www.phoenixcontact.com/pc/products/2901606>

Classifications

ECLASS

ECLASS-9.0	27242220
ECLASS-10.0.1	27242220
ECLASS-11.0	27242220

ETIM

ETIM 8.0	EC000237
----------	----------

UNSPSC

UNSPSC 21.0	26121600
-------------	----------

Round cable - VIP-CAB-FLK14/AXIO/0,14/1,5M



2901606

<https://www.phoenixcontact.com/pc/products/2901606>

Environmental Product Compliance

China RoHS	Environmentally friendly use period: unlimited = EFUP-e
	No hazardous substances above threshold values

Round cable - VIP-CAB-FLK14/AXIO/0,14/1,5M

2901606

<https://www.phoenixcontact.com/pc/products/2901606>



Accessories

Cable marker carrier

Cable marker carrier - KME - 0807083

<https://www.phoenixcontact.com/pc/products/0807083>



Cable marker carrier, white, unlabeled, mounting type: Assembly with cable ties, cable diameter: > 5 mm, lettering field size: 20 mm x 8 mm

Phoenix Contact 2023 © - all rights reserved
<https://www.phoenixcontact.com>

PHOENIX CONTACT GmbH & Co. KG
Flachmarktstraße 8
D-32825 Blomberg
+49 (0) 5235-3 00
info@phoenixcontact.com