



*Model 112ET*



*Model 1357ET/Wide-Vue*



*Model 55ET/Round*



*Model 109ET*



*Model 2153ET/Century*



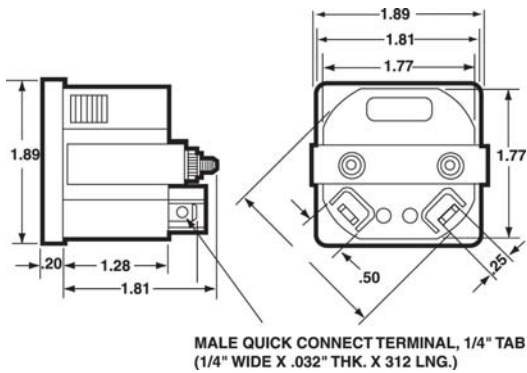
*Model 57ET/Rectangular*

**B  
25**

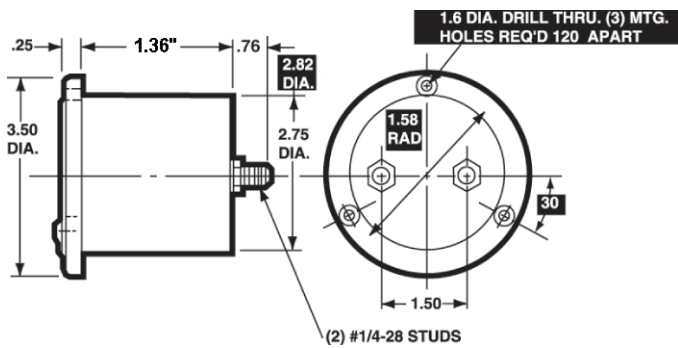
- Record "on" time of electrical equipment
- No reset capability means virtually tamper-proof
- Choice of AC or DC models
- 2 sizes and 6 different case styles

## Dimensions

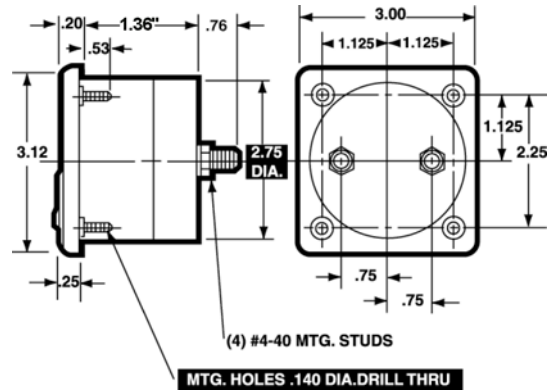
### 1-1/2" - Model 109ET



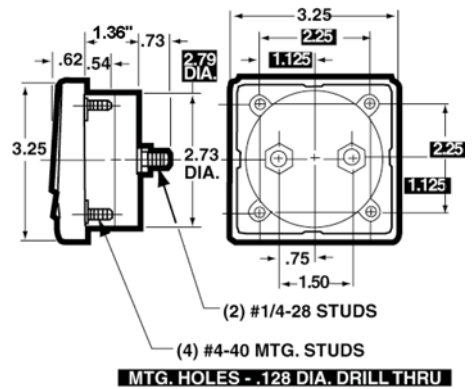
### 3 - 1/2" - Model 55ET



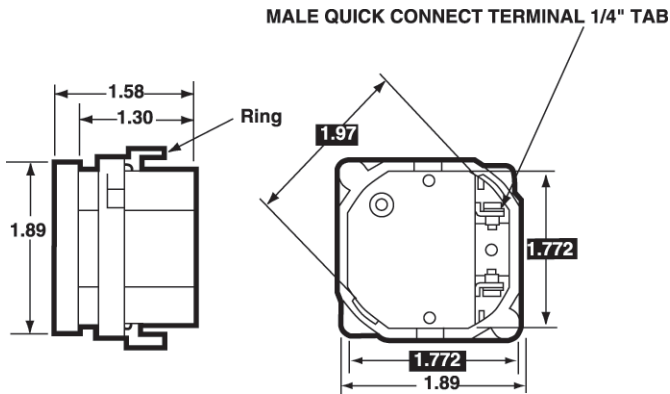
### 3 - 1/2" - Model 57ET



### 3 - 1/2" - Model 1357ET

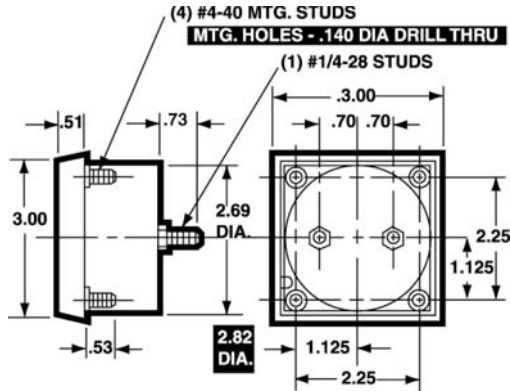


## 1-1/2"- Model 112ET



1 = Panel Meter Cut-out Dimensions

## 3 - 1/2"-Model 2153ET



MADE IN THE  
**USA**  
www.simpsonelectric.com

## Specifications

<b>Accuracy:</b>	Models 109ET & 112ET; <.01%/24HRS. Models 55ET, 57ET, 1357ET & 2153ET: Synchronous with AC power
<b>Movement:</b>	Synchronous clock motor
<b>Overload (1 sec.):</b>	10 times F.S.
<b>Maximum Indication:</b>	99,999.9 hours
<b>Power Consumption:</b>	Models 109ET, 112ET: .5 watts All other models: 2.5 watts
<b>Case:</b>	Models 55ET, 57ET, 2153ET: high density plastic Models 109ET, 112ET, 1357ET: high density black acrylic
<b>Operating Temperature:</b>	-4°F to +149°F (-20°C to +65°C)
<b>Net Weight:</b>	Models 112ET, 109ET: 2.5 oz (0.07kg) Models 55ET, 57ET: 12.5 oz (0.35kg) Model 1357ET, 2153ET: 13 oz (0.37kg)

## Ordering Information

Operating Voltage	Maximum Indication (hours)	Power Consumption	Accuracy	Model Size	Model Number	Catalog Number
10-80 DCV	99,999.9	.5 watt	≤.01%/24 hrs	1-1/2"	109ET	03618
120 VAC	99,999.99	.5 watt	≤.01%/24 hrs	1-1/2"	112ET	03622
120 VAC 60 Hz	99,999.9	2.5 watts	synchronous	3-1/2"	55ET	03580
	99,999.9	2.5 watts	synchronous		57ET	03590
	99,999.9	2.5 watts	synchronous		1357ET	03595
	99,999.9	2.5 watts	synchronous		2153ET	17720
240 VAC 60 Hz	99,999.9	2.5 watts	synchronous	3-1/2"	55ET	03600
	99,999.9	2.5 watts	synchronous		57ET	03610
	99,999.9	2.5 watts	synchronous		1357ET	03615
	99,999.9	2.5 watts	synchronous		2153ET	17721