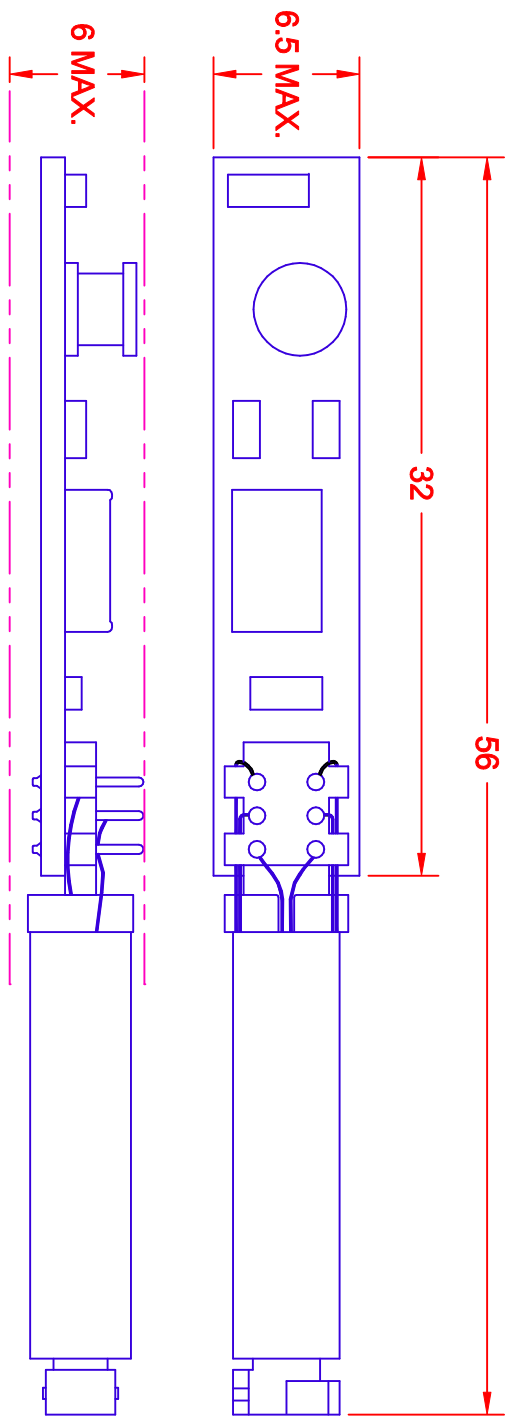
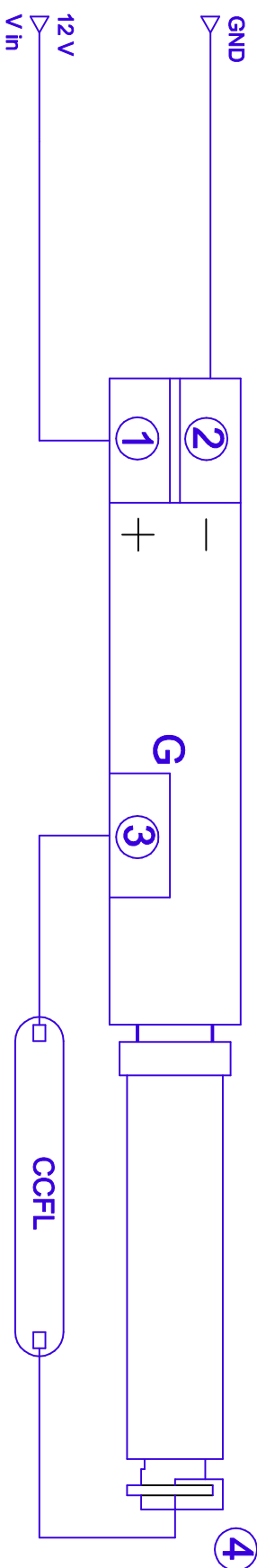


REV.	DESCRIPTION/ECO NO.	DATE
	RELEASED AS CAD DRW.	7/11/03

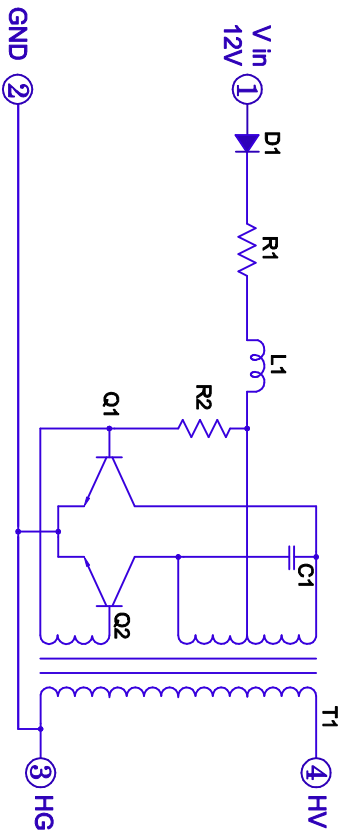


BOARD PIN #	INPUT
1	+V (V _{in})
2	V (GND)
3	OUT GND
4	V _{OUT}



OPERATING SPECIFICATIONS

CHARACTERISTICS	MIN	TYP	MAX
INPUT VOLTAGE: (Vdc)	10.0	12.0	15.0
INPUT CURRENT: (mA)	130	150	170
OUTPUT VOLTAGE: (Vrms)	700	800	900
OUTPUT CURRENT 2 X (mA)	3.0	4.0	5.0
OUTPUT FREQUENCY: (kHz)	85	105	125
OPERATING TEMP: (CELSIUS)	0	25	50



METRIC		DIMENSIONS ARE IN MILLIMETERS	
THIRD ANGLE PROJECTION		TOLERANCE UNLESS OTHERWISE SPECIFIED	
1 PL +/- 0.2		2 PL +/- 0.2	
ANGLE +/- 0		ANGLE +/- 0	
JKL COMPONENTS CORPORATION			
12V CCFL INVERTER			
DRAWN BY	DATE	SIZE	REV. NO.
L. WENGSTROM	7/11/03	A	55335
APPROVED BY	F.D.	SCALE	RELEASED DATE
	7/11/03	NONE	7/11/03
- CAD DRAWING -			REV. NO.
MANUAL REVISIONS NOT PERMITTED			OF
			SHEET