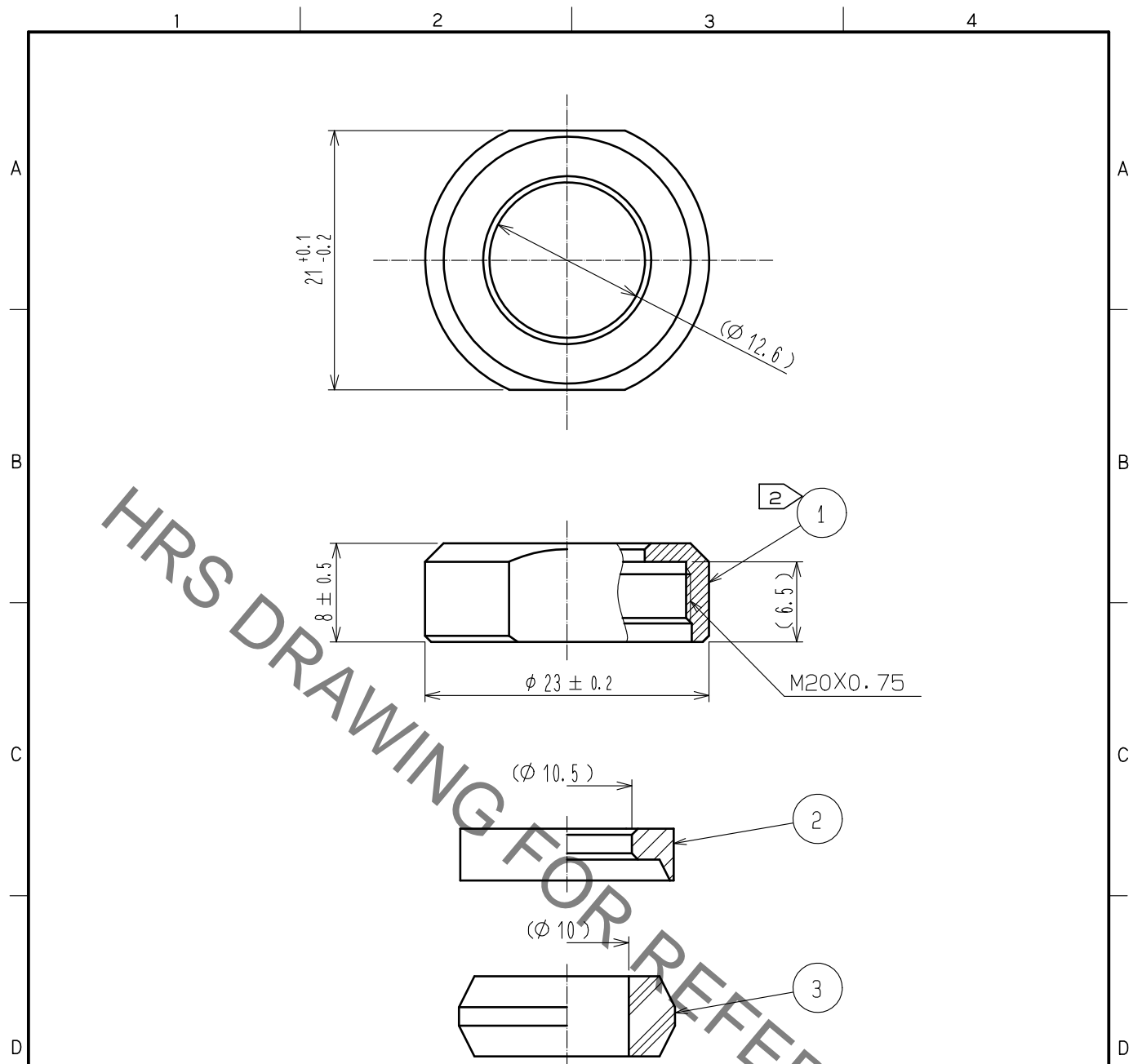


Oct.1.2019 Copyright 2019 HIROSE ELECTRIC CO., LTD. All Rights Reserved.
 In case of consideration for using Automotive equipment / device which demand high reliability, kindly contact our sales window correspondents.



- Notes
- 1 This product is delivered disassembled.
 - 2 The recommended clamp torque of REF. No. ① to be 3 to 3.5N·m
 Loctite 263, HENKEL JAPAN or equivalent is recommended
 to prevent REF. No. ① from loosening.
 - 3 The cable pull and twisting strength and other characteristics
 may differ, depending on the cable structure.
 Please confirm before the use.

2	Brass	Nickel plating		3	Silicone rubber	(Black)		
1	Brass	Chrome plating						
NO.	MATERIAL	FINISH	REMARKS	NO.	MATERIAL	FINISH	REMARKS	
UNITS mm		SCALE 2 : 1	COUNT 	DESCRIPTION OF REVISIONS		DESIGNED	CHECKED	DATE
HIROSE ELECTRIC CO., LTD.		APPROVED	·HY. KOBAYASHI	15.08.27	DRAWING NO.	EDC-110489-72-00		
		CHECKED	·HY. KOBAYASHI	15.08.27	PART NO.	JR16WCCA-10(72)		
		DESIGNED	·HY. KISHI	15.08.27	CODE NO.	CL114-2079-2-72		
		DRAWN	·HY. KISHI	15.08.27		1/1		