

ISSUE 1
REVISED AND
REDRAWN ON
CAD/CAM
3/25/92 TS

ISSUE 2
TEMECULA
WAS CARSON
REVISED DIM
30.5(1.20)MAX
WAS
31.8(1.25)MAX
02/01/96 TS

MODEL NUMBER
TTC-143-2

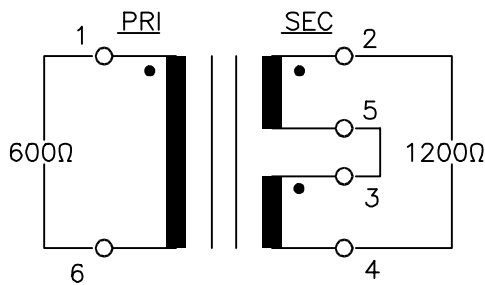
A. Electrical Specifications (@ 25 ° C)

1. Pri Source Impedance; 600 Ω
2. Sec Load Impedance; 600 Ω /600 Ω
3. Pri DC Unbalance Current; 50 mA
4. Operating Level; -45 dBm to +10 dBm
5. Insertion Loss; 1.6 dB MAX @ 1.0 KHz 0 dBm and DC50mA
6. Frequency Response (relative to 1.0 KHz)
 - +0.3dB -0.7dB @ 500 to 3500 Hz 0 dBm and DC50mA
 - +0.3dB -1.6dB @ 300 to 3500 Hz 0 dBm and DC50mA
7. Pri Impedance; 600 Ω ±10% @ 500 Hz 0 dBm and DC50mA
8. Pri Return Loss; 14 dB MIN @ 1.0 KHz 0 dBm and DC50mA
9. Longitudinal Balance; 60 dB MIN @ 200 to 1000 Hz
40 dB MIN @ 4000 Hz
10. Total Harmonic Distortion; 0.5% MAX @ 300 to 3500 Hz 0 dBm and DC50mA
11. DC Resistance;
 - (1-6) = 75 Ω ±10%
 - (2-4) = 170 Ω ±10% (3 and 5 shorted)
12. Turns Ratio; (1-6) : (2-4) = 1 : 1.41 ±2% (3 and 5 shorted)
(2-5) : (3-4) = 1 : 1.00 ±1%
13. Dielectric Strength;
 - 1500 Vrms 1 minute @ Pri to Sec, Pri to Core
 - 200 DC 1 minute @ Sec to Sec

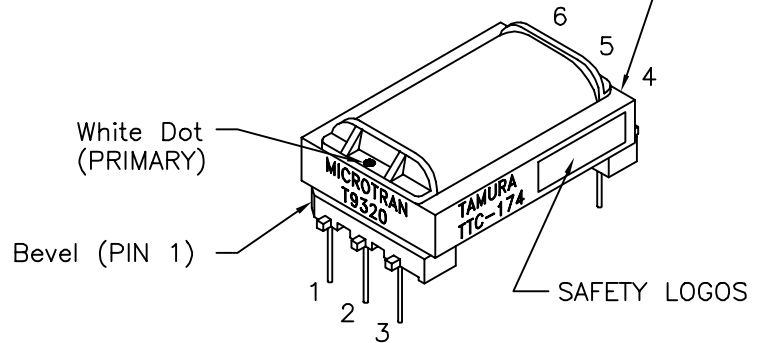
B. Marking; TTC-174, TAMURA, T9320, MICROTRAN, date code and country of origin

C. Safety; CSA 22.2 No. 66-M1988, File No. LR81383
UL1863 File No. E142035

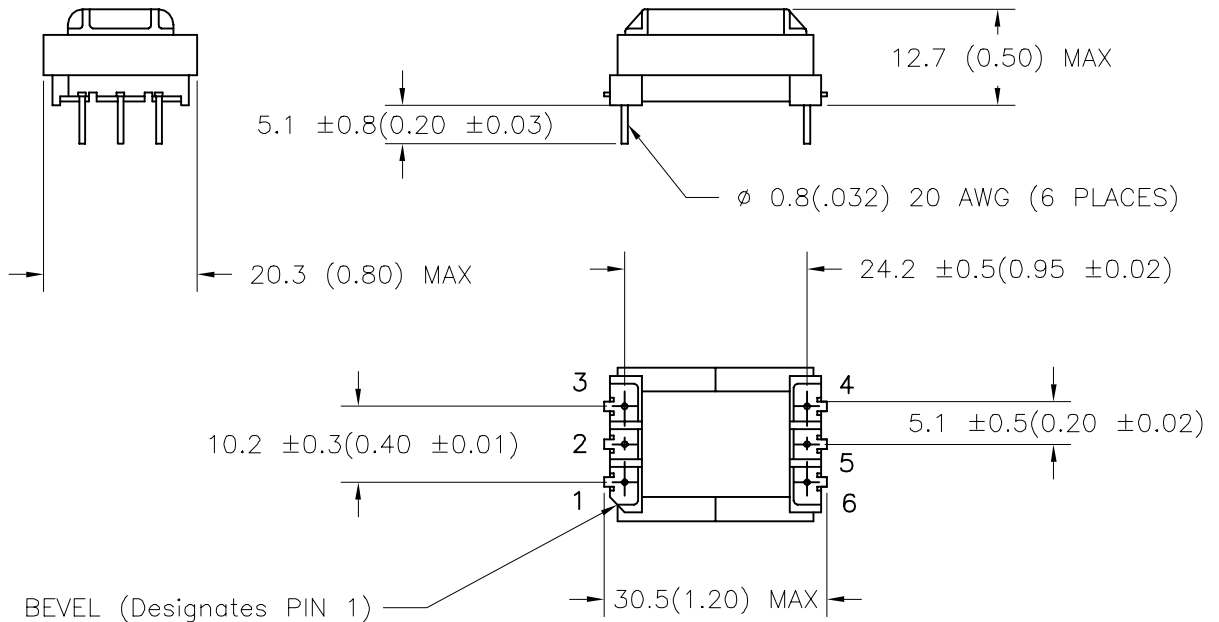
D. Schematic Diagram



Date code and country of origin



E. Mechanical Specifications



TOLERANCES (mm)	
≤ 4	± 0.2
4 ≤ 20	± 0.3
20 ≤ 50	± 0.4

PREPARED BY:

K. Brennan

ENGINEER:

T. Shiozawa

QUALITY CONTROL:

D. Kelley

APPROVED:

D. Kelley

DWG CONTROL NO.
P-A1-10036
ACAD\TTC\A1100361.DWG

REV
A

TELECOMMUNICATION COUPLING
TRANSFORMER

TAMURA CORPORATION OF AMERICA
43352 BUSINESS PARK DRIVE, TEMECULA, CA. 92590-6624
(909) 699-1270 FAX 9096769482

TTC-143-2
MODEL SPECIFICATION

DIM: mm(In) SCL: NONE SH: 1 OF 1

PROPRIETARY NOTICE: THIS DRAWING PRINT OR DOCUMENT AND SUBJECT MATTER DISCLOSED HEREIN ARE PROPRIETARY ITEMS TO WHICH TAMURA RETAINS THE EXCLUSIVE RIGHT OF DISSEMINATION, REPRODUCTION, MANUFACTURE AND SALE. THIS DRAWING, PRINT OR DOCUMENT IS SUBMITTED IN CONFIDENCE FOR CONSIDERATION BY THE RECIPIENT ALONE UNLESS PERMISSION FOR FURTHER DISCLOSURE IS EXPRESSLY GRANTED IN WRITING.