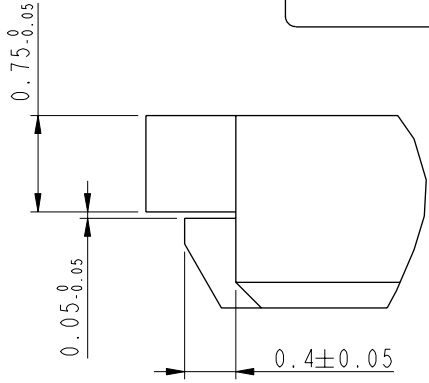
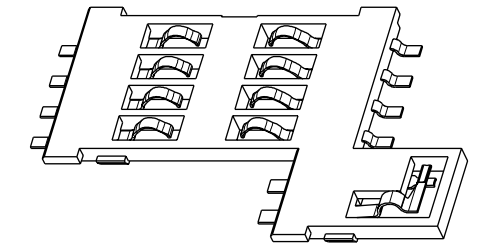
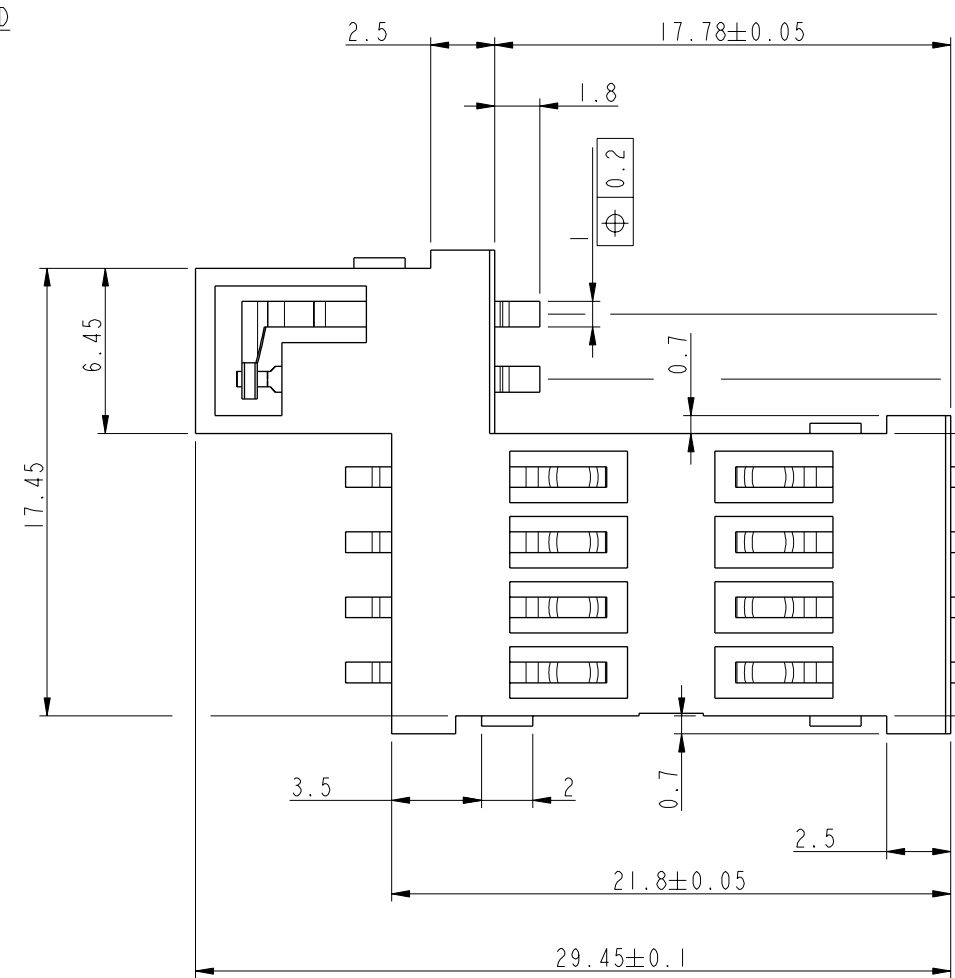
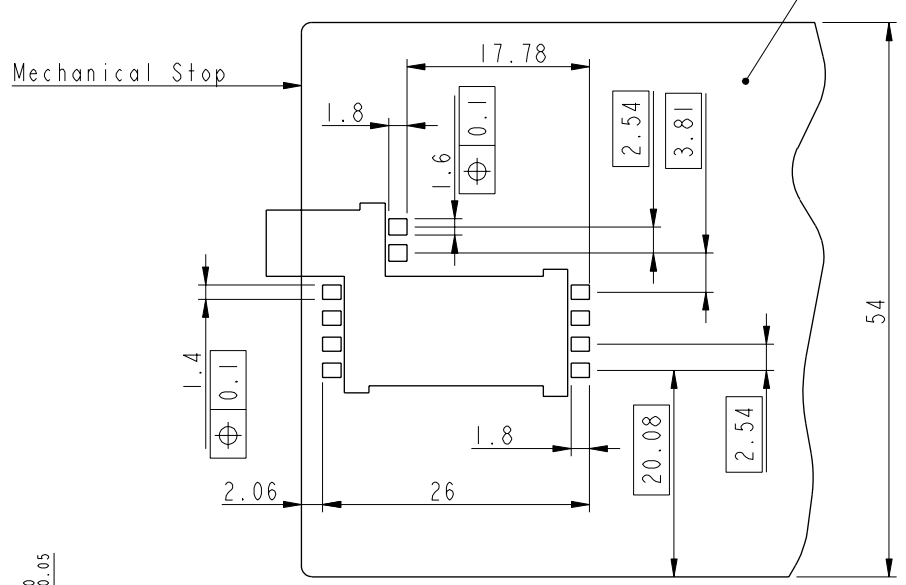
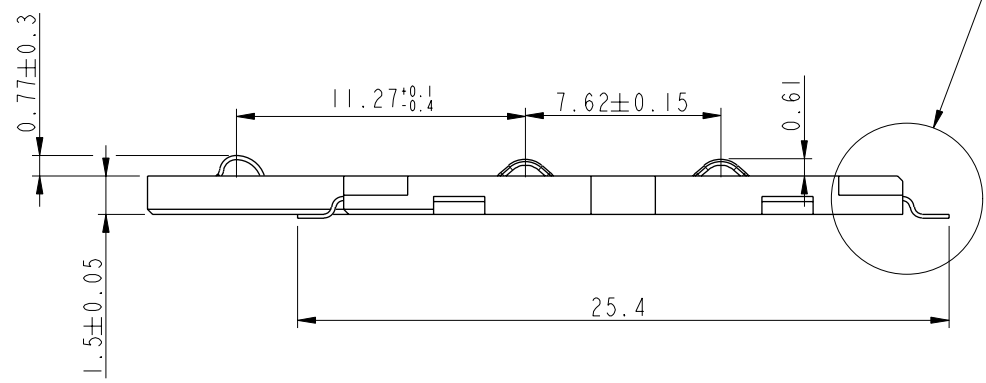


PCB Layout

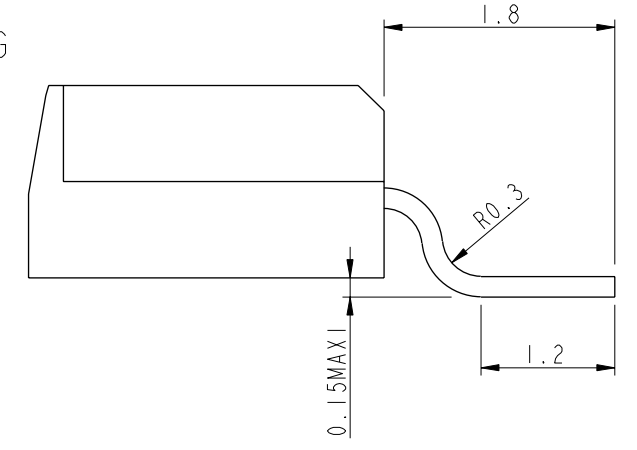
CARD



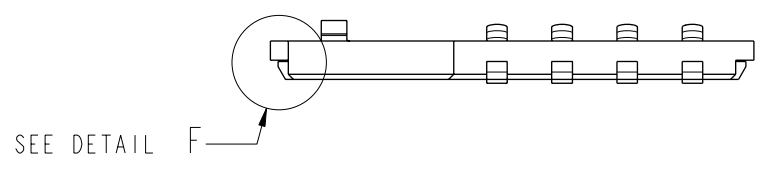
DETAIL F
SCALE 25:1



DETAIL G
SCALE 25:1



SEE DETAIL G



TIN LEAD PART NUMBER
7311S0725A01

NOTE RoHS INFORMATIONS

- The "LF" products meet European Union Directives and other country regulations as described in GS-22-008
- The housing will withstand exposure to 260°C peak temperature for 30 seconds in a convection, infra-red or vapor reflow oven. See application notes/procedures if they are available.
- Packaging spec: see GS-14-920

lfr	ecn no	dr	date
B	LS03-0008	JG	03/02/24
C	LS05-0029	LGO	05/04/04
D	LS05-0058	HLE	05/06/29
E	LS06-0119	HLE	06/08/08
F	109-0019	RPK	2009/02/06

www.fciconnect.com		surface	-	tolerance std	ISO 1302	ISO 406	ISO 1101	projection	mm
Dr	D. LEGRAND	02/04/29	ANGULAR	TOLERANCES UNLESS OTHERWISE SPECIFIED		0.X	±0.3	size	A2
Eng	F. TISSERAND	02/04/29	LINEAR	0.XX	±0.1	0.XXX	±0.05	Scale	5:1
Chr	-	-	0° ±2°	Product family		SIM		ECN	109-0019
Appr	JF. NOTTEAU	02/04/29		Spec ref					
FCJ		VJW 53696 CMS		catalog no		SEE TABLE		CUSTOMER	
Title		VJW 53696 CMS		catalog no		CUSTOMER		sheet 1 of 1	
Dwg no		VJW53696		Rev.		F			

Copyright FCI. **FCJ**