

# Device connector, rear mounting - SACCBP-M12FS-4CON-M16/5,0-990



1559848

<https://www.phoenixcontact.com/pc/products/1559848>

Please be informed that the data shown in this PDF document is generated from our Online Catalog. Please find the complete data in the user documentation. Our General Terms of Use for Downloads are valid.



Device connector, rear mounting, CC link, 4-position, PVC, red, similar to RAL 3000, Flush-type female connector, straight, M12-SPEEDCON, A-coded, on free cable end, Cable connection, cable length: 5 m, CC-Link item no.: 1240074

## Your advantages

- Pre-assembled with cables in various standard lengths for immediate use
- Customer-specific assemblies and cable lengths can be supplied
- Sealed on the cable side for optimum tightness of seal
- Cable designs for all common networks and fieldbuses
- For high transmission safety: shield connection to the housing with optional EMC nut

## Commercial Data

Item number	1559848
Packing unit	1 pc
Minimum order quantity	1 pc
Product Key	ABQCED
Catalog Page	Page 401 (PC-2011)
GTIN	4046356322157
Weight per Piece (including packing)	374.65 g
Weight per Piece (excluding packing)	374.65 g
Customs tariff number	85444290
Country of origin	DE

# Device connector, rear mounting - SACCBP-M12FS-4CON-M16/5,0-990



1559848

<https://www.phoenixcontact.com/pc/products/1559848>

## Technical Data

### Notes

#### Notes on operation

The electrical and mechanical data specified assume that the connector pair is correctly locked and mounted. If the connector is unlocked and if there is a danger of contamination, the connector must be sealed using a protective cap > IP54. Influences arising from litz wires, cables or PCB assembly must also be taken into consideration.

#### Safety note

#### Safety note

**WARNING:** The connectors may not be plugged in or disconnected under load. Ignoring the warning or improper use may damage persons and/or property.

- **WARNING:** Commission properly functioning products only. The products must be regularly inspected for damage. Decommission defective products immediately. Replace damaged products. Repairs are not possible.

- **WARNING:** Only electrically qualified personnel may install and operate the product. They must observe the following safety notes. The qualified personnel must be familiar with the basics of electrical engineering. They must be able to recognize and prevent danger. The relevant symbol on the packaging indicates that only personnel familiar with electrical engineering are allowed to install and operate the product.

- The products are suitable for applications in plant, controller, and electrical device engineering.

- When operating the connectors in outdoor applications, they must be separately protected against environmental influences.

- Assembled products may not be manipulated or improperly opened.

- Only use mating connectors that are specified in the technical data of the standards listed (e.g. the ones listed in the product accessories online at [phoenixcontact.com/products](https://www.phoenixcontact.com/products)).

- When using the product in direct connection with third-party manufacturers, the user is responsible.

- For operating voltages > 50 V AC, conductive connector housings must be grounded

- Ensure that when laying the cable, the tensile load on the connectors does not exceed the upper limit specified in the standards.

- Observe the corresponding technical data. You will find information:

- o On the product

- o On the packing label

- o In the supplied documentation

- o Online at [phoenixcontact.com/products](https://www.phoenixcontact.com/products) under the product

- Only use tools recommended by Phoenix Contact

- Use a protective cap to protect connectors that are not in use. The suitable accessories are available online in the accessory section of the product at [phoenixcontact.com/products](https://www.phoenixcontact.com/products)

# Device connector, rear mounting - SACCBP-M12FS-4CON-M16/5,0-990



1559848

<https://www.phoenixcontact.com/pc/products/1559848>

	<ul style="list-style-type: none"><li>• Ensure that the protective or functional ground has been properly connected.</li><li>• VDE 0100/1.97 § 411.1.3.2 and DIN EN 60 204/11.98 § 14.1.3 are applicable when combining several circuits in a cable and/or connector</li><li>• The connector warms up in normal operation. Depending on the ambient conditions, the surface of the connector can continue to warm up. In this case, the user is responsible for posting warnings (e.g. DIN EN ISO 13732-1:2008-12).</li></ul>
--	---

## Mounting

Mounting type	Rear mounting, M16 x 1.5 thread with flat nut
---------------	---

## Product properties

Product type	Circular connectors (device side)
Number of positions	4
No. of cable outlets	1
Shielded	yes
Coding	A - standard

## Insulation characteristics

Overvoltage category	II
Degree of pollution	3

## Material specifications

Flammability rating according to UL 94	V0
Sealing material	FKM
Contact material	CuZn
Contact surface material	Ni/Au
Contact carrier material	PA 6.6
Material for screw connection	Nickel-plated brass

## Electrical properties

Rated surge voltage	2.5 kV
Contact resistance	≤ 3 mΩ
Insulation resistance	≥ 10 MΩ
Nominal voltage $U_N$	250 V
Nominal current $I_N$	4 A (Plug/socket in accordance with IEC 61076-2-101, cable technical data is to be observed)
Transmission medium	Copper

## Connection data

### Conductor connection

Connection method	Cable connection
Type of contact	Crimp contacts

# Device connector, rear mounting - SACCBP-M12FS-4CON-M16/5,0-990



1559848

<https://www.phoenixcontact.com/pc/products/1559848>

Tightening torque	2 Nm
	3 Nm

## Connector

### Connection 1

Head design	Flush-type female connector
Head cable outlet	straight
Head thread type	M12
Head locking type	SPEEDCON
Coding	A-coded

### Connection 2

Head design	free cable end
-------------	----------------

## Cable / line

Cable length	5 m
--------------	-----

### CC-Link [990]

Cable weight	78.8 kg/km
Number of positions	3
Shielded	yes
Cable type	CC-Link [990]
Conductor structure	3xAWG20/7 + 1xAWG22/19 (filler litz wire)
Conductor structure signal line	7x 0.28 mm
AWG signal line	20
Conductor cross section	0.5 mm <sup>2</sup>
External cable diameter	7.7 mm
Outer sheath, material	PVC
External sheath, color	red
Conductor material	Bare Cu litz wires
Material wire insulation	foamed PE, with high density
Single wire, color	white, yellow, blue
Thickness, insulation	0.89 mm (Outer cable sheath)
Optical shield covering	78 %
Max. conductor resistance	31.2 Ω/km
Wave impedance	110 Ω
Working capacitance	61 pF
Nominal voltage, cable	300 V
Smallest bending radius, fixed installation	77 mm
Ambient temperature (operation)	-30 °C ... 60 °C (cable, fixed installation)
	-5 °C ... 60 °C (Cable, flexible installation)

## Ambient conditions

# Device connector, rear mounting - SACCBP-M12FS-4CON-M16/5,0-990



1559848

<https://www.phoenixcontact.com/pc/products/1559848>

Degree of protection	IP67 (When plugged in)
	IP65 (When plugged in)
Degree of protection	IP65/IP67
Ambient temperature (operation)	-25 °C ... 85 °C (Plug / socket)
	-40 °C ... 85 °C (without mechanical actuation)

# Device connector, rear mounting - SACCBP-M12FS-4CON-M16/5,0-990

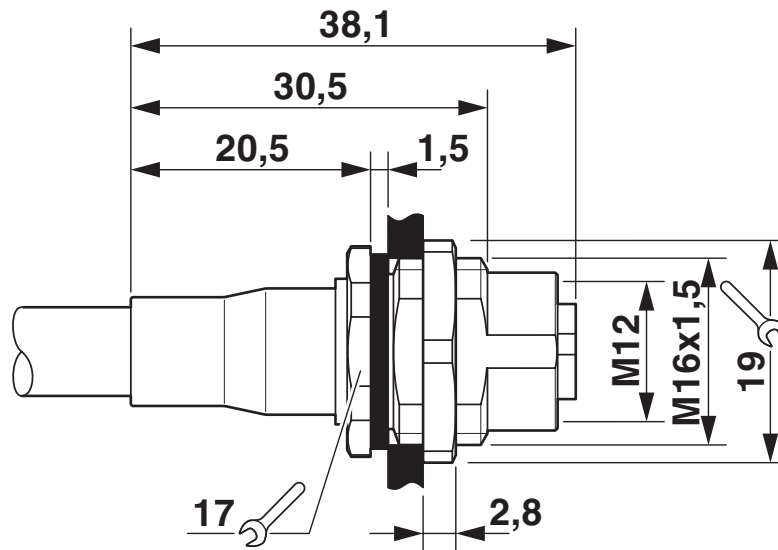


1559848

<https://www.phoenixcontact.com/pc/products/1559848>

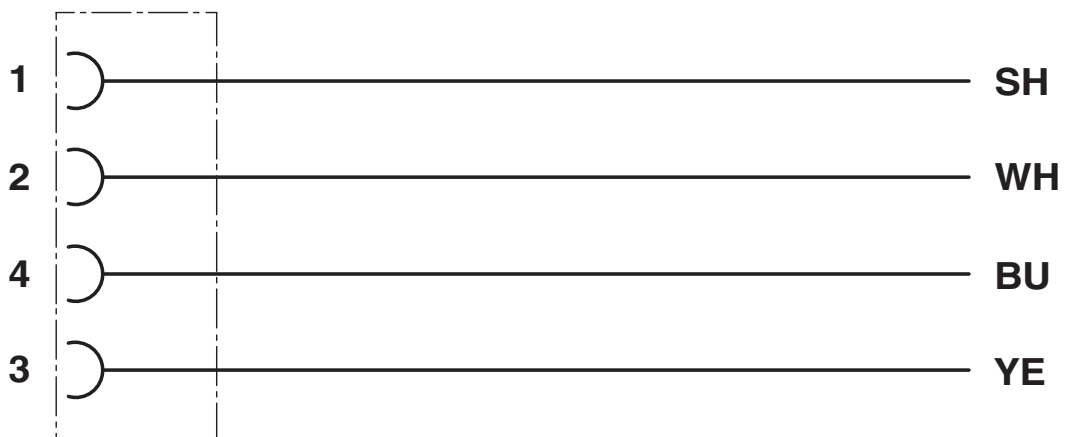
## Drawings

Dimensional drawing



M12 flush-type connector

Circuit diagram

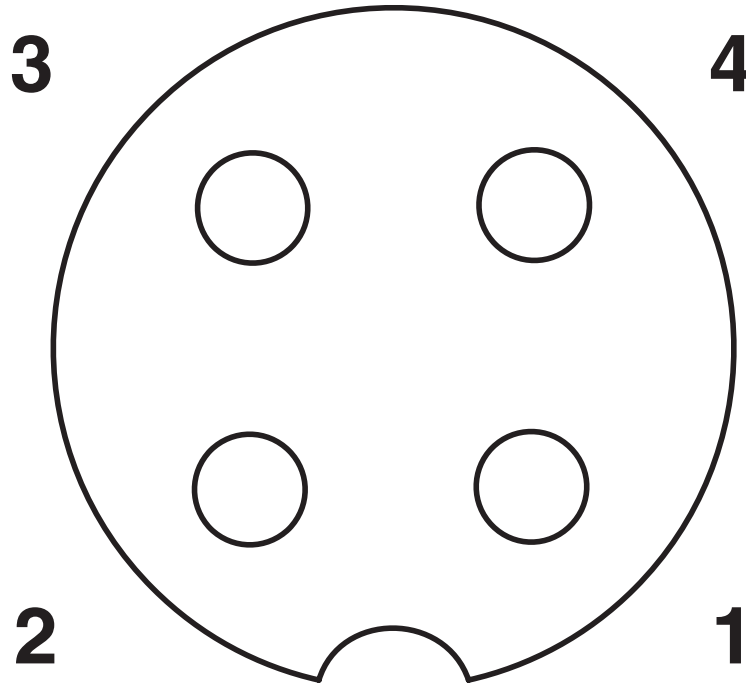


# Device connector, rear mounting - SACCBP-M12FS-4CON-M16/5,0-990

1559848

<https://www.phoenixcontact.com/pc/products/1559848>

Schematic diagram



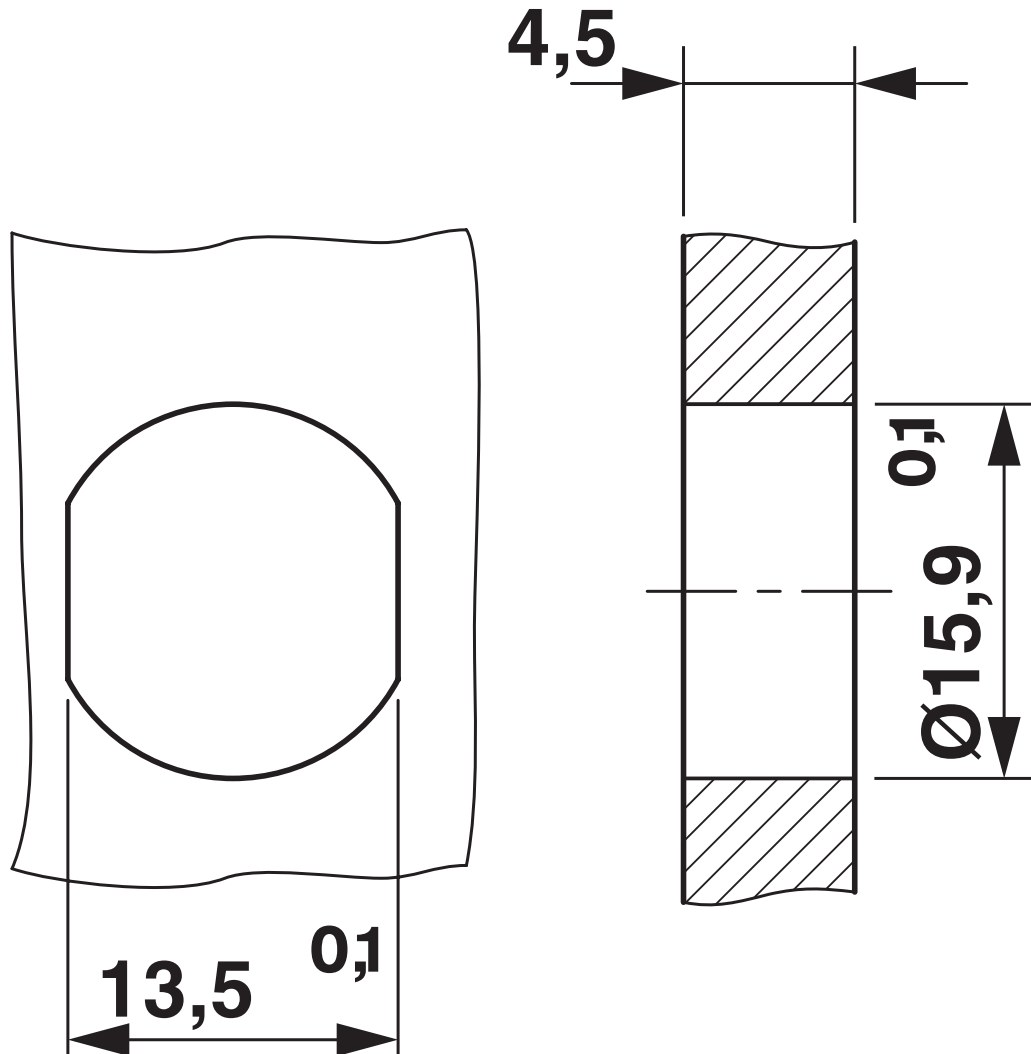
Pin assignment M12 socket, 4-pos., A-coded, view female side

Device connector, rear mounting - SACCBP-M12FS-4CON-M16/5,0-990

1559848

<https://www.phoenixcontact.com/pc/products/1559848>

Dimensional drawing



Housing cutout for M16 fastening thread, mounting panel with feed-through hole (alternatively with surface as protection against rotation)



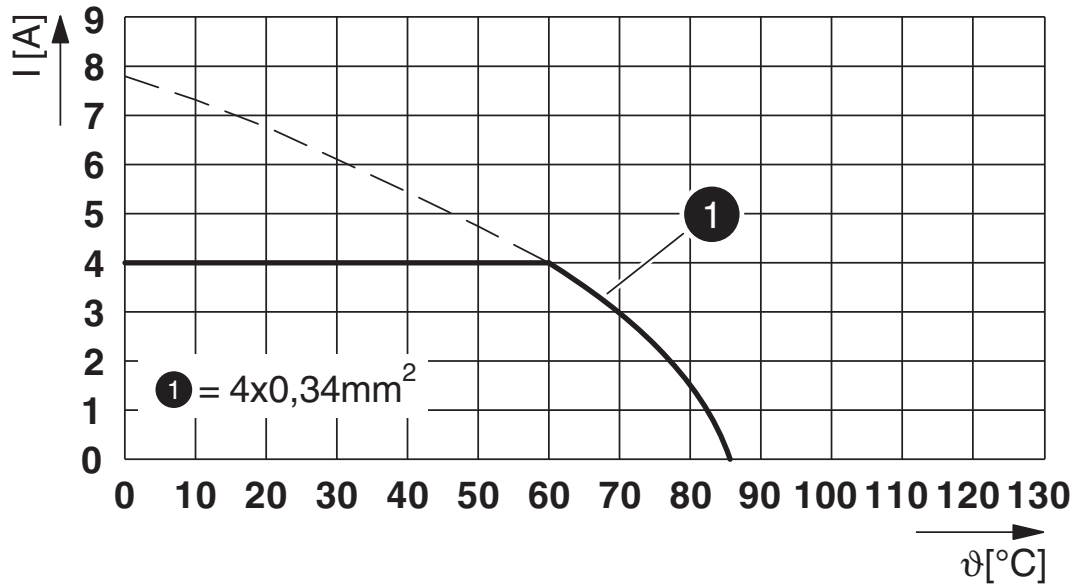
# Device connector, rear mounting - SACCBP-M12FS-4CON-M16/5,0-990



1559848

<https://www.phoenixcontact.com/pc/products/1559848>

Diagram



$I$  = current strength,  $T$  = ambient temperature

# Device connector, rear mounting - SACCBP-M12FS-4CON-M16/5,0-990



1559848

<https://www.phoenixcontact.com/pc/products/1559848>

## Approvals



**EAC**

Approval ID: B.01687



**cUL Recognized**

Approval ID: E221474-20220908

	Nominal Voltage $U_N$	Nominal Current $I_N$	Cross Section AWG	Cross Section $\text{mm}^2$
	250 V	1.5 A	-	-



**UL Recognized**

Approval ID: E221474-20220908

	Nominal Voltage $U_N$	Nominal Current $I_N$	Cross Section AWG	Cross Section $\text{mm}^2$
	250 V	4 A	-	-

**cULus Recognized**

# Device connector, rear mounting - SACCBP-M12FS-4CON-M16/5,0-990



1559848

<https://www.phoenixcontact.com/pc/products/1559848>

## Classifications

### ECLASS

ECLASS-9.0	27440102
ECLASS-10.0.1	27440102
ECLASS-11.0	27440103

### ETIM

ETIM 8.0	EC003570
----------	----------

### UNSPSC

UNSPSC 21.0	39121400
-------------	----------

# Device connector, rear mounting - SACCBP-M12FS-4CON-M16/5,0-990



1559848

<https://www.phoenixcontact.com/pc/products/1559848>

## Environmental Product Compliance

REACH SVHC	Lead 7439-92-1
China RoHS	Environmentally Friendly Use Period = 50 years For information on hazardous substances, refer to the manufacturer's declaration available under "Downloads"

# Device connector, rear mounting - SACCBP-M12FS-4CON-M16/5,0-990

1559848

<https://www.phoenixcontact.com/pc/products/1559848>

## Accessories

### Screw plug

Screw plug - SACC-M16-SEALING PLUG SET - 1453368

<https://www.phoenixcontact.com/pc/products/1453368>



Screw plug, Rear mounting, M16 x 1.5 item no.: 1239800

---

### Screw plug

Screw plug - PROT-M12 - 1680539

<https://www.phoenixcontact.com/pc/products/1680539>



An M12 screw plug for the unoccupied M12 sockets of the sensor/actuator cable, boxes and flush-type connectors

# Device connector, rear mounting - SACCBP-M12FS-4CON-M16/5,0-990

1559848

<https://www.phoenixcontact.com/pc/products/1559848>

## Screw plug

Screw plug - PROT-M12 SH - 1503302

<https://www.phoenixcontact.com/pc/products/1503302>



An M12 screw plug for the unoccupied M12 sockets of the shielded sensor/actuator cable, boxes and flush-type connectors

---

## Screw plug

Screw plug - PROT-M12 FB - 1555538

<https://www.phoenixcontact.com/pc/products/1555538>



M12 high-grade steel screw plug, for unoccupied M12 sockets of the sensor/actuator cables, boxes and flush-type connectors for the food industry

# Device connector, rear mounting - SACCBP-M12FS-4CON-M16/5,0-990



1559848

<https://www.phoenixcontact.com/pc/products/1559848>

## Flat gasket

Flat gasket - SACC-M16-SEAL CLM - 1430394

<https://www.phoenixcontact.com/pc/products/1430394>

M16 flat gasket for M12 flush-type connectors with M16 fastening thread



---

Phoenix Contact 2023 © - all rights reserved  
<https://www.phoenixcontact.com>

PHOENIX CONTACT GmbH & Co. KG  
Flachmarktstraße 8  
D-32825 Blomberg  
+49 (0) 5235-3 00  
[info@phoenixcontact.com](mailto:info@phoenixcontact.com)