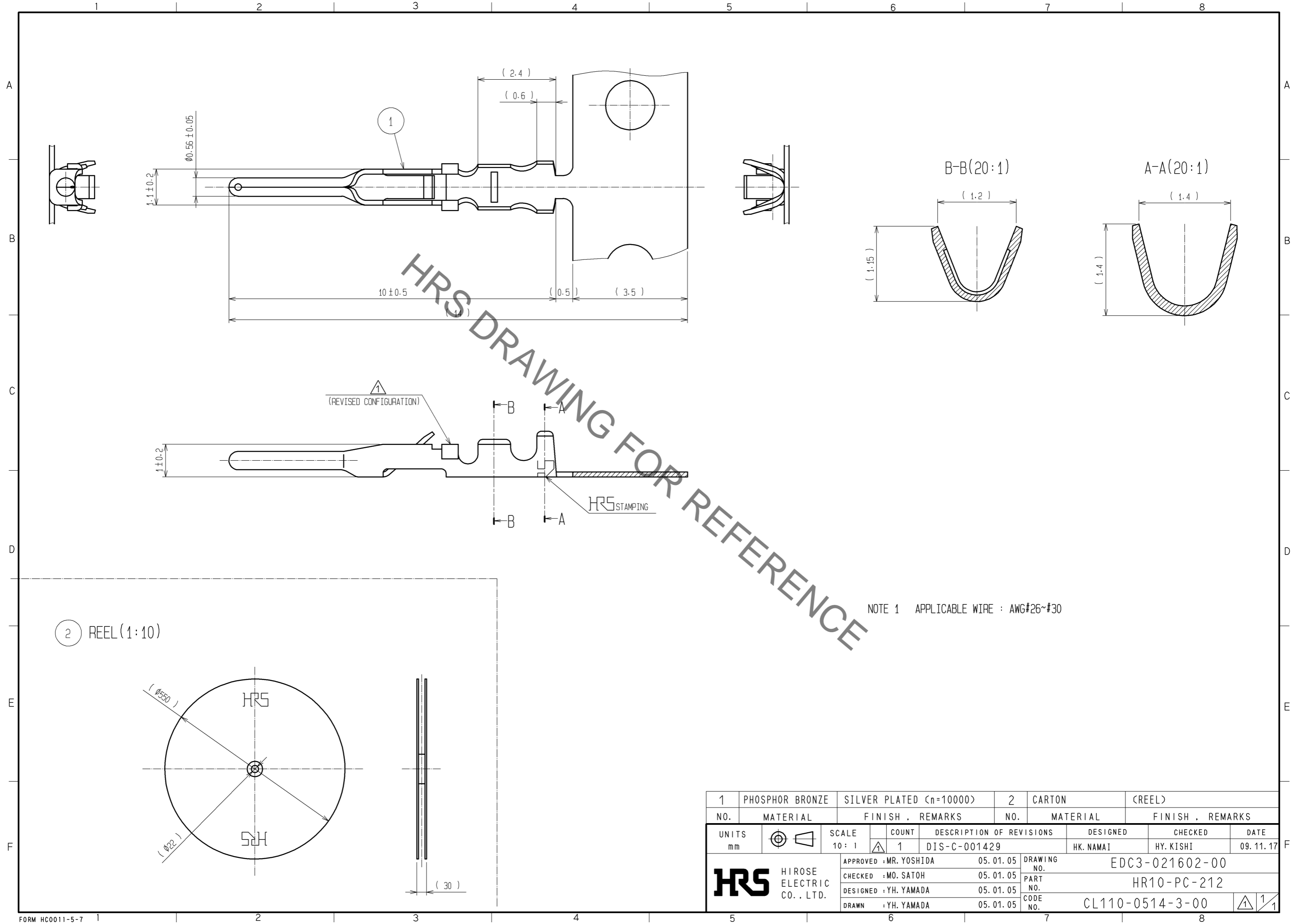


Oct.1.2019 Copyright 2019 HIROSE ELECTRIC CO., LTD. All Rights Reserved.
 In case of consideration for using Automotive equipment / device which demand high reliability, kindly contact our sales window correspondents.



NOTE 1 APPLICABLE WIRE : AWG#26~#30

1	PHOSPHOR BRONZE	SILVER PLATED (n=10000)	2	CARTON	(REEL)
NO.	MATERIAL	FINISH . REMARKS	NO.	MATERIAL	FINISH . REMARKS
UNITS mm		SCALE 10 : 1	COUNT 1	DESCRIPTION OF REVISIONS DIS-C-001429	DESIGNED HK. NAMAI
HRS	HIROSE ELECTRIC CO., LTD.	APPROVED : MR. YOSHIDA	05. 01. 05	DESIGNED EDC3-021602-00	CHECKED HY. KISHI
		CHECKED : MO. SATOH	05. 01. 05	PART NO. HR10-PC-212	DATE 09. 11. 17
		DESIGNED : YH. YAMADA	05. 01. 05	CODE NO. CL110-0514-3-00	
		DRAWN : YH. YAMADA	05. 01. 05		