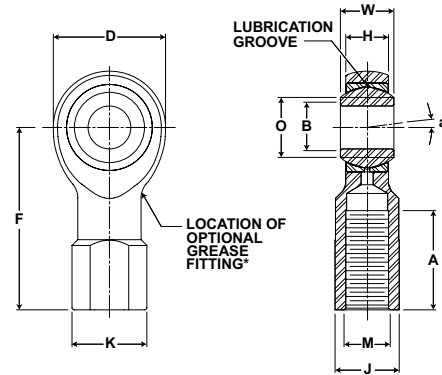


SEALMASTER® Rod End Bearings



- Basic Construction Type:** Female 3 pc. General Purpose, Precision
- Outer Member Material:** Carbon Steel with Protective Plating for Corrosion Resistance
- Race Material:** Carbon Steel with Protective Plating for Corrosion Resistance
- Ball Material:** Alloy Steel, Heat Treated, Chrome Plated



TR, TR-N Series Female Rod Ends

Part No.	Dimensions inch / mm											Max Static Radial Load lb/N	Misalignment Angle a Deg. +/-	Unit Wt. lb/kg
	B	W	H	D	F	A	M	K	J	Ball Diam.	O			
	+0.0015 -0.0005	+0.000 -0.005	+0.005 -0.005	+0.010 -0.010	+0.015 -0.015	Min.	Class UNF-2B	Ref.	+0.010 -0.010	Ref.	Ref.			
TR-3	.1900 4.826	.312 7.92	.250 6.35	.625 15.88	1.062 26.97	.531 13.49	#10-32	.375 9.53	.312 7.92	.437 11.10	.306 7.77	1850 8229	6 1/2	.030 .014
TR-4	.2500 6.350	.375 9.53	.281 7.14	.750 19.05	1.312 33.32	.719 18.26	1/4-28	.469 11.91	.375 9.53	.500 12.70	.331 8.41	2700 12010	8	.060 .027
TR-5	.3125 7.938	.437 11.10	.344 8.74	.875 22.23	1.375 34.93	.719 18.26	5/16-24	.531 13.49	.437 11.10	.625 15.88	.447 11.35	3350 14902	7	.080 .036
TR-6	.3750 9.525	.500 12.70	.406 10.31	1.000 25.40	1.625 41.28	.906 23.01	3/8-24	.688 17.48	.562 14.27	.718 18.24	.517 13.13	4450 19795	6	.140 .064
TR-7	.4375 11.113	.562 14.27	.437 11.10	1.125 28.58	1.812 46.02	1.031 26.19	7/16-20	.750 19.05	.625 15.88	.812 20.62	.586 14.88	5350 23798	7	.180 .082
TR-8	.5000 12.700	.625 15.88	.500 12.70	1.312 33.32	2.125 53.98	1.156 29.36	1/2-20	.875 22.23	.750 19.05	.937 23.80	.698 17.73	7400 32917	6	.290 .132
TR-10	.6250 15.875	.750 19.05	.562 14.27	1.500 38.10	2.500 63.50	1.469 37.31	5/8-18	1.000 25.40	.875 22.23	1.125 28.58	.839 21.31	8050 35808	8	.430 .195
TR-12	.7500 19.050	.875 22.23	.687 17.45	1.750 44.45	2.875 73.03	1.719 43.66	3/4-16	1.125 28.58	1.000 25.40	1.312 33.32	.978 24.84	11300 50265	7	.640 .290
** TR-16	1.0000 25.400	1.375 34.93	1.000 25.40	2.750 69.85	4.125 104.78	2.094 53.19	1 1/4-12	1.688 42.88	1.500 38.10	1.875 47.63	1.269 32.23	21000 93413	8 1/2	2.250 1.021

- NOTES
- Rod ends with Zerk type grease fittings can be obtained by ordering the TR-N series; Example: TR-8N.
 - Grease fittings are available on sizes 4 through 16 only.
 - Load ratings apply to the TR series only. For TR-N load ratings contact Application Engineering.
 - To order left hand threaded units add letter "L" to part number prefix; Example: TRL-8.
 - Add letter "Y" to the part number suffix to indicate stud. Example: TR-8Y.
 - For design modifications, see page J-13.
 - **7. Tolerances for "D" dimensions is +.030, -.010. For "H" dimensions is +.030, -.010.

Metric dimensions for reference only.
 Not all parts are available from stock. Please contact customer service for availability (800) 626-2120.
 For more information on bearing capabilities outside of our standard offering, please contact Application Engineering (800) 626-2093.