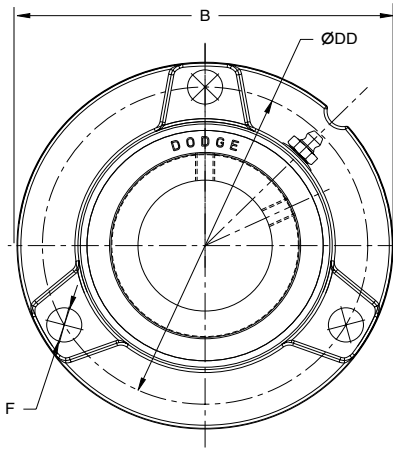
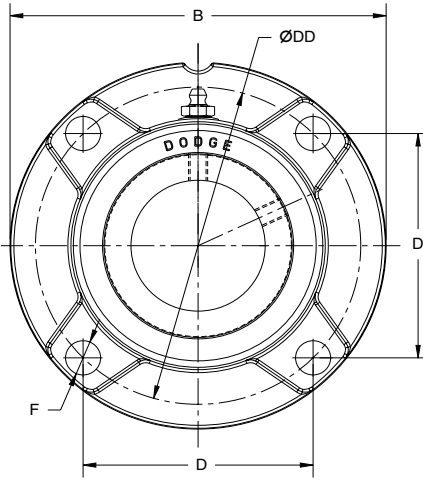


DIMENSIONS

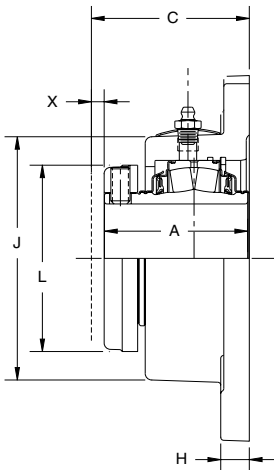
S-2000 Flange Bearing - Round



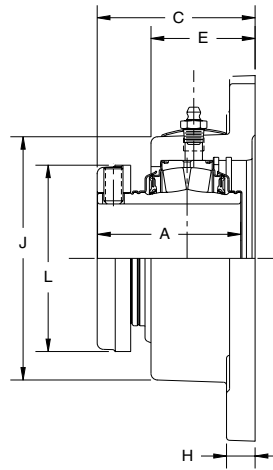
1-1/8" THRU 1-1/2"
CONSTRUCTION



1-5/8" - 2-1/4"
CONSTRUCTION



EXPANSION



NON-EXPANSION

| | | | |
|------------------------------------|-------------------------------|-------------------------------|----------------------------|
| S-2000 FEATURES/BENEFITS PAGE 2 | S-2000 HOW TO ORDER PAGE 5 | S-2000 NOMENCLATURE PAGE 6 | S-2000 SELECTION PAGE 7 |
|------------------------------------|-------------------------------|-------------------------------|----------------------------|



DIMENSIONS

S-2000 Flange Bearing - Round

| Bearing | Shaft Size Inch | TRIDENT Seal | | | | Labyrinth Seal | | | |
|---------|--------------------|---------------|-------------|-----------|--------------|----------------|-------------|-----------|--------------|
| | | Non-Expansion | | Expansion | | Non-Expansion | | Expansion | |
| | | Part No. | Part Name | Part No. | Part Name | Part No. | Part Name | Part No. | Part Name |
| 22208 | 1 - 3/8 | 070436 | F3R-S2-106R | 070470 | F3R-S2-106RE | 070491 | F3R-S2-106L | 070523 | F3R-S2-106LE |
| | 1 - 7/16 | 070437 | F3R-S2-107R | 070471 | F3R-S2-107RE | 070492 | F3R-S2-107L | 070524 | F3R-S2-107LE |
| | 1 - 1/2 | 070438 | F3R-S2-108R | 070472 | F3R-S2-108RE | 070493 | F3R-S2-108L | 070525 | F3R-S2-108LE |
| 22209 | 1 - 11/16 | 070440 | F4R-S2-111R | 070474 | F4R-S2-111RE | 070495 | F4R-S2-111L | 070527 | F4R-S2-111LE |
| | 1 - 3/4 | 070441 | F4R-S2-112R | 070475 | F4R-S2-112RE | 070496 | F4R-S2-112L | 070528 | F4R-S2-112LE |
| 22210 | 1 - 15/16 | 070442 | F4R-S2-115R | 070476 | F4R-S2-115RE | 070497 | F4R-S2-115L | 070529 | F4R-S2-115LE |
| | 2 | 070443 | F4R-S2-200R | 070477 | F4R-S2-200RE | 070498 | F4R-S2-200L | 070530 | F4R-S2-200LE |
| 22211 | 2 - 3/16 | 070444 | F4R-S2-203R | 070478 | F4R-S2-203RE | 070499 | F4R-S2-203L | 070531 | F4R-S2-203LE |
| 22213 | 2-7/16 | 070446 | F4R-S2-207R | 070480 | F4R-S2-207RE | 070501 | F4R-S2-207L | 070533 | F4R-S2-207LE |
| 22215 | 2-11/16 | 070448 | F4R-S2-211R | 070482 | F4R-S2-211RE | 070503 | F4R-S2-211L | 070535 | F4R-S2-211LE |
| | 2-15/16 | 070449 | F4R-S2-215R | 070483 | F4R-S2-215RE | 070504 | F4R-S2-215L | 070536 | F4R-S2-215LE |
| | 3 | 070450 | F4R-S2-300R | 070484 | F4R-S2-300RE | 070505 | F4R-S2-300L | 070537 | F4R-S2-300LE |

| SHAFT SIZE | A | B | C | D | DD | E | F BOLT DIA. | H | J | L | X TOTAL EXP. |
|--------------------------------|-----------|-----------|-----------|-----------|---------|-----------|-------------|-------|-----------|----------|--------------|
| 1 - 3/8 1 - 7/16 1 - 1/2 | 2 - 17/32 | 5 - 7/8 | 2 - 49/64 | 3 - 17/32 | 5 | 1 - 51/64 | 1/2 | 1/2 | 3 - 27/32 | 2 - 3/4 | 3/16 |
| 1 - 11/16 1 - 3/4 | 2-43/64 | 6-3/8 | 2-31/32 | 3-57/64 | 5-1/2 | 1-57/64 | 1/2 | 1/2 | 4-11/32 | 3-3/16 | 1/4 |
| 1 - 15/16 2 | 2 - 27/32 | 6 - 11/16 | 3 - 9/64 | 4 - 1/16 | 5 - 3/4 | 1 - 59/64 | 1/2 | 9/16 | 4 - 19/32 | 3 - 7/16 | 1/4 |
| 2 - 3/16 | 2 - 15/16 | 7 - 3/8 | 3 - 15/64 | 4 - 1/2 | 6 - 3/8 | 2 - 3/64 | 5/8 | 9/16 | 4 - 63/64 | 3 - 3/4 | 1/4 |
| 2-7/16 | 3-13/64 | 7-3/4 | 3-1/2 | 4-49/64 | 6-3/4 | 2-3/8 | 5/8 | 49/64 | 5-1/2 | 4-1/16 | 1/4 |
| 2-11/16 2-15/16 3 | 3-19/32 | 9-1/4 | 3-57/64 | 5-9/16 | 7-7/8 | 2-25/64 | 3/4 | 7/8 | 6-23/64 | 4-45/64 | 1/4 |

NOTE: All sizes use a 1/8-27 NPT hydraulic grease fitting

| | | | |
|------------------------------------|-------------------------------|-------------------------------|----------------------------|
| S-2000 FEATURES/BENEFITS PAGE 2 | S-2000 HOW TO ORDER PAGE 5 | S-2000 NOMENCLATURE PAGE 6 | S-2000 SELECTION PAGE 7 |
|------------------------------------|-------------------------------|-------------------------------|----------------------------|