

Rod End Bearings **SEALMASTER**®

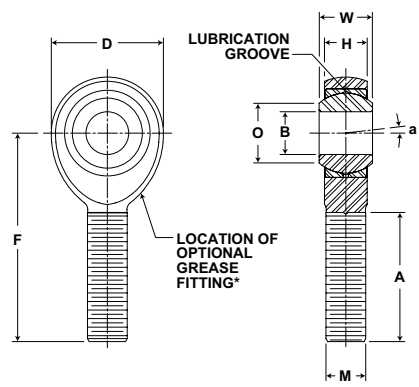


Basic Construction Type: Male 3 pc. Extra Capacity, Precision

Outer Member Material: Alloy Steel, Heat Treated Protective Plating for Corrosion Resistance

Race Material: Carbon Steel with Protective Plating for Corrosion Resistance

Ball Material: Alloy Steel, Heat Treated, Chrome Plated



ARE, ARE-N Series Male Rod Ends

Part No.	Dimensions inch / mm									Max Static Radial Load lb/N	Misalignment Angle a Deg. +/-	Unit Wt. lb/kg
	B	W	H	D	F	A	M	Ball Diam.	O			
	+0.0015 -0.0005	+0.000 -0.005	+0.005 -0.005	+0.010 -0.010	+0.010 -0.010	Min.	Class UNF-3A	Ref.	Ref.			
ARE-3	.1900 4.826	.312 7.92	.250 6.35	.625 15.88	1.250 31.75	.719 18.26	#10-32	.437 11.10	.306 7.77	2850 12677	6 1/2	.030 .014
ARE-4	.2500 6.350	.375 9.53	.281 7.14	.750 19.05	1.562 39.67	.969 24.61	1/4-28	.500 12.70	.331 8.41	4480 19928	8	.050 .023
ARE-5	.3125 7.938	.437 11.10	.344 8.74	.875 22.23	1.875 47.63	1.219 30.96	5/16-24	.625 15.88	.447 11.35	7280 32383	7	.080 .036
ARE-6	.3750 9.525	.500 12.70	.406 10.31	1.000 25.40	1.938 49.23	1.219 30.96	3/8-24	.718 18.24	.517 13.13	9580 42614	6	.120 .054
ARE-7	.4375 11.113	.562 14.27	.437 11.10	1.125 28.58	2.125 53.98	1.344 34.14	7/16-20	.812 20.62	.586 14.88	11000 48930	7	.170 .077
ARE-8	.5000 12.700	.625 15.88	.500 12.70	1.312 33.32	2.438 61.93	1.469 37.31	1/2-20	.937 23.80	.698 17.73	13500 60051	6	.260 .118
ARE-10	.6250 15.875	.750 19.05	.562 14.27	1.500 38.10	2.625 66.68	1.594 40.49	5/8-18	1.125 28.58	.839 21.31	17300 76954	8	.410 .186
ARE-12	.7500 19.050	.875 22.23	.687 17.45	1.750 44.45	2.875 73.03	1.719 43.66	3/4-16	1.312 33.32	.978 24.84	23200 103199	7	.640 .290

- NOTES
1. Rod ends with Zerk type grease fittings can be obtained by ordering the ARE-N series; Example: ARE-8N.
 2. Grease fittings are available on sizes 4 through 12 only.
 - *3. Load ratings apply to the ARE series only. For ARE-N load ratings contact Application Engineering.
 4. To order left hand threaded units add letter "L" to part number prefix; Example: AREL-8.
 5. For design modifications, see page J-13.