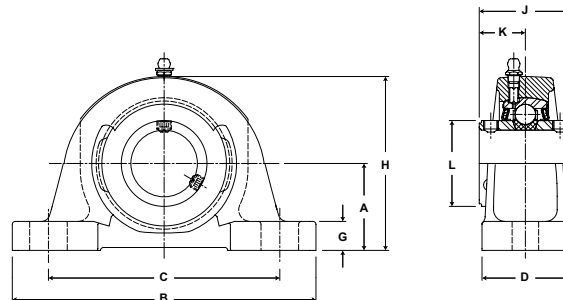


SEALMASTER® Performance Mounted Ball Bearings



Duty:	Standard
Rolling Elements:	Ball
Housing:	Cast Iron Pillow Block – High Base
Self Alignment:	+/- 2 Degrees
Lock:	Double Setscrew
Seal:	Felt
Optional Seal:	Contact
Temperature:	-20° to 220°F



NPD Series Standard Duty Pillow Blocks With Double Lock - Setscrew Locking

Bore Diameter inch	Part No.	Bearing Insert No.	Basic Dynamic Rating lb/N	Dimensions inch / mm										Bolt Size	Unit Wt. lb/kg
				A	B	C		D	G	H	J	K	L		
						min.	max.								
7/8	NPD-14	2-014D	2801	1 7/16	5 1/2	3 7/8	4 3/8	1 1/2	1/2	2 13/16	1 1/2	3/4	1 3/8	3/8	2.4
15/16	NPD-15	2-015D	12459	36.5	139.7	98.4	111.1	38.1	12.7	71.4	38.1	19.1	34.9		1.09
1	NPD-16	2-1D													
1 3/16	NPD-19	2-13D	4381	1 11/16	6 1/2	4 7/16	5 1/16	1 7/8	9/16	3 3/8	1 3/4	7/8	1 19/32	1/2	3.8
			19487	42.9	165.1	112.7	128.6	47.6	14.3	85.7	44.5	22.2	40.5		1.72
1 1/4	NPD-20	2-14D	5782	1 7/8	6 9/16	4 11/16	5 5/16	1 7/8	5/8	3 3/4	2	1	1 55/64	1/2	4.7
1 3/8	NPD-22	2-16D	25718	47.6	166.7	119.1	134.9	47.6	15.9	95.3	50.8	25.4	47.2		2.13
1 7/16	NPD-23	2-17D													
1 1/2	NPD-24	2-18D	7340	1 15/16	7 1/4	4 7/8	5 7/8	2 1/8	11/16	3 15/16	2 5/16	1 5/32	2 1/16	1/2	6.0
1 9/16	NPD-25	2-19D	32648	49.2	184.2	123.8	149.2	54.0	17.5	100.0	58.7	29.4	52.4		2.73
1 11/16	NPD-27	2-111D	7901	2 1/8	7 1/2	5 7/16	6 1/16	2 1/8	11/16	4 1/4	2 3/8	1 3/16	2 19/64	1/2	6.5
1 3/4	NPD-28	2-112D	35144	54.0	190.5	138.1	154.0	54.0	17.5	108.0	60.3	30.2	58.3		2.95
1 7/8	NPD-30	2-114D	7889	2 1/4	8 1/8	6	6 1/2	2 3/8	3/4	4 9/16	2 1/2	1 1/4	2 15/32	5/8	8.3
1 15/16	NPD-31	2-115D	35090	57.2	206.4	152.4	165.1	60.3	19.1	115.9	63.5	31.8	62.7		3.76
2	NPD-32	2-2D	9752	2 1/2	8 5/8	6 1/2	7	2 3/8	3/4	5	2 5/8	1 5/16	2 23/32	5/8	10.0
2 1/8	NPD-34	2-22D	43377	63.5	219.1	165.1	177.8	60.3	19.1	127.0	66.7	33.3	69.1		4.54
2 3/16	NPD-35	2-23D													
2 1/4	NPD-36	2-24D	11789	2 3/4	9 1/2	6 7/8	7 5/8	2 3/4	7/8	5 9/16	3 1/8	1 9/16	2 63/64	5/8	14.0
2 3/8	NPD-38	2-26D	52437	69.9	241.3	174.6	193.7	69.9	22.2	141.3	79.4	39.7	75.8		6.35
2 7/16	NPD-39	2-27D													

For Standard Duty Bearing Inserts-Double Lock see page G-94.

Metric dimensions for reference only.

Not all parts are available from stock. Please contact customer service for availability (800) 626-2120.

For more information on bearing capabilities outside of our standard offering, please contact Application Engineering (800) 626-2093.