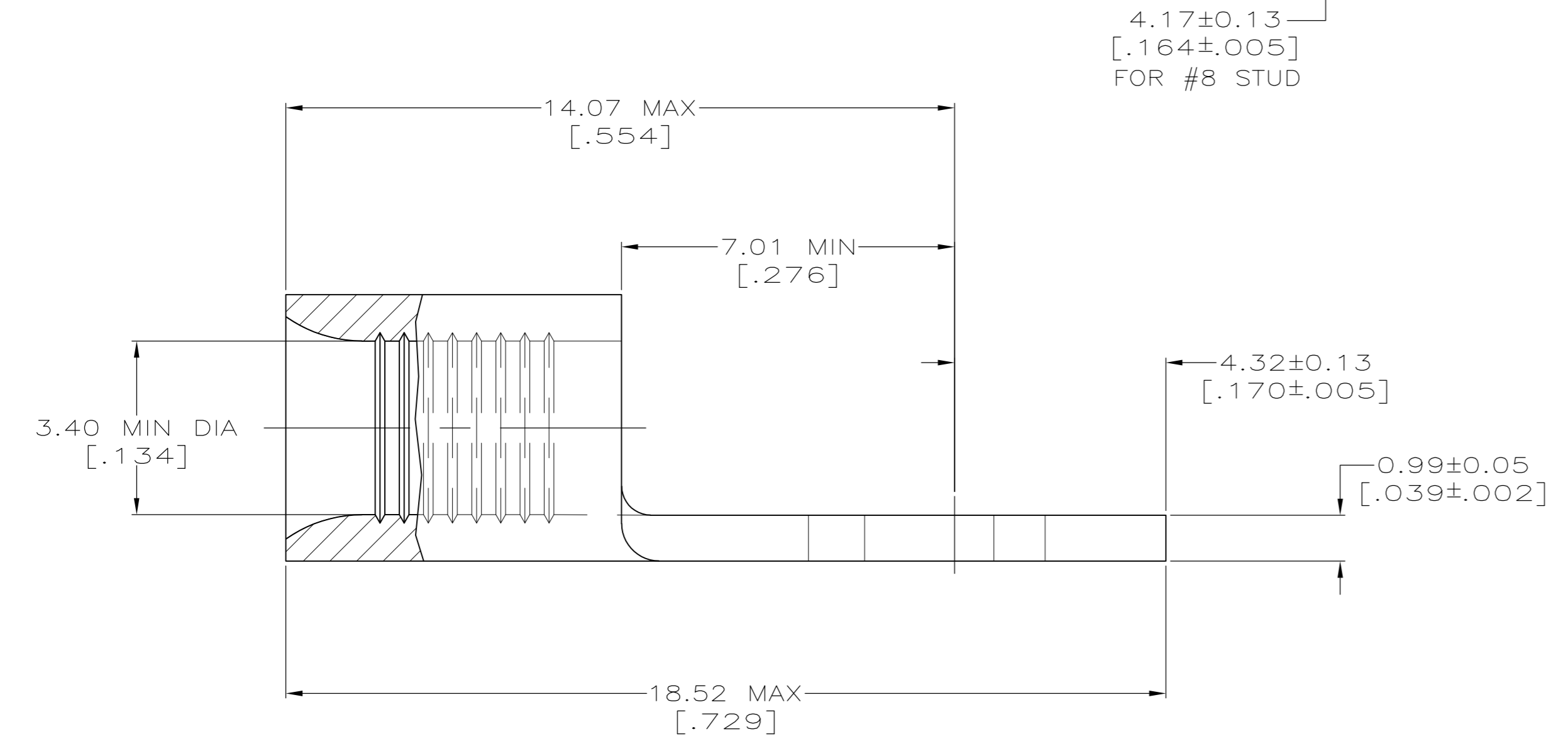
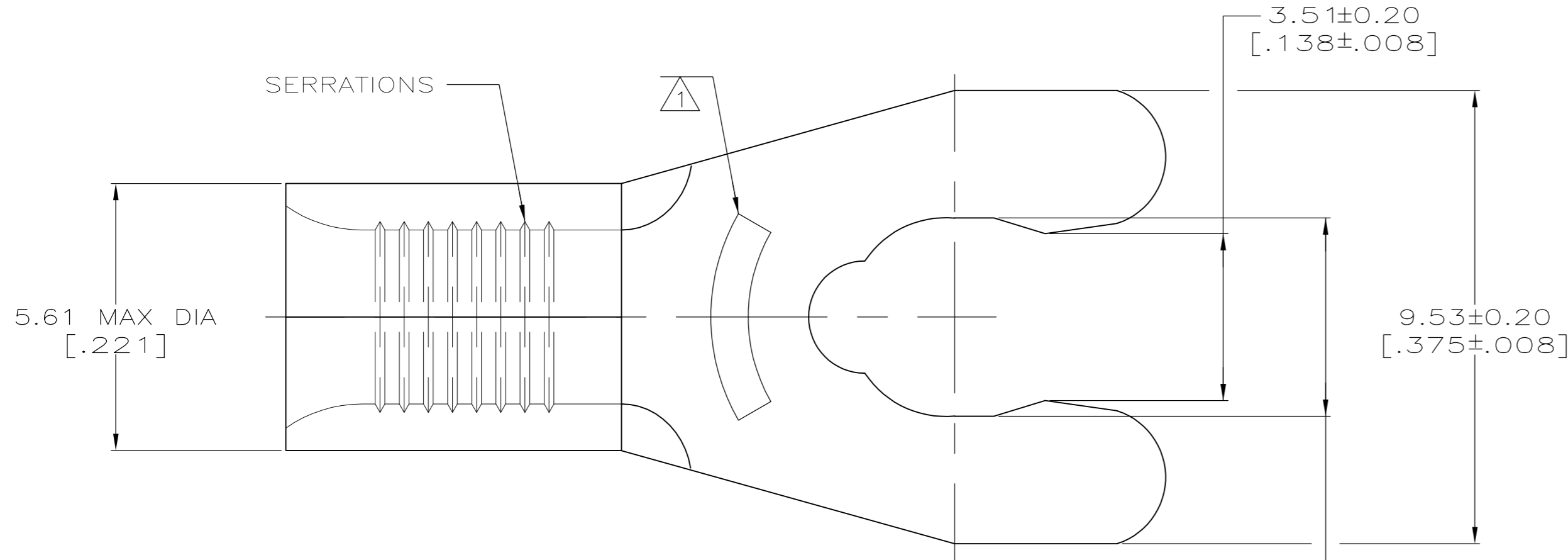


THIS DRAWING IS UNPUBLISHED. RELEASED FOR PUBLICATION
 © COPYRIGHT BY TYCO ELECTRONICS CORPORATION. ALL INTERNATIONAL RIGHTS RESERVED.

LOC	DIST	REVISIONS					
		P	LTR	DESCRIPTION	DATE	DWN	APVD
G	14	A1		REVISED PER ECR 10-006882	05APR10	JR	TM

AMP WIRE RANGE	Listed FILE E13288	LR7189 Certified
12-10 AWG STRANDED	12-10 AWG STRANDED	NOT CERTIFIED



- 1 STAMP 8S AMP 12-10* APPROX AS SHOWN
8S INDICATES STUD SIZE
- 2 PHOS BRONZE PER ASTM B-103, ANNEALED
- 3 TIN PLATE 0.00254 [.000100] MIN
THK PER ASTM B545

53015-1
PART NO.

MAX RECOMMENDED OPERATING TEMPERATURE: 170°C MAX	THIS DRAWING IS A CONTROLLED DOCUMENT.		DWN TA BRINKMAN 2-12-93	Tyco Electronics Corporation Harrisburg, PA 17105-3608
	VOLTAGE RATING: N/A	DIMENSIONS: MM [INCHES]	CHK DA PATTERSON 2-12-93	
CIRCULAR MIL AREA: 2.62-6.64mm² [5,180-13,100] STRANDED		TOLERANCES UNLESS OTHERWISE SPECIFIED:	APVD 2-12-93	PRODUCT SPEC
		MATERIAL - 2	FINISH - 3	APPLICATION SPEC
			WEIGHT -	SIZE A2
			CUSTOMER DRAWING	CAGE CODE 00779
				DRAWING NO C=53015
				RESTRICTED TO -
				SCALE 10:1
				SHEET 1 of 1
				REV A1

53015

A

Mouser Electronics

Authorized Distributor

Click to View Pricing, Inventory, Delivery & Lifecycle Information:

[TE Connectivity:](#)

[53015-1](#)