

SACC-V-5CON-PG9/AD-2L 24V - Valve connectors



1527948

<https://www.phoenixcontact.com/us/products/1527948>

Please be informed that the data shown in this PDF document is generated from our online catalog. Please find the complete data in the user documentation. Our general terms of use for downloads are valid.



Valve connectors, Universal, 5-position, Valve connector AD (pressure switch), Screw connection, cable gland Pg9, external cable diameter 6 mm ... 8 mm

Commercial data

Item number	1527948
Packing unit	1 pc
Minimum order quantity	1 pc
Sales key	BF36
Product key	BF2DAA
Catalog page	Page 110 (PC-2009)
GTIN	4017918980979
Weight per piece (including packing)	31.2 g
Weight per piece (excluding packing)	30.2 g
Customs tariff number	85366990
Country of origin	HU

Technical data

Notes

General	NOTE: Observe the permissible bending radii when laying conductors, since the degree of protection may be put in jeopardy if the bending forces are too high. Alleviate mechanical loads upstream of the connector, e.g. by using cable ties.
---------	--

Mounting

Connection method	Screw connection
-------------------	------------------

Product properties

Product type	Valve connectors
Sensor type	Universal
Number of positions	5
No. of cable outlets	1
Shielded	no
Pg screw connection	Pg9

Insulation characteristics

Overvoltage category	II
Degree of pollution	3

Material specifications

Flammability rating according to UL 94	HB
Seal material	NBR
Material housing valve plug	PA 6
Contact material	CuSn
Valve plug contact insert material	PA 6
Contact surface material	Ni

Dimensions

External dimensions

Outside diameter	6 mm ... 8 mm
------------------	---------------

Electrical properties

Contact resistance	≤ 15 mΩ
Insulation resistance	≥ 100 MΩ
Nominal voltage U_N	24 V AC
	24 V DC
Nominal current I_N	4 A
Protective circuit	unwired

Mechanical properties

SACC-V-5CON-PG9/AD-2L 24V - Valve connectors



1527948

<https://www.phoenixcontact.com/us/products/1527948>

Mechanical data

Insertion/withdrawal cycles	50 (Valve connector)
-----------------------------	----------------------

Signaling

Status display	2 LEDs
Status display present	Yes

Connection data

Connection method	Screw connection
Conductor cross section	0.34 mm ² ... 1.5 mm ²
Connection cross section AWG	22 ... 16

Connector

Connection 1

Head design	Valve connector
Head thread type	AD (pressure switch)

Environmental and real-life conditions

Ambient conditions

Degree of protection	IP65
Ambient temperature (operation)	-25 °C ... 85 °C (valve plug)

Standards and regulations

Valve connector

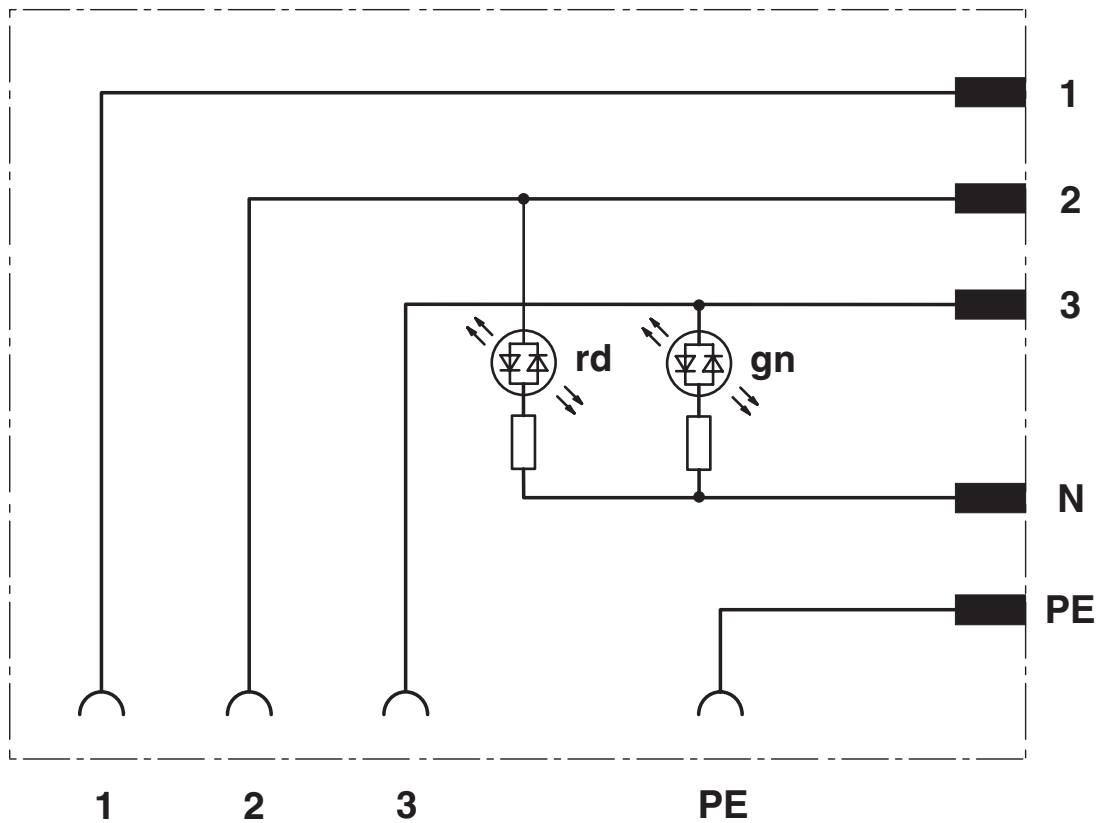
Standard designation	Valve connector
Standards/specifications	EN 175301-803

1527948

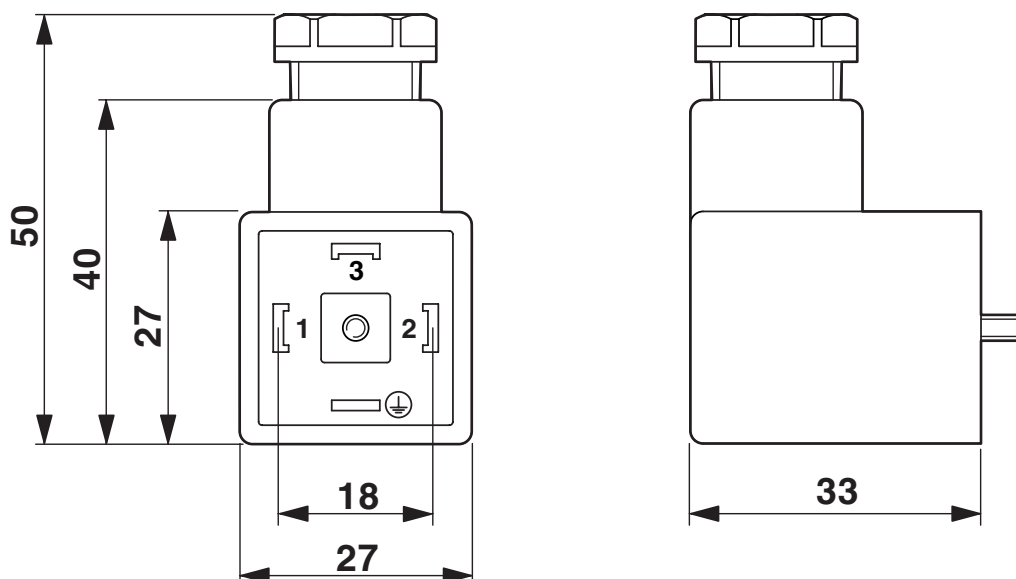
<https://www.phoenixcontact.com/us/products/1527948>

Drawings

Circuit diagram



Dimensional drawing



SACC-V-5CON-PG9/AD-2L 24V - Valve connectors



1527948

<https://www.phoenixcontact.com/us/products/1527948>

Classifications

ECLASS

ECLASS-11.0	27440105
ECLASS-12.0	27440105
ECLASS-13.0	27440105

ETIM

ETIM 9.0	EC003623
----------	----------

UNSPSC

UNSPSC 21.0	31251500
-------------	----------

SACC-V-5CON-PG9/AD-2L 24V - Valve connectors



1527948

<https://www.phoenixcontact.com/us/products/1527948>

Environmental product compliance

REACH SVHC	Lead 7439-92-1
China RoHS	Environmentally Friendly Use Period = 50 years
	For information on hazardous substances, refer to the manufacturer's declaration available under "Downloads"

Phoenix Contact 2023 © - all rights reserved

<https://www.phoenixcontact.com>

Phoenix Contact USA
586 Fulling Mill Road
Middletown, PA 17057, United States
(+717) 944-1300
info@phoenixcon.com