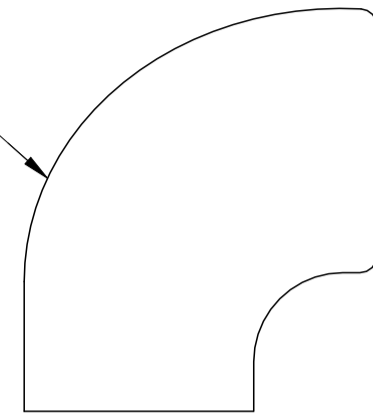
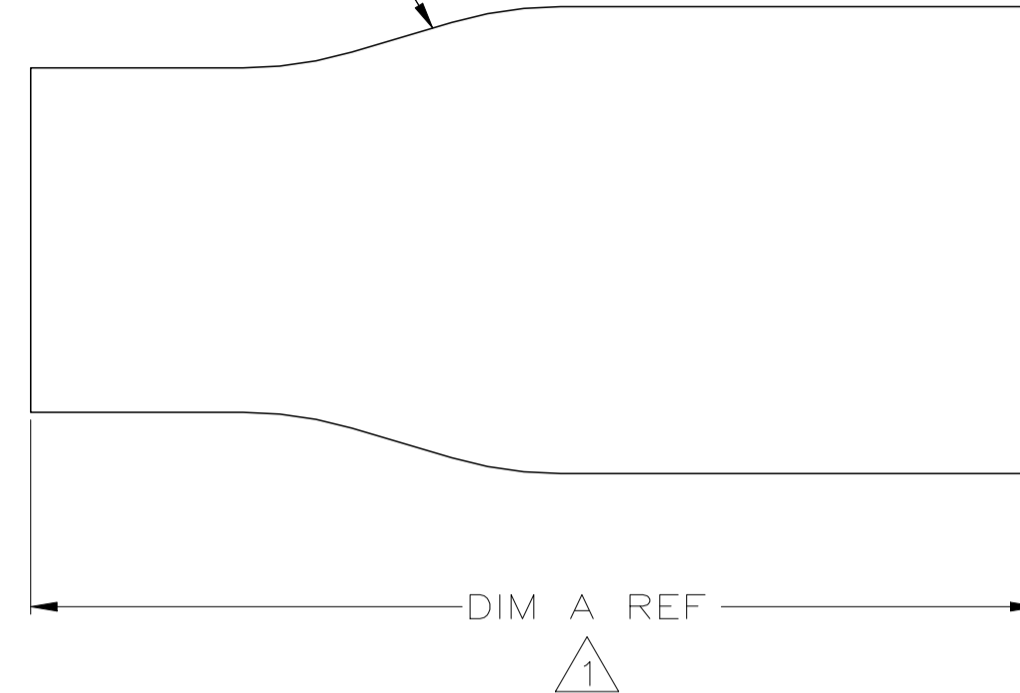


REVISIONS				
P	LTR	DESCRIPTION	DATE	APVD
L		REV PER ECO 21-007489	28JUL2021	LN DM

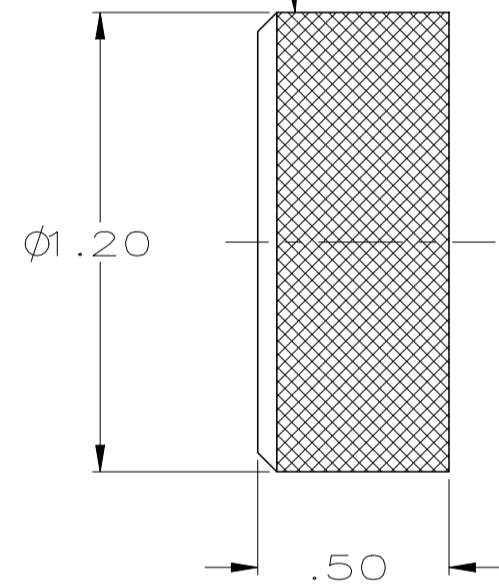
BOOT, SHRINKABLE, 90°
MAT'L: POLYOLEFIN



BOOT, SHRINKABLE, STRAIGHT
MAT'L: ELASTOMER/SILVER COMPOSITE



CAP
MAT'L: BRASS
FINISH: NICKEL
OVER COPPER FLASH

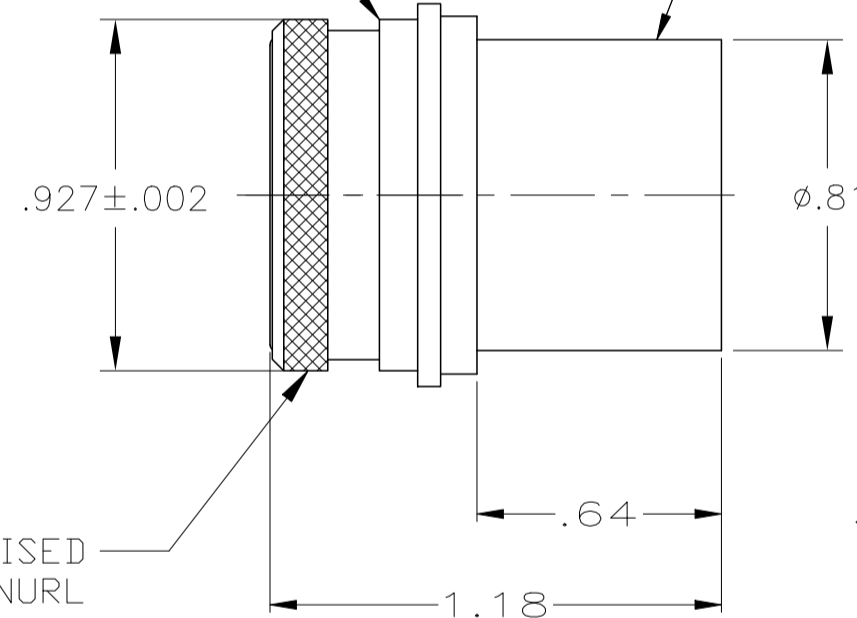


FERRULE
MAT'L: BRASS
FINISH: NICKEL
OVER COPPER FLASH

2 -5 ONLY

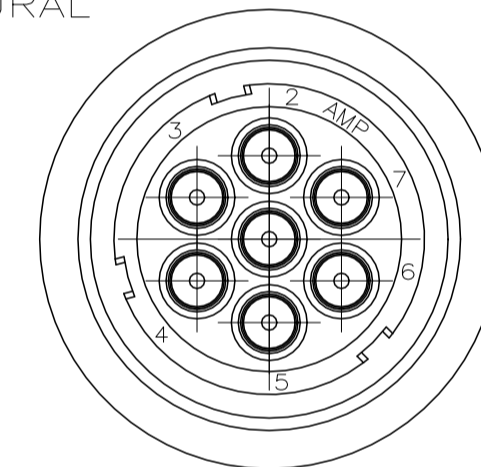
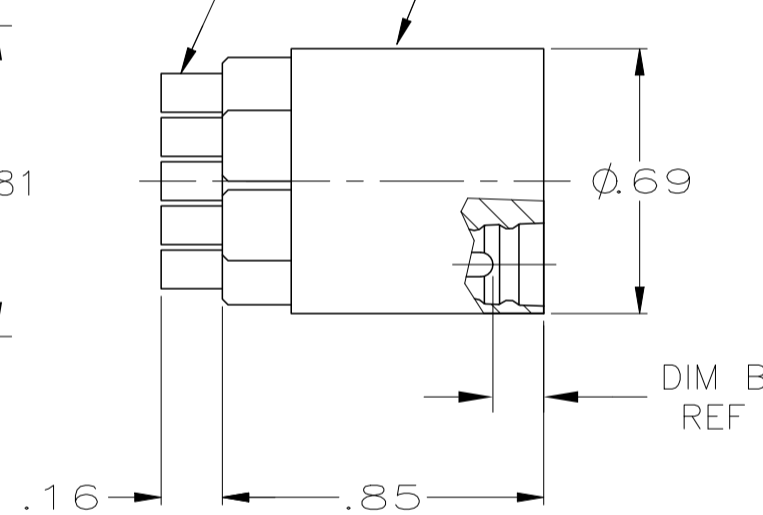
HOUSING
MAT'L: POLYESTER

.128 DP RAISED
DIAMOND KNURL



SOCKET END

SLUG
MAT'L: SEE TABLE
COLOR: NATURAL



- 1 REF. DIMENSION "A" APPLIES ONLY AFTER SHRINKING OF SHRINK BOOT.
- 2 FERRULE IS NOT ATTACHED TO PLUG HOUSING. (-5 ONLY)
- 3 SLUG MATERIAL: SILICONE RUBBER
- 4 SLUG MATERIAL: FLUROELASTOMER COMPOUND

4	.305	-	NO SHRINKABLE BOOT	865656-7
3	.265	-	NO SHRINKABLE BOOT	865656-6
3 2	.305	-	NO SHRINKABLE BOOT	865656-5
3	.305	3.15	STRAIGHT SHRINKABLE BOOT	865656-4
3	.305	-	NO SHRINKABLE BOOT	865656-3
3	.305	-	90° SHRINKABLE BOOT	865656-2
3	.305	2.63	STRAIGHT SHRINKABLE BOOT	865656-1
REMARKS	DIM B REF	DIM A 1	DISCRIPTION	PART NUMBER

THIS DRAWING IS A CONTROLLED DOCUMENT.

DWN C.C.THOMAS 7-15-96	TE Connectivity
CHK S.GLATFELTER 8-13-96	
APVD -	NAME
PRODUCT SPEC -	PLUG KIT, 7 PIN MINIATURE, LGH
APPLICATION SPEC -	SIZE CAGE CODE DRAWING NO RESTRICTED TO
WEIGHT 0.000000	A2 00779 C=865656
CUSTOMER DRAWING	SCALE 2:1 SHEET 1 OF 1 REV L

Mouser Electronics

Authorized Distributor

Click to View Pricing, Inventory, Delivery & Lifecycle Information:

[TE Connectivity:](#)

[865656-1](#)