



Wire Protection & Management > Interconnect Devices > SolderSleeve Shield Terminators



SolderSleeve Shield Terminator Product Type: **Shield Terminator**

Operating Temperature (Max): **125 °C**

Expanded Inside Diameter (Min): **1.91 mm [.075 in]**

Recovered Inside Diameter (Max): **.64 mm [.025 in]**

Pre-Installed Lead: **No**

Features

Product Type Features

Temperature Indicator	Yes
Temperature Indicator Type	Thermochromic
SolderSleeve Shield Terminator Product Type	Shield Terminator

Configuration Features

Pre-Installed Lead	No
--------------------	----

Dimensions

Overall Length	26 mm[1.02 in]
Shield Outside Diameter (Min)	1.1 mm[.043 in]
Jacket Outside Diameter	1.9 mm[.075 in]
Expanded Inside Diameter (Min)	1.91 mm[.075 in]
Recovered Inside Diameter (Max)	.64 mm[.025 in]

Usage Conditions

Operating Temperature (Max)	125 °C
Wire Temperature (Max)	85 °C

Industry Standards

Government Qualified	No
----------------------	----

Product Compliance



[For compliance documentation, visit the product page on TE.com>](#)

EU RoHS Directive 2011/65/EU	Not Compliant
EU ELV Directive 2000/53/EC	Not Compliant
China RoHS 2 Directive MIIT Order No 32, 2016	Restricted Materials Above Threshold
EU REACH Regulation (EC) No. 1907/2006	Current ECHA Candidate List: JAN 2021 (211) Candidate List Declared Against: JAN 2021 (211) SVHC > Threshold: Cd (18% in Solder) Article Safe Usage Statements: Use personal protective equipment as required. Do not eat, drink or smoke when using this product. Recycle if possible and dispose of the article by following all applicable governmental regulations relevant to your geographic location.
Halogen Content	Out of Scope - excluded from Halogen requirements
Solder Process Capability	Not applicable for solder process capability

Product Compliance Disclaimer

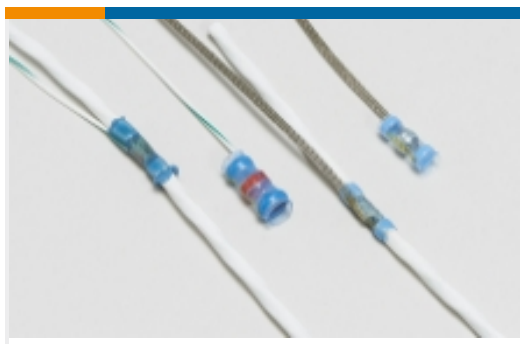
This information is provided based on reasonable inquiry of our suppliers and represents our current actual knowledge based on the information they provided. This information is subject to change. The part numbers that TE has identified as EU RoHS compliant have a maximum concentration of 0.1% by weight in homogenous materials for lead, hexavalent chromium, mercury, PBB, PBDE, DBP, BBP, DEHP, DIBP, and 0.01% for cadmium, or qualify for an exemption to these limits as defined in the Annexes of Directive 2011/65/EU (RoHS2). Finished electrical and electronic equipment products will be CE marked as required by Directive 2011/65/EU. Components may not be CE marked. Additionally, the part numbers that TE has identified as EU ELV compliant have a maximum concentration of 0.1% by weight in homogenous materials for lead, hexavalent chromium, and mercury, and 0.01% for cadmium, or qualify for an exemption to these limits as defined in the Annexes of Directive 2000/53/EC (ELV). Regarding the REACH Regulation, the information TE provides on SVHC in articles for this part number is based on the latest European Chemicals Agency (ECHA) 'Guidance on requirements for substances in articles' posted at this URL: <https://echa.europa.eu/guidance-documents/guidance-on-reach>

Compatible Parts



TE Part # CJ2087-000
HL2010E-KIT-120V

Also in the Series | [Raychem CWT](#)

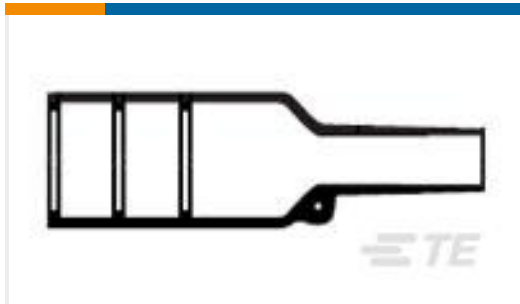


SolderSleeve Shield Terminators(27)



Splices(1)

Customers Also Bought



TE Part #312479-000
202K132-100-0



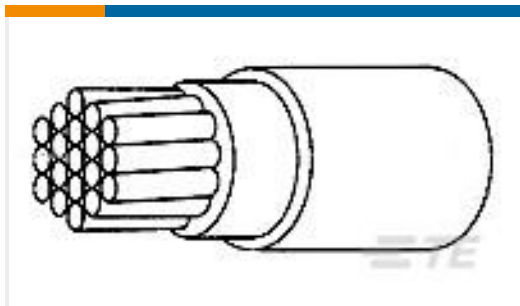
TE Part #2023374003
ZHTM-5/2.5-0-SP



TE Part #042313-000
B-150-23



TE Part #106019-000
CWT-3806



TE Part #1007553001
100G0111-0.25-9



TE Part #054955-000
CWT-9001



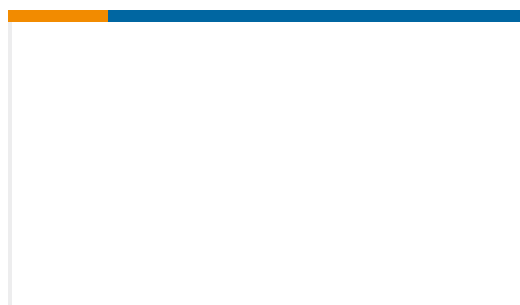
TE Part #114163-000
CWT-9003



TE Part #2832273002
44A0111-20-45



TE Part #1130813001
100G0111-2.50-45



TE Part #NB16702001
RW-175-3/8-X-STK

Documents

Product Drawings

[CWT-3802](#)

English

Datasheets & Catalog Pages

[1654025_Sec8_B-155_CWT_D-110_D-1744](#)

English

Raychem Electrical Interconnect Products

English



Product Specifications

[SolderSleeve One-Step Wire and Cable Terminators Installation Procedures for CWT and B-155 Products](#)

English

Mouser Electronics

Authorized Distributor

Click to View Pricing, Inventory, Delivery & Lifecycle Information:

[TE Connectivity:](#)

[CWT-3802](#)