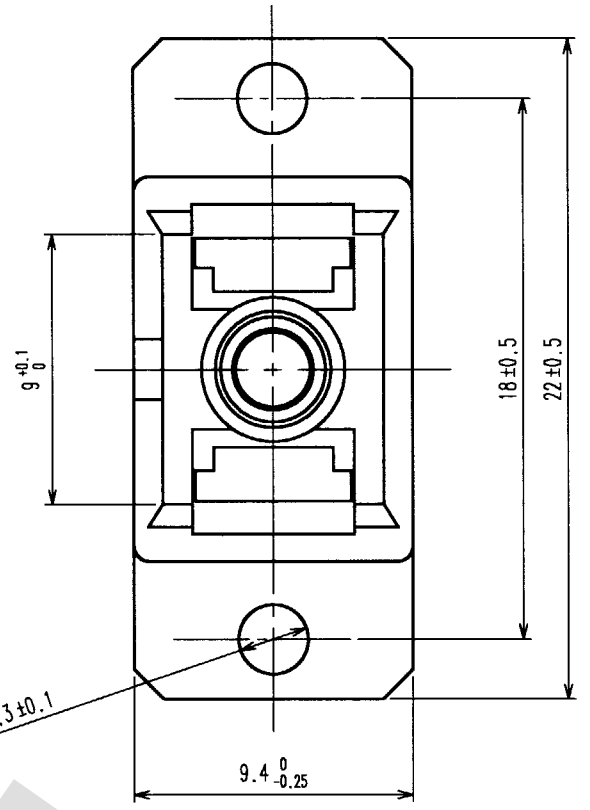
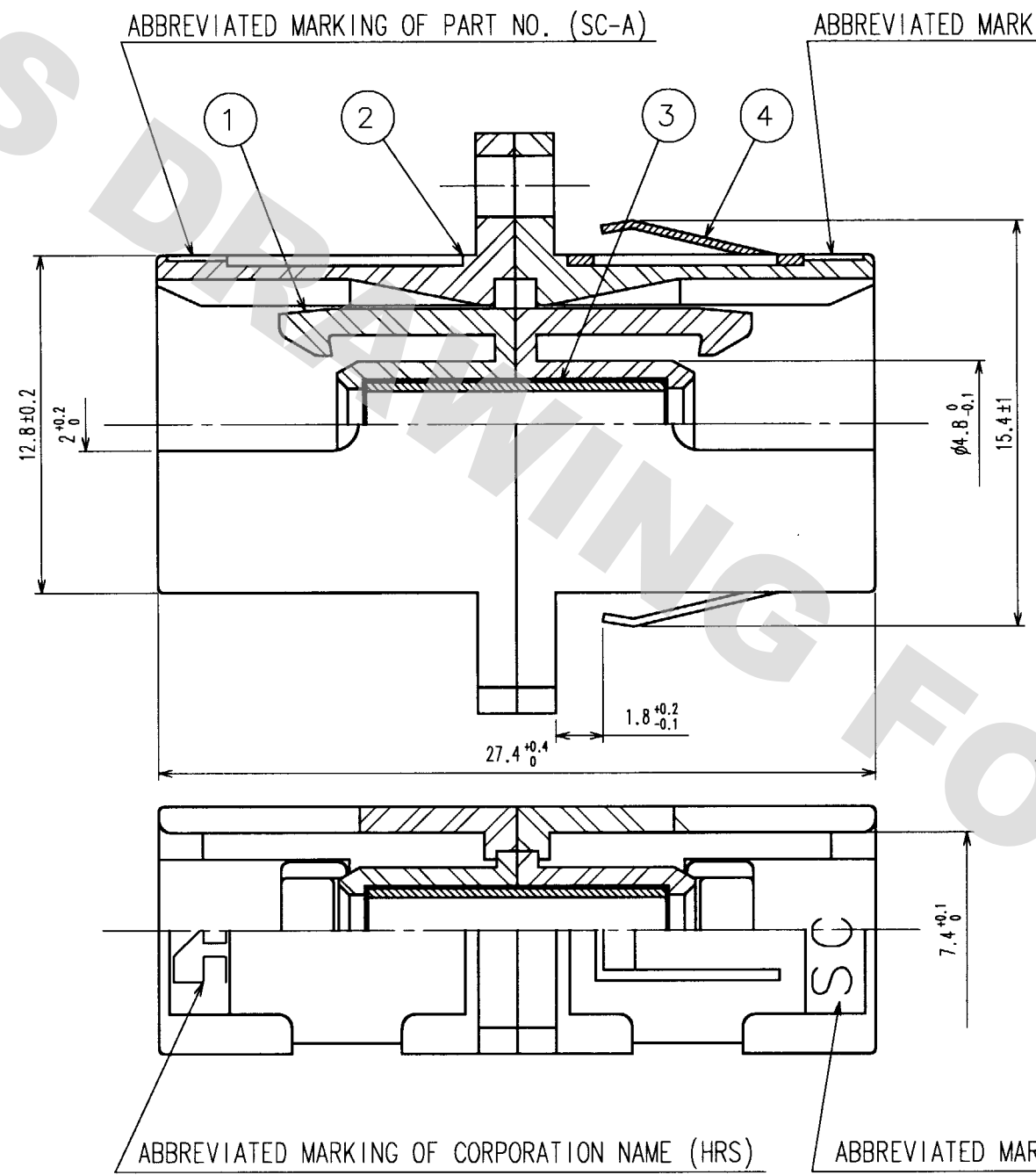
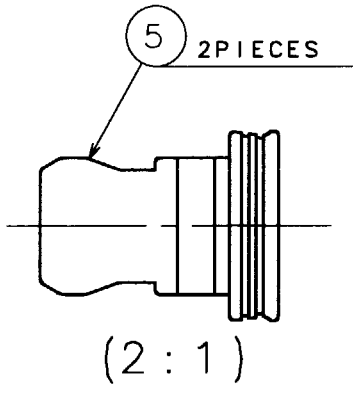


5		6			7			8		
COUNT	DESCRIPTION OF REVISIONS	BY	CHKD	DATE	COUNT	DESCRIPTION OF REVISIONS	BY	CHKD	DATE	



NOTE 1. Delivered with cap installed.



NO.	MATERIAL	FINISH, REMARKS	NO.	MATERIAL	FINISH, REMARKS
3	ZIRCONIA		5	SYNTHETIC RESIN	BLACK
2	SYNTHETIC RESIN	GREEN	4	STAINLESS STEEL	
1	SYNTHETIC RESIN	BLUE			

CODE NO. (OLD)		DRAWN	DESIGNED	CHECKED	APPROVED	RELEASED
		T. Ito	F. Yoshida	S. Arima	H. Naga	
		01.02.05	01.02.05	01.2.8	01.2.8	

SCALE	DRAWING NO.	PART NO.
4 : 1	EDC3-171449-01	HSC-A3-D2(06)
UNITS	mm	CODE NO.
		CL704-3007-9-06

DRAWING FOR REFERENCE: This is subject to change without notice
08/11/2012

TO

Mouser Electronics

Authorized Distributor

Click to View Pricing, Inventory, Delivery & Lifecycle Information:

[Hirose Electric:](#)

[HSC-A3-D2\(06\)](#)