

MODEL: CLS0381M-L152 | **DESCRIPTION:** SPEAKER**FEATURES**

- 38 mm round frame
- 8 Ω impedance
- rated 0.2 W
- neodymium magnet
- PET cone
- wire leads

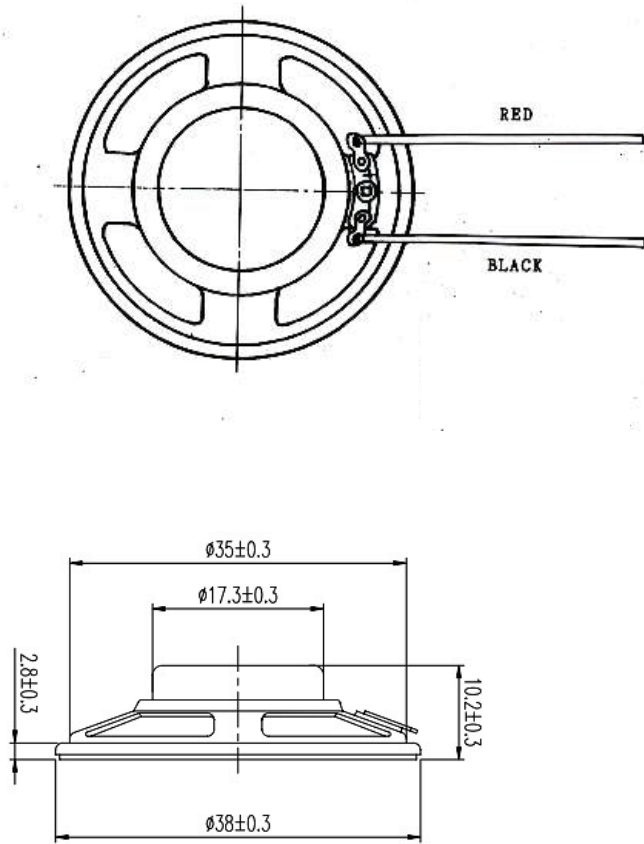
**SPECIFICATIONS**

parameter	conditions/description	min	typ	max	units
input power			0.2	0.4	W
impedance	at 800 Hz, 1.0 V	6.8	8	9.2	Ω
resonant frequency (Fo)		880	1,100	1,320	Hz
frequency response		Fo		10,000	Hz
sound pressure level	at 0.2 W, 30 cm, avg at 1.5, 2.0, 2.5, 3.0 kHz	82	85	88	dB
distortion	at 1.0 kHz, 1.0 W			5	%
buzz, rattle, etc.	must be normal at sine wave, frequency range			1.26	V
dimensions	\varnothing 38 x 10.2				mm
magnet	Nd-Fe-B				
cone material	PET				
weight			11.4		g
terminal	wire leads				
operating temperature		-25		60	$^{\circ}$ C
RoHS	yes				

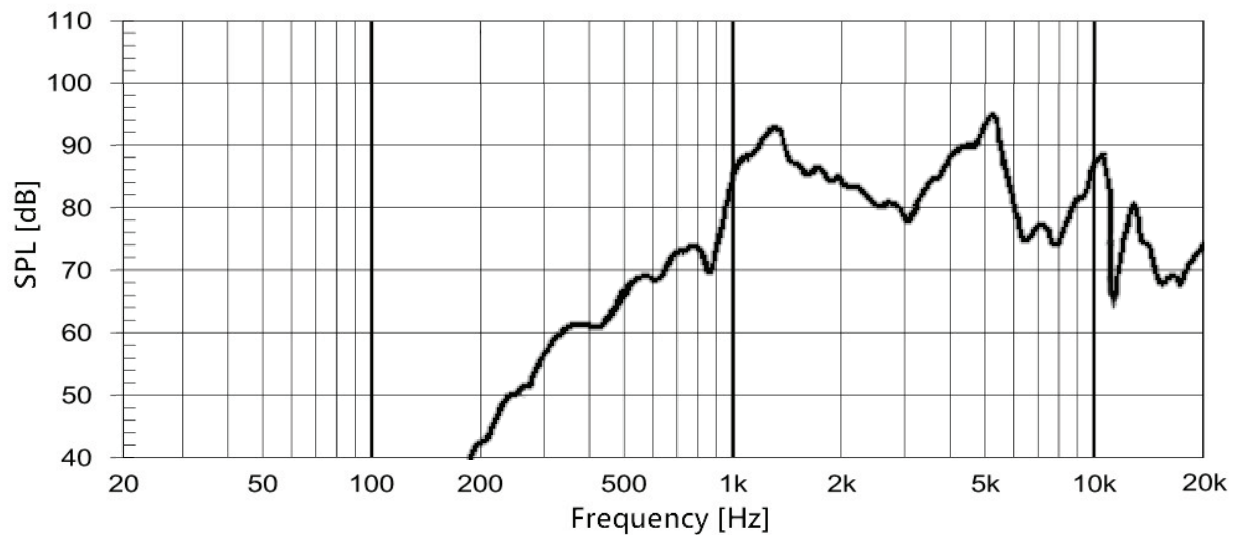
MECHANICAL DRAWING

units: mm

wire: UL1007 28 AWG
length: 152 mm



FREQUENCY RESPONSE CURVES



REVISION HISTORY

rev.	description	date
1.0	initial release	07/03/2007
1.01	brand update	04/15/2021
1.02	logo, datasheet style update	08/05/2022

The revision history provided is for informational purposes only and is believed to be accurate.



CUI Devices offers a one (1) year limited warranty. Complete warranty information is listed on our website.

CUI Devices reserves the right to make changes to the product at any time without notice. Information provided by CUI Devices is believed to be accurate and reliable. However, no responsibility is assumed by CUI Devices for its use, nor for any infringements of patents or other rights of third parties which may result from its use.

CUI Devices products are not authorized or warranted for use as critical components in equipment that requires an extremely high level of reliability. A critical component is any component of a life support device or system whose failure to perform can be reasonably expected to cause the failure of the life support device or system, or to affect its safety or effectiveness.

cuidevices.com

Mouser Electronics

Authorized Distributor

Click to View Pricing, Inventory, Delivery & Lifecycle Information:

[CUI Devices:](#)

[CLS0381M-L152](#)