

5

4

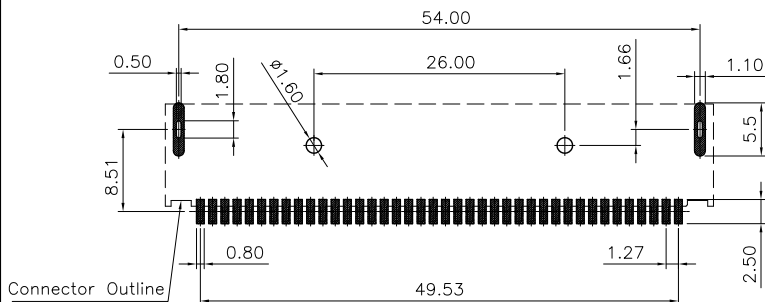
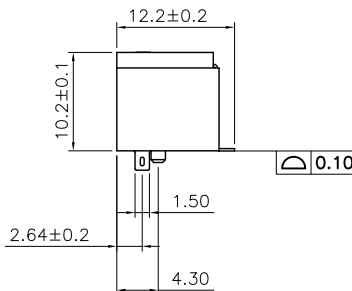
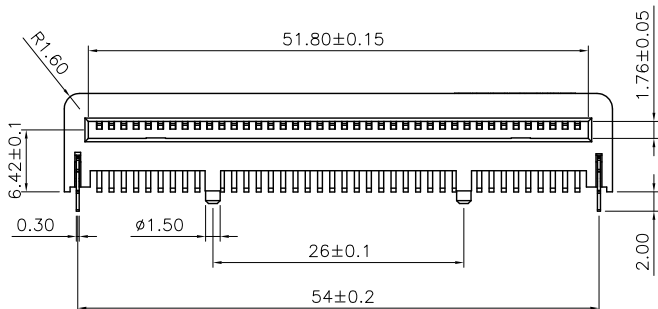
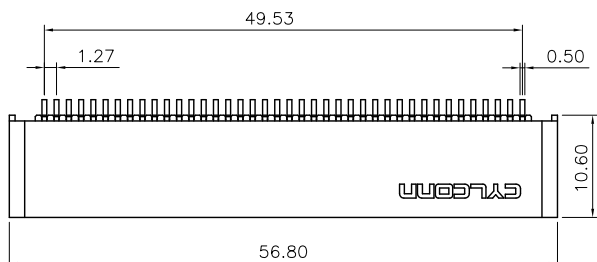
3

2

1



REVISIONS				
LTR	DESCRIPTION	DATE	DWN	APVD
A	RELEASED	17\11\28	AW	WK



TOLERANCE: ±0.05
RECOMMENDED PCB LAYOUT
(TOP VIEW)

■ 表示焊接区域
(SOLDER AREA)

THIS DRAWING IS A CONTROLLED DOCUMENT.

DIMENSIONS: mm	TOLERANCES UNLESS OTHERWISE SPECIFIED:
	0 PLC ± 0.50
	1 PLC ± 0.30
	2 PLC ± 0.20
	3 PLC ± 0.15
	4 PLC ± -
THIRD ANGLE PROJECTION	ANGLES ± 3°

材质说明(Note):

1. 塑胶主体 : Lcp 耐高温树脂, 加玻璃纤维30%.防火等级 UL94V-0 (HOUSING: LCP WITH 30% GF, UL 94V-0, COLOR: See table.)
2. 端子: 磷铜, T=0.25. (CONTACTS: PHOSPHOR BRONZE; 0.25 THICKNESS.)
3. 固定焊片 : 黄铜合金, T=0.30. (Latch :BRASS, 0.3 THICKNESS.)

电镀要求(FINISH):

1. 端子接触区域镀金 3u" min.; 焊接区域镀锡80u" min. 镍底 50u" min. TERMINAL : 3u" GOLD PLATED ON CONTACT AREA, 80u" min. TIN ON SOLDER; UNDERPLATED 50u" MIN. NICKEL.
2. 固定焊片表面镀锡80u" min.; 镍底50u" min. Latch : 80u" min. TIN ON SOLDER; UNDERPLATED 50u" MIN. NICKEL.

安规测试:

1. 产品符合 RoHS.(ALL COMPONENTS ARE RoHS COMPLIANT.)

机械特性(MECHANICAL PROPERTY):

1. micro bit 与连接器插拔力 : 1Kg . UNMATING AND MATING FORCE: 1 Kg.
2. 插拔寿命 : 1500次. UNMATING AND MATING LIFE : 1500 CYCLES .

电气特性(ELECTRIC PROPERTY):

1. 额定电压 : 250V AC. (Voltage: 250 volts AC)
2. 额定电流 : 1AMP .(Current: 1.5 amperes.)
3. 接触阻抗 : 30 mΩ .(Low level contact resistance: 30 mΩ)
4. 绝缘阻抗 : 1000 MΩ, 500V DV.(Insulation resistance:1000 MΩ, 500V DV)
5. 耐电压 : 500V 1Minute .(Dielectric withstanding voltage:500V 1Minute)

MIC127-140-XXX	Micro Bit-connector_40p 90度 SMT Au3u" white(白色)
MIC127-140-001	Micro Bit-connector_40p 90度 SMT Au3u" black(黑色)
成品料号 (Part number)	品名规格 (Part name)
DWN A. WU 2017\11\28	东莞市宇亮电子有限公司 DONG GUAN YU LIANG ELECTRONICS CO., LTD
CHEK S. CHIEN 2017\11\28	
APVD Abel 2017\11\28	NAME Micro Bit-connector_40p 90度 SMT Au LCP
PRODUCT SPEC	SIZE A4
WEIGHT	DRAWING No. C=YL-ED-01391
CUSTOMER DRAWING	SCALE 1 : 1 SHEET 1 of 2

5

4

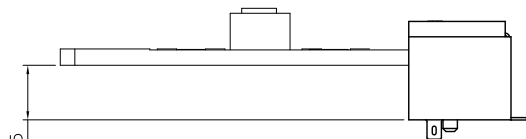
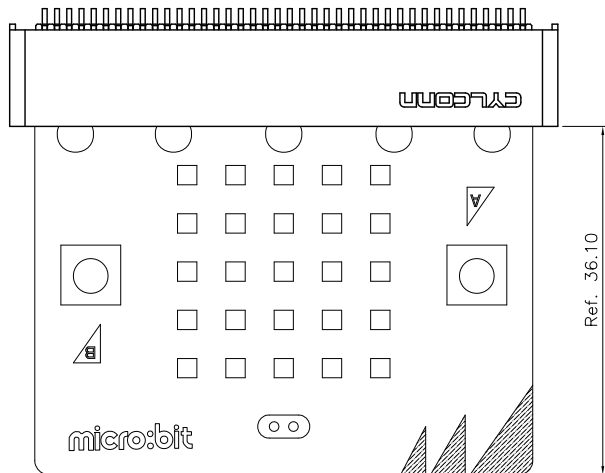
3

2

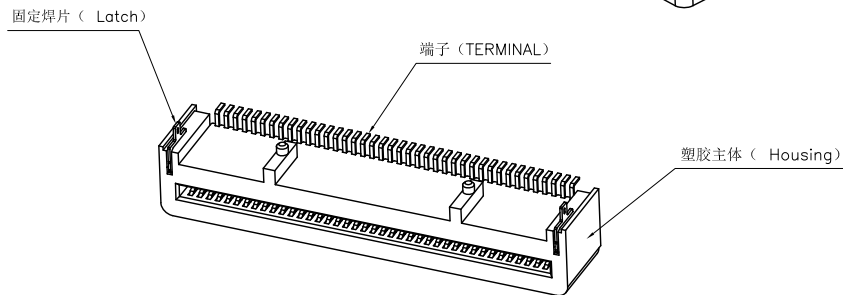
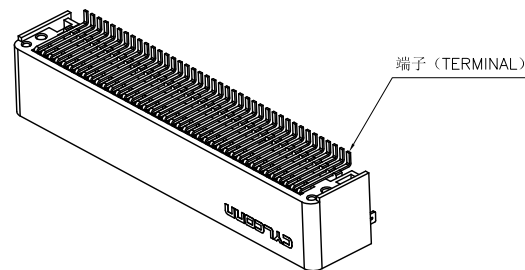
1



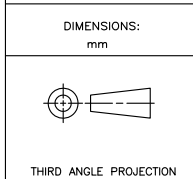
REVISIONS				
LTR	DESCRIPTION	DATE	DWN	APVD
A	RELEASED	17\11\28	AW	WK



Micro: bit 安装示意图
(installation dimension)



THIS DRAWING IS A CONTROLLED DOCUMENT.



DIMENSIONS: mm		TOLERANCES UNLESS OTHERWISE SPECIFIED:	
0 PLC	± 0.50		
1 PLC	± 0.30		
2 PLC	± 0.20		
3 PLC	± 0.15		
4 PLC	±		
ANGLES		± 3°	

MIC127-140-XXX	Micro Bit-connector_40p 90度 SMT Au3u ⁺ white(白色)
MIC127-140-001	Micro Bit-connector_40p 90度 SMT Au3u ⁺ black(黑色)
成品料号 (Part number)	品名规格 (Part name)
DWN A. WU 2017\11\28	东莞市宇亮电子有限公司 DONG GUAN YU LIANG ELECTRONICS CO., LTD
CHEK S. CHIEN 2017\11\28	
APVD Abel 2017\11\28	NAME Micro Bit-connector_40p 90度 SMT Au LCP
PRODUCT SPEC	SIZE A4
WEIGHT	DRAWING No. YL-ED-01391
CUSTOMER DRAWING	SCALE 1 : 1
	SHEET 2 of 2

Mouser Electronics

Authorized Distributor

Click to View Pricing, Inventory, Delivery & Lifecycle Information:

[SparkFun Electronics:](#)

[PRT-17253](#)