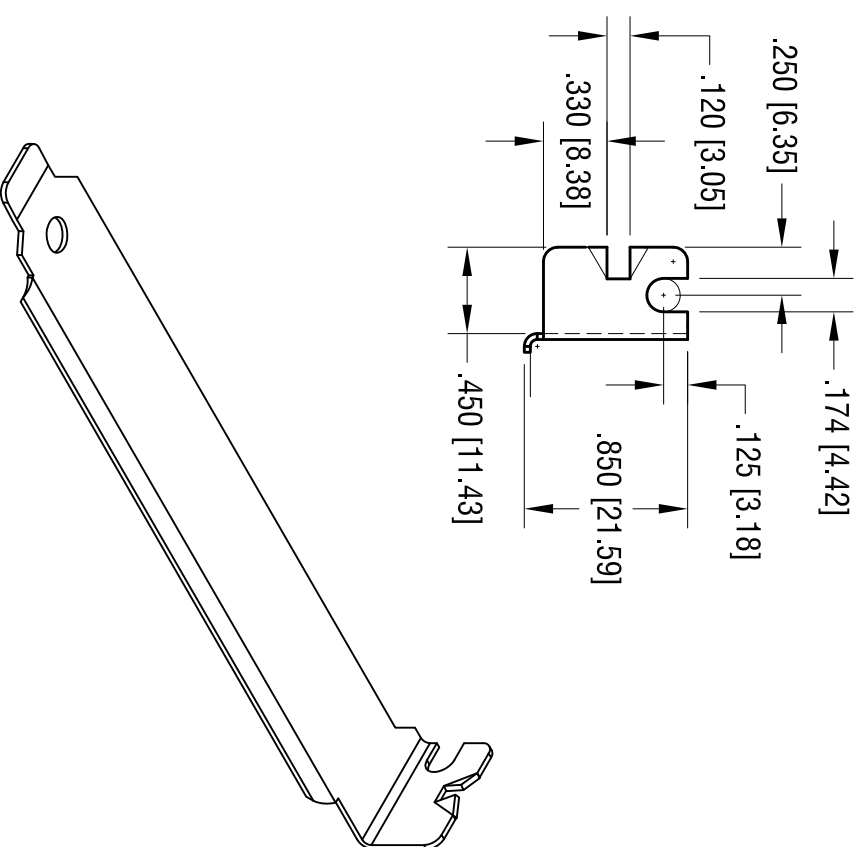
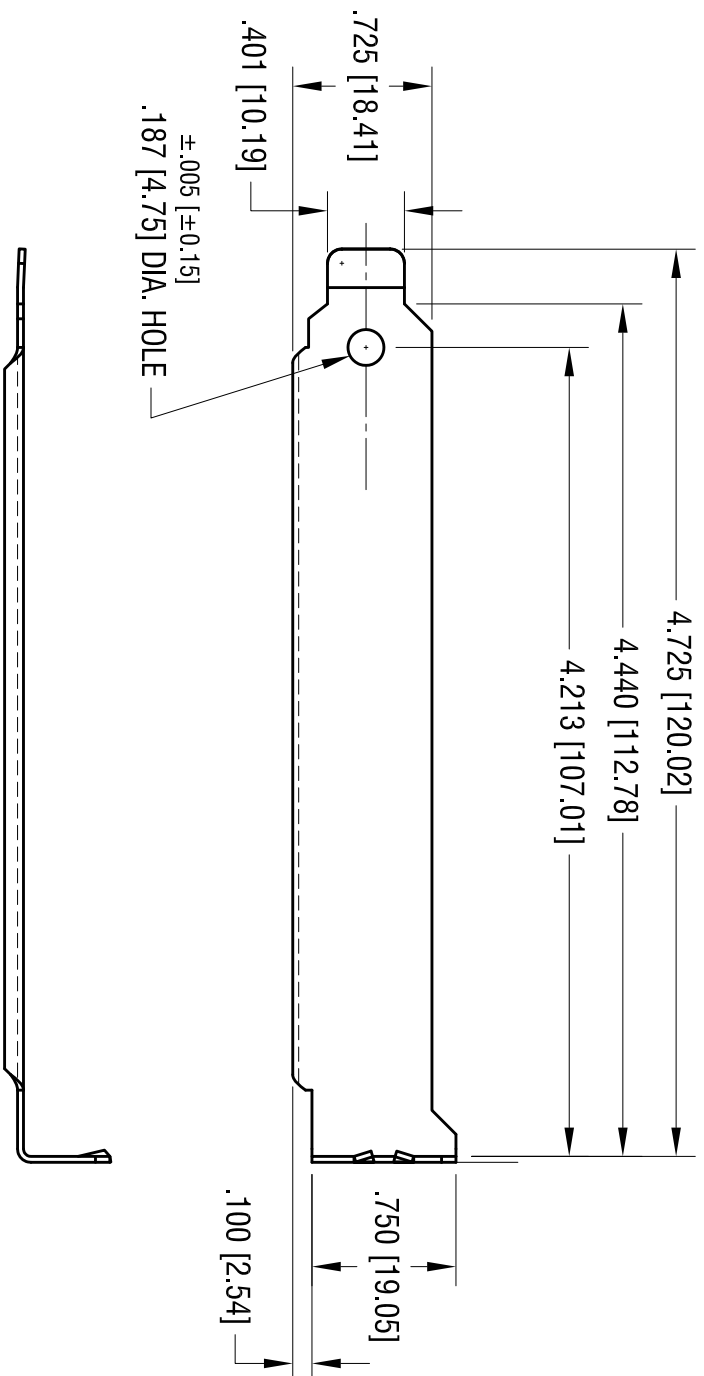


DATE	DESCRIPTION	REV.
6.22.05	CHANGE AS PER ECN 05-043	A
8.19.15	CHANGE AS PER ECN 15-082	B



KEYSTONE ELECTRONICS CORP.

www.keyelco.com • NEW HYDE PARK, NY 11040 • Tel (516) 328-7500

PART NAME

COMPUTER BRACKET

MATERIAL

.032 [0.81] THK STEEL

FINISH

NICKEL PLATE

TOLERANCES	INCH	[MM]	CODE	DWG NO.
DECIMAL	$\pm .015$	[± 0.38]	C	9201
ANGULAR	$\pm 1^\circ$			
UNLESS OTHERWISE SPECIFIED				

THIS DOCUMENT IS THE PROPERTY OF KEYSTONE ELECTRONICS CORP. AND SHALL NOT BE REPRODUCED, DISTRIBUTED OR USED AS A BASIS FOR MANUFACTURE WITHOUT PRIOR WRITTEN PERMISSION FROM KEYSTONE ELECTRONICS CORP.

DRN BY BOONE DATE 6.15.98

App'd LN SCALE 1X

Mouser Electronics

Authorized Distributor

Click to View Pricing, Inventory, Delivery & Lifecycle Information:

[Keystone Electronics:](#)

[9201](#)