

# MC-35/37-MULTI-67-PV-LG - Cable feed-through plates



1415240

<https://www.phoenixcontact.com/us/products/1415240>

Please be informed that the data shown in this PDF document is generated from our online catalog. Please find the complete data in the user documentation. Our general terms of use for downloads are valid.



Cable feed-through plates, no. of conductors: 37, external cable diameter: 4x 6 mm ... 10 mm, 14x 8 mm ... 12 mm, 16x 10 mm ... 14 mm, 2x 12 mm ... 18 mm, 1x 17 mm ... 32 mm, material: galvanized sheet steel (Core), material: TPE-SEBS (external material), color: light grey, length: 222 mm, width: 92 mm, height: 29.5 mm

## Commercial data

Item number	1415240
Packing unit	1 pc
Minimum order quantity	1 pc
Sales key	BF67
Product key	BF7CAX
Catalog page	Page 683 (C-2-2019)
GTIN	4055626039442
Weight per piece (including packing)	300 g
Weight per piece (excluding packing)	291.1 g
Customs tariff number	39269097
Country of origin	FI

# MC-35/37-MULTI-67-PV-LG - Cable feed-through plates



1415240

<https://www.phoenixcontact.com/us/products/1415240>

## Technical data

### Notes

General	incl. mounting screws
General	2 mm thick coated, galvanized sheet steel

### Product properties

Product type	Cable feed-through
No. of conductors	37

### Connection data

External cable diameter	4x 6 mm ... 10 mm
Tightening torque	1.5 Nm ... 2 Nm (Mounting screws)

### Dimensions

Dimensional drawing	
Width	92 mm
Height	29.5 mm
Length	222 mm
Drill hole distance, horizontal	62 mm
Drill hole distance, vertical	194 mm
Hole diameter	8.5 mm

### Material specifications

Material	galvanized sheet steel
	TPE-SEBS
Flammability rating according to UL 94	V0

### Cable/line

External cable diameter (6-10 mm)	4x 6 mm ... 10 mm
External cable diameter (8-12 mm)	14x 8 mm ... 12 mm
External cable diameter (10-14 mm)	16x 10 mm ... 14 mm
External cable diameter (12-18 mm)	2x 12 mm ... 18 mm
External cable diameter (17-32 mm)	1x 17 mm ... 32 mm

### Environmental and real-life conditions

# MC-35/37-MULTI-67-PV-LG - Cable feed-through plates



1415240

<https://www.phoenixcontact.com/us/products/1415240>

## Ambient conditions

Degree of protection	IP66 (Minimum sheet thickness $\geq$ 2.5 mm)
	IP67 (Minimum sheet thickness $\geq$ 2.5 mm)
Ambient temperature (operation)	-40 °C ... 100 °C

## Mounting

Assembly instructions	M8 mounting screw, torque: 1.5 - 2.0 Nm, SW5 Allen key
	The mounting screws included should be used for assembly.
	Assembly steps: 1) Fix Multigates with the mounting screws provided (observe torque) 2) Make a hole in the membrane (with a screwdriver) or cut off the tip of the cone 3) Guide the cable through the opening (from the outside). Withdraw the cable approximately 20 mm (to improve strain relief).

# MC-35/37-MULTI-67-PV-LG - Cable feed-through plates

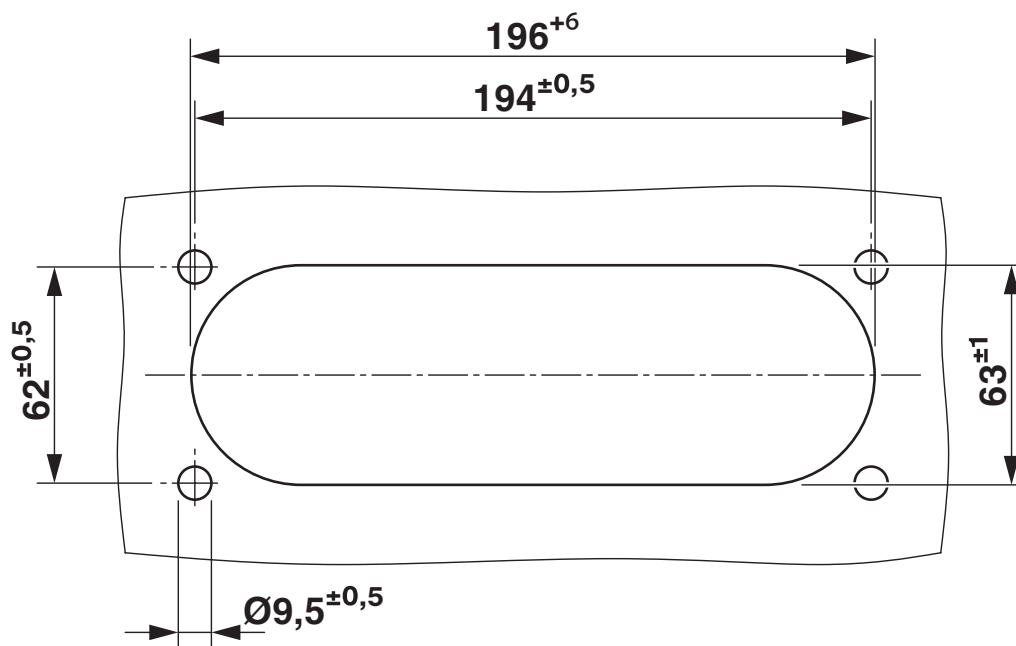


1415240

<https://www.phoenixcontact.com/us/products/1415240>

## Drawings

Dimensional drawing



Wall cutout drawing

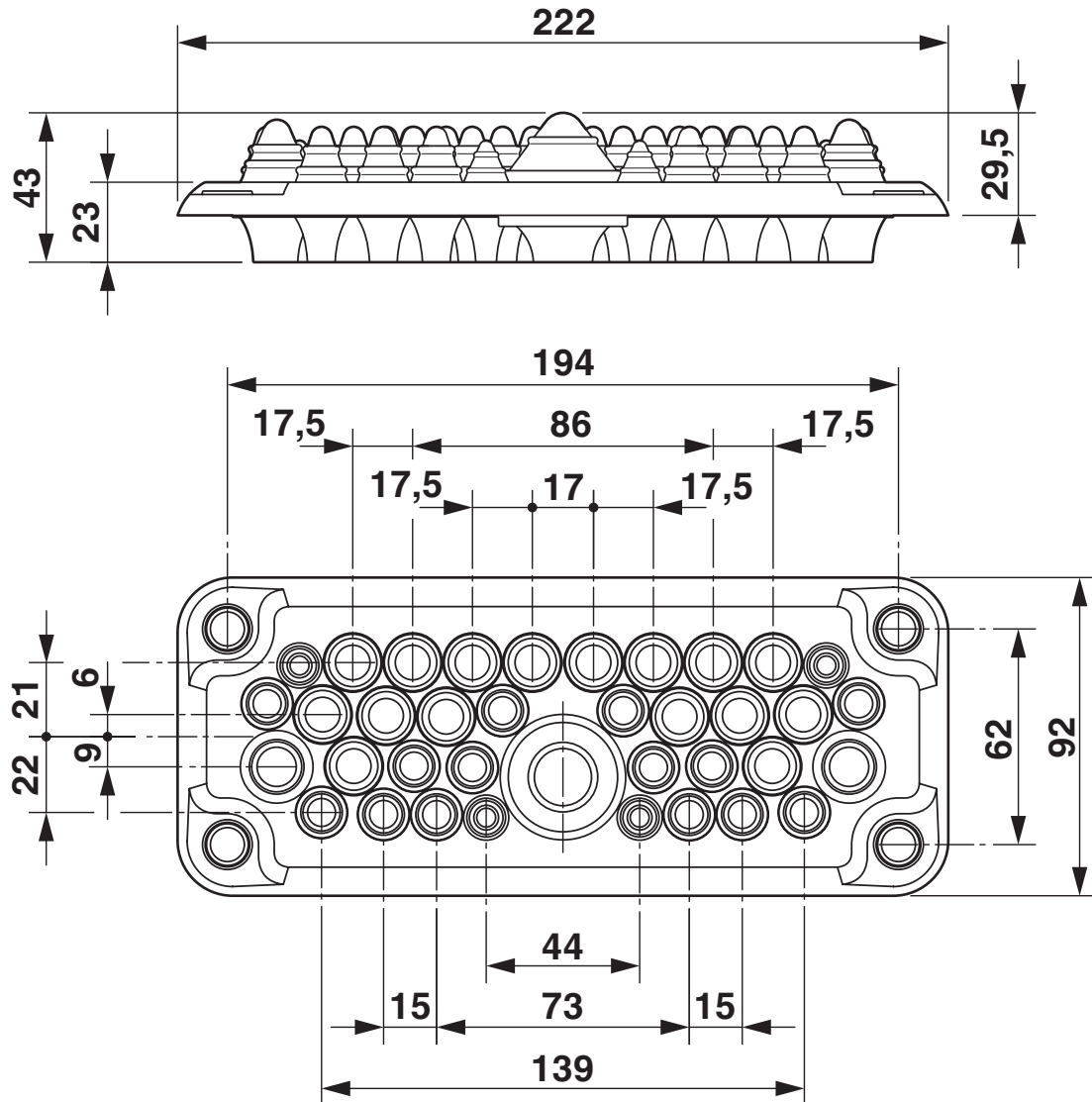
# MC-35/37-MULTI-67-PV-LG - Cable feed-through plates



1415240

<https://www.phoenixcontact.com/us/products/1415240>

Dimensional drawing



Dimensional drawing

# MC-35/37-MULTI-67-PV-LG - Cable feed-through plates



1415240

<https://www.phoenixcontact.com/us/products/1415240>

## Approvals

To download certificates, visit the product detail page: <https://www.phoenixcontact.com/us/products/1415240>



**EAC-RoHS**

Approval ID: RU D-DE.HB35.B.00387

# MC-35/37-MULTI-67-PV-LG - Cable feed-through plates



1415240

<https://www.phoenixcontact.com/us/products/1415240>

## Classifications

### ECLASS

ECLASS-11.0	27400569
ECLASS-12.0	27400569
ECLASS-13.0	27400569

### ETIM

ETIM 9.0	EC001004
----------	----------

### UNSPSC

UNSPSC 21.0	31163000
-------------	----------

# MC-35/37-MULTI-67-PV-LG - Cable feed-through plates



1415240

<https://www.phoenixcontact.com/us/products/1415240>

## Environmental product compliance

China RoHS	Environmentally friendly use period: unlimited = EFUP-e No hazardous substances above threshold values
------------	---

Phoenix Contact 2023 © - all rights reserved  
<https://www.phoenixcontact.com>

Phoenix Contact USA  
586 Fulling Mill Road  
Middletown, PA 17057, United States  
(+717) 944-1300  
[info@phoenixcon.com](mailto:info@phoenixcon.com)