



Product availability: Non-Stock - Not normally stocked in distribution facility



Main

Range of product	Modicon M238 logic controller
Product or component type	Counter module
Electrical connection	2 spring terminal blocks

Complementary

Number of modules	3 counter modules per TM238 base
Discrete input number	12 conforming to EN/IEC 61131-2 type 1
Discrete output number	4
Application specific I/O	Frequency generator Downcounting Axis following Upcounting Period measurement Frequency meter
Counting mode	8 mode configurable
Counter inputs resolution	31 bits + sign
Counting frequency	60 kHz
Cycle time	1 ms
Input compatibility	2 and 3-wire sensors (24 V) Incremental signal encoder with 15...30 V source outputs
Type of cable	Shielded cable
Isolation between channels and internal logic	1500 V for 1 minute
Discrete input type	Auxiliary input (IN_CAP) Auxiliary input (IN_EN) Auxiliary input (IN_REF) High-speed (IN_A) High-speed (IN_B) High-speed (IN_SYNC)
Discrete input logic	Positive logic (sink)
Discrete input voltage	24 V DC
Voltage state 1 guaranteed	15...30 V
Current state 1 guaranteed	5 mA
Voltage state 0 guaranteed	<= 5 V
Current state 0 guaranteed	<= 0.5 mA
Discrete input current	>= 2 mA 11 V
Discrete output logic	Positive logic (source)
Discrete output voltage	24 V DC 19.2...30 V
Discrete output current	0.5 A
Load current	2 A per module 0.5 A per output
Response time on output	<= 200 µs energisation/de-energisation
Leakage current	<= 0.1 mA at state 0

The information provided in this documentation contains general descriptions and/or technical characteristics of the performance of the products contained herein. This documentation is not intended as a substitute for and is not to be used for determining suitability or reliability of these products for specific user applications. It is the duty of any such user or integrator to perform the appropriate and complete risk analysis, evaluation and testing of the products with respect to the relevant specific application or use thereof. Neither Schneider Electric Industries SAS nor any of its affiliates or subsidiaries shall be responsible or liable for misuse of the information contained herein.

Voltage drop	<= 3 V at state 1
Short-circuit protection	Automatic reset after disappearance of fault
Output overload protection	0.5...1.5 A trip current with automatic reset after fault disappearance, per o/p
Fallback status	Faulty channel set to 0 Each channel held at its last value or set to the predefined value (0 or 1)
Load inductance	L = 0.5/I²F
Load capacitance	50 µF
Local signalling	1 display block
Current consumption	<= 100 mA 24 V DC internal supply <= 100 mA 5 V DC internal supply <= 2 A 24 V DC external power supply
Mounting support	35 mm symmetrical DIN rail

Ordering and shipping details

Category	22531 - PLCS, TWIDO, TWD
Discount Schedule	PC12
GTIN	00785901723462
Nbr. of units in pkg.	1
Package weight(Lbs)	0.530000000000000003
Returnability	N
Country of origin	ID

Offer Sustainability

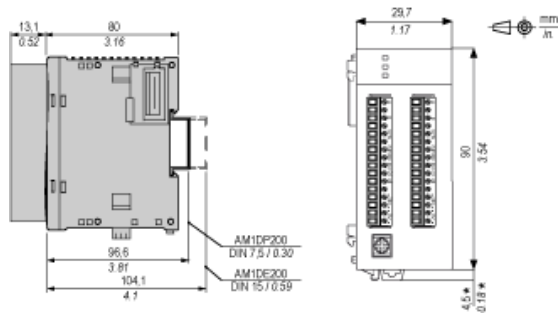
Sustainable offer status	Green Premium product
RoHS (date code: YYWW)	Compliant - since 0925 - Schneider Electric declaration of conformity Schneider Electric declaration of conformity
REACH	Reference not containing SVHC above the threshold
Product environmental profile	Available
Product end of life instructions	Available
California proposition 65	WARNING: This product can expose you to chemicals including:
----- Substance 1	Lead and lead compounds, which is known to the State of California to cause cancer and birth defects or other reproductive harm.
----- More information	For more information go to www.p65warnings.ca.gov

Contractual warranty

Warranty period	18 months
-----------------	-----------

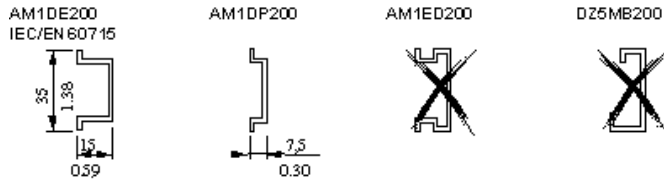
High Speed Counter (HSC) Module

Dimensions



NOTE: * 8.5 mm (0.33 in) when the clip-on lock is pulled out.

DIN Rail Mounting

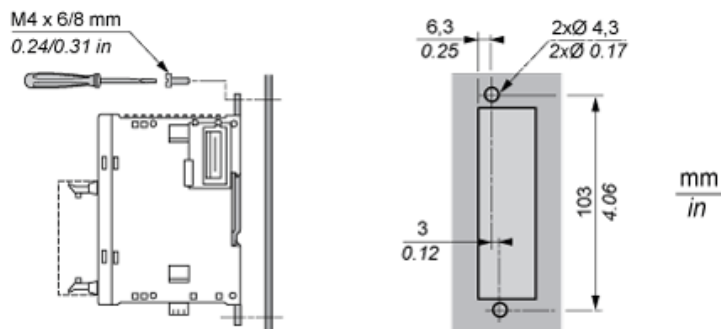


Rail depth	Catalogue part number
15 mm (0.59 in.)	AM1DE200
7,5 mm (0.30 in.)	AM1DP200

NOTE: Do not use AM1ED200 and DZ5MB200

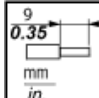

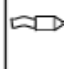
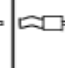


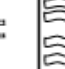
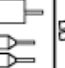
Module Mounting on a Panel Surface

Mounting Hole Layout



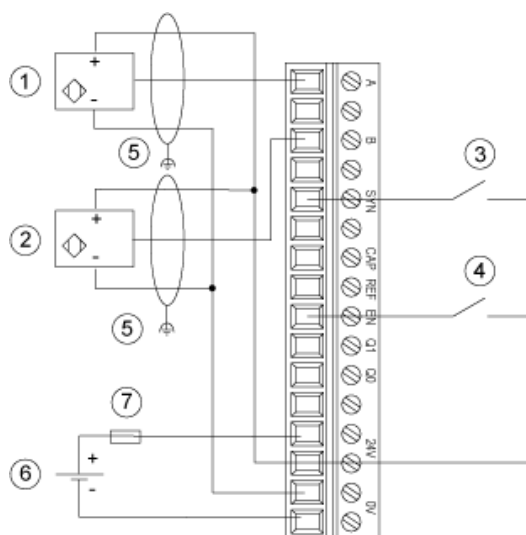
Wiring Requirements

Cable Types and Wire Sizes for Removable Screw Terminal Block

							
	mm ²	0,14...1,5	0,25...0,5	0,25...1,5	0,14...0,5	0,14...0,75	0,25...0,34
AWG	26...16	24...20	24...16	26...20	26...18	24...22	20

Wiring Diagrams Examples

Sensors Connections



- 1 IN_A input
- 2 IN_B input
- 3 IN_SYNC input (synchronization input)
- 4 IN_EN input (enable input)
- 5 Functional ground
- 6 24 Vdc Power Supply
- 7 External fuse

Mouser Electronics

Authorized Distributor

Click to View Pricing, Inventory, Delivery & Lifecycle Information:

[Schneider Electric:](#)

[TM200HSC206DF](#)