

US082-ZMOD4510EVZ

The US082-ZMOD4510EVZ board enables quick prototyping of the [ZMOD4510](#) gas sensor module for outdoor air quality (OAQ) in a custom system design. The board provides a standard Pmod™ Type 6A (Extended I²C) connection for the on-board sensor to plug into any required MCU evaluation kit with a matching connector.

The US082-ZMOD4510EVZ features Pmod connectors on both sides of the board to allow additional Type 6/6A boards to be connected in a daisy-chained solution with multiple sensors on the same MCU Pmod connector. Software support present in the Renesas IDE (e² studio) provides code generation to connect the sensor and the MCU significantly reducing development time. Because of the standard connector and software support, the US082-ZMOD4510EVZ is the best choice to rapidly create an IoT system with the Renesas Quick-Connect IoT.

Features

- Gas sensor module for outdoor air quality ZMOD4510 sensor sample mounted:
 - Supports different methods of operation, including Total Outdoor Air Quality (1st Gen) and Ultra-Low Power with selective ozone measurements (2nd Gen)
 - Supports international standards for air quality, such as the US Environmental Protection Agency (EPA)
- Standardized Type 6A Pmod connector supports I²C Extended interface
- Dual connectors allow pass-through signals for daisy-chained solutions
- Software support in e² studio minimizes development time with one-click code generation

Board Contents

- US082-ZMOD4510EVZ Board

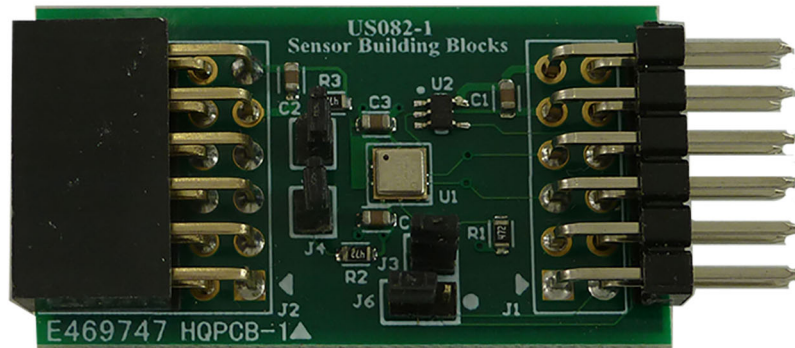


Figure 1. US082-ZMOD4510EVZ Pmod Board

Contents

1. Functional Description	3
2. Setup	4
2.1 Required or Recommended User Equipment	4
2.2 Software Installation and Usage	4
2.3 Kit Hardware Connections	4
3. Programming Interface	5
4. Board Design	6
4.1 Schematic Diagrams	7
4.2 Bill of Materials	7
4.3 Board Layout	8
5. Ordering Information	9
6. Revision History	9

1. Functional Description

The US082-ZMOD4510EVZ functions as a sensor building block to create a custom system solution. It can be used individually or with a combination of other sensors using the Pmod Type 6A interface. See the [Renesas Quick-Connect IoT](#) web page for a list of available sensor Pmod boards. Along with a simple hardware connection, the software sensor block in the Renesas software package allows you to generate all the necessary glue code between the sensor and the MCU with the simple click of a button.

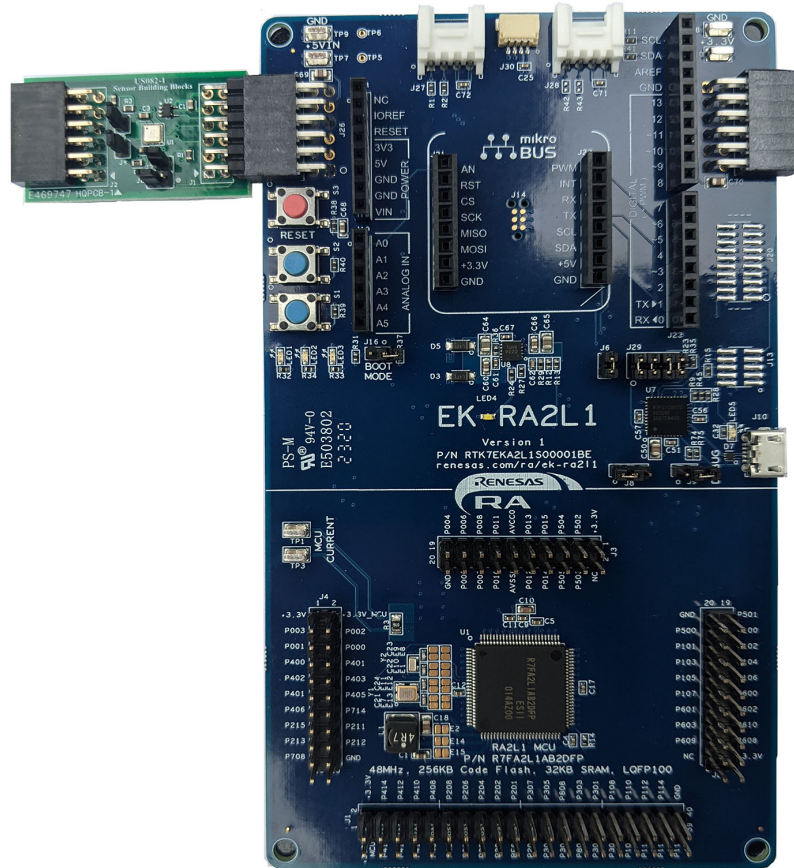


Figure 2. US082-ZMOD4510EVZ Pmod Board with RA2L1 MCU Kit

2. Setup

2.1 Required or Recommended User Equipment

The following additional lab equipment (sold separately) is required for using the board:

- Any MCU board that supports Type 6A Pmod.
- US082-INTERPEVZ interposer board if using one of the Renesas MCU kits shown in [Table 1](#).

Table 1. Renesas MCU Evaluation Kits^[1] capable of supporting Type 6A PMODs when used with the US082-INTERPEVZ

RA	RX	Synergy
EK-RA4W1	RX111-Starter-Kit	PK-S5D9
EK-RA2A1	RX231-Starter-Kit	DK-S3A7
EK-RA4M1	RX23W-Starter-Kit	DK-S128
EK-RA6M1	RX23T-Starter-Kit	TB-S1JA
EK-RA6M2	RX24T-Starter-Kit	TB-S3A6
EK-RA6M3	RX24U-Starter-Kit	DK-S7G2
EK-RA6M3G		

1. This table is not a comprehensive list of supported MCU Kits. See the evaluation kit hardware manual to confirm Pmod pinout.

2.2 Software Installation and Usage

See the Renesas [website](#) for the latest version of the e2 studio installer. The minimum FSP version supporting sensor blocks is FSP 3.1.0. For the latest sensor support, ensure you are using the latest release.

Visit [Renesas Quick-Connect IoT](#) for more information about creating your customized system solution.

2.3 Kit Hardware Connections

Follow these procedures to set up the kit as shown on [Figure 3](#).

- Ensure the MCU evaluation kit has a Pmod connector set to Type 6A (see the kit hardware manual if unsure).
 - If no Type 6A Pmod is available, ensure the MCU evaluation kit can use the US082-INTERPEVZ interposer board and insert the board into the MCU connector before adding any sensor boards.
- Plug in the US082-ZMOD4510EVZ to the Type 6A connector, being careful to align Pin 1 on the sensor board and MCU kit.
- Connect the J4 and J5 jumpers to place 4.7k pull-up resistors on the I²C bus lines.
 - Only one set of I²C pull-up resistors should be used on the bus. If multiple sensor boards are used, only one board should have the jumpers present.
 - MCU kits typically do not have pull-up resistors present on the bus lines but double check for them.
- The INT pin of the ZMOD4510 is a push-pull output signaling if a measurement is being taken. Connect it to the Busy (GPIO) pin of the Pmod connector by placing Jumper J6 on Pins 1-2. Connect it to the INT pin of the Pmod connector by placing Jumper J6 on Pins 2-3. Connect Jumper J3 to add an optional 4.7k pull-up resistor to this line.

- The sensor is now ready to be used in the system. Follow the MCU kit instructions for connecting and powering up the evaluation kit.

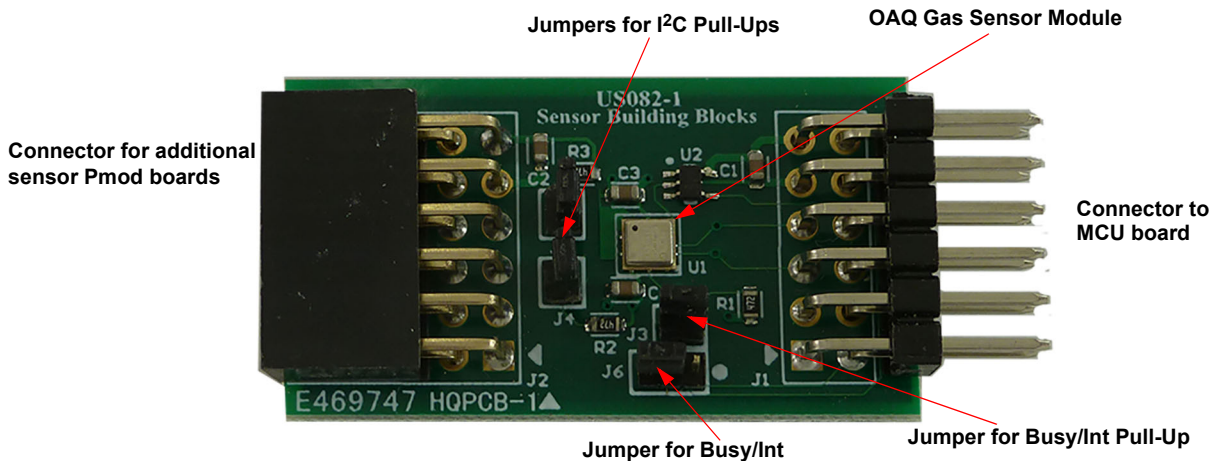


Figure 3. Evaluation Kit Connections

3. Programming Interface

Programming of the system can be accomplished through Renesas IDE, e² studio. See the MCU evaluation kit documentation to set up the initial project in e² studio. As the project is initialized, adding the ZMOD4510 sensor to the project only takes a few steps.

- Navigate to the **Components** tab, open the Middleware/all folder, and select the required sensor and mode of operation. For the case shown in Figure 4, select the **rm_ZMOD4xxx_rx** and **rm_zmod4510_oaq_2nd**.

Components Configuration

[Generate Project Content](#)

Component	Version	Description	Variant
<input type="checkbox"/> rm_vee_flash	3.1.0-alpha0+20...	Virtual EEPROM	
<input type="checkbox"/> rm_zmod4410_iaq_1st	3.1.0-alpha0+20...	ZMOD4XXX Sensor Lib IAQ 1st	
<input type="checkbox"/> rm_zmod4410_iaq_2nd	3.1.0-alpha0+20...	ZMOD4XXX Sensor Lib IAQ 2nd	
<input type="checkbox"/> rm_zmod4410_odor	3.1.0-alpha0+20...	ZMOD4XXX Sensor Lib Odor	
<input type="checkbox"/> rm_zmod4410_sulfur	3.1.0-alpha0+20...	ZMOD4XXX Sensor Lib Sulfur	
<input type="checkbox"/> rm_zmod4510_oaq_1st	3.1.0-alpha0+20...	ZMOD4XXX Sensor Lib OAQ 1st	
<input checked="" type="checkbox"/> rm_zmod4510_oaq_2nd	3.1.0-alpha0+20...	ZMOD4XXX Sensor Lib OAQ 2nd	
<input checked="" type="checkbox"/> rm_zmod4xxx	3.1.0-alpha0+20...	ZMOD4XXX Sensor Implementation	

> **Projects**

Summary | BSP | Clocks | Pins | Interrupts | Event Links | Stacks | **Components**

Figure 4. Component Configuration in Renesas e² studio

- Click the **Generate Project Content** icon and the system generates the code to configure the sensor with the MCU.
- Write three to four lines of code to check the version, initialize the sensor, start the measurement cycle, and get the data. The following is example code for an RA MCU.

```
err = p_zmod4xxx_api->open(p_zmod4xxx_ctrl, p_zmod4xxx_cfg); // Configure the sensor
err = p_zmod4xxx_api->measurementStart(p_zmod4xxx_ctrl); // Start measuring
err = p_zmod4xxx_api->read(p_zmod4xxx_ctrl, &gs_zmod4510_raw_data, NULL); //Get data
```

- Use the data in your given application. Sample projects are available on the Renesas website as well.

For more information on creating your full system design, further information on software development, and additional hardware availability, visit the Renesas Quick-Connect IoT web page.

4. Board Design

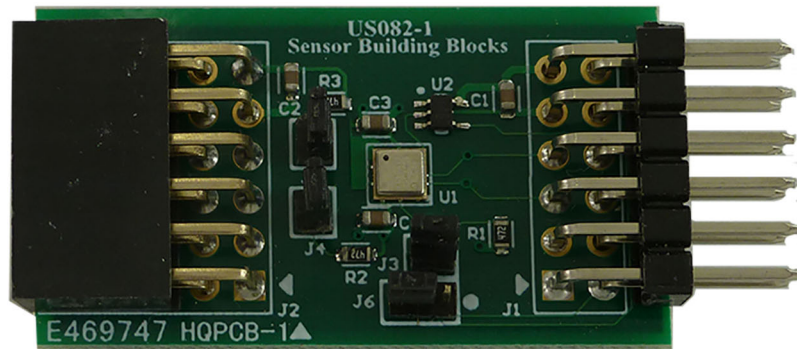


Figure 5. US082-ZMOD4510EVZ Evaluation Board (Top)

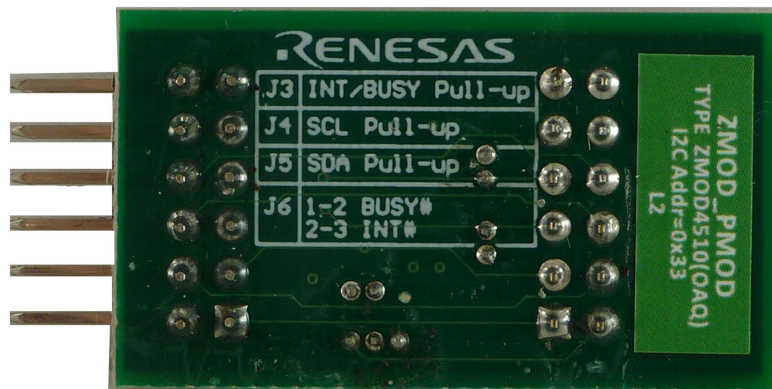


Figure 6. US082-ZMOD4510EVZ Evaluation Board (Bottom)

4.1 Schematic Diagrams

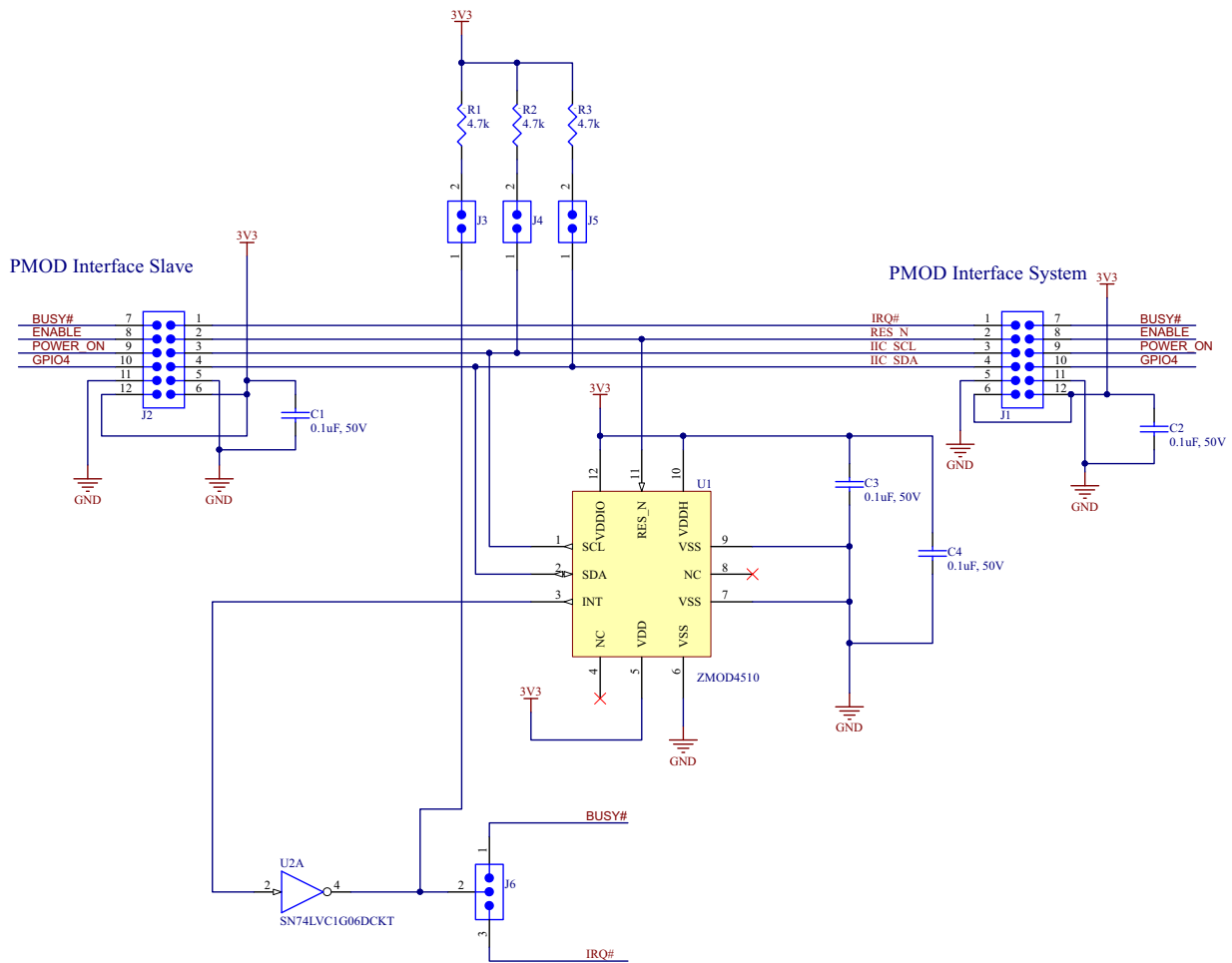


Figure 7. US082-ZMOD4510EVZ Schematic

4.2 Bill of Materials

Qty	Reference	Description	Value	PCB Footprint	Part Number
4	C1, C2, C3, C4	Capacitor, 0.1µF, 50V, 0603	0.1µF	0603	C0603C104J5RACTU
1	J1	Male Header 0.1" pitch PMOD 2x6 Right Angle	Pmod™	PMOD-MALE-TOP	M20-9950645
1	J2	Female Header 0.1" pitch PMOD 2x6 Right Angle		CON-000050-01	SSW-106-02-F-D-RA
3	J3, J4, J5	CONN HEADER VERT 2POS 1.27 MM		HDR-1X2-FTS	FTS-102-01-L-S
1	J6	CONN HEADER VERT 3POS 1.27 MM		HDR-1X3-FTS	FTS-103-01-L-D
3	R1, R2, R3	Resistor, 4.7k, 0603	4.7k	0603	RC0603JR-074K7L
1	U1	Gas Sensor Module		ZMOD4510	ZMOD4510
1	U2	Single Inverter Buffer/Driver With Open-Drain Output		DCK0005A_N	SN74LVC1G06DCKT
4	J3, J4, J5, J6	1.27" 1x2 Jumper with Grip, Gold			NPB02SVFN-RC

4.3 Board Layout

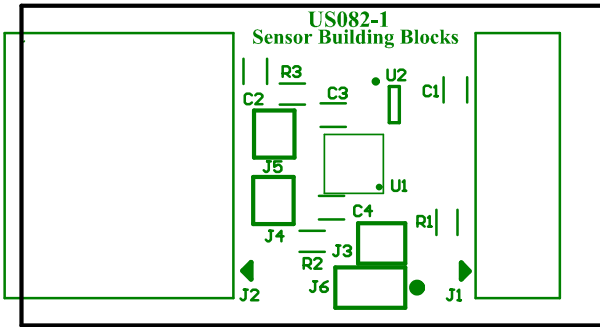


Figure 8. Silkscreen Top Layer

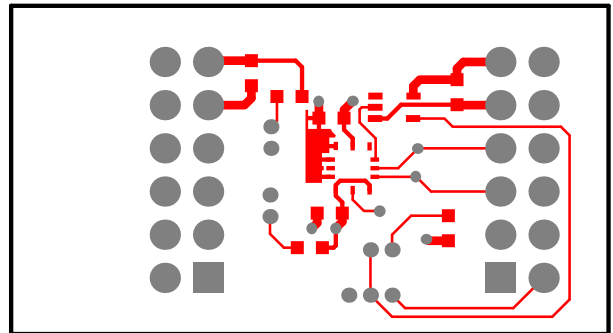


Figure 9. Top Layer

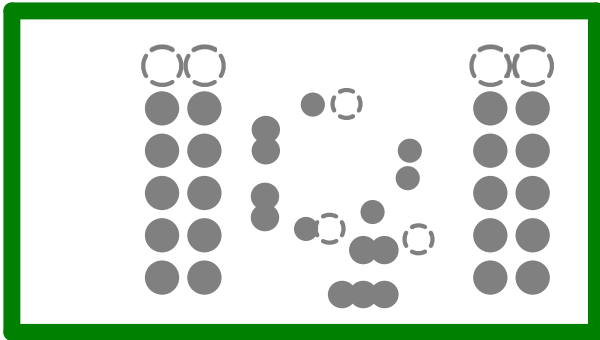


Figure 10. Layer 1

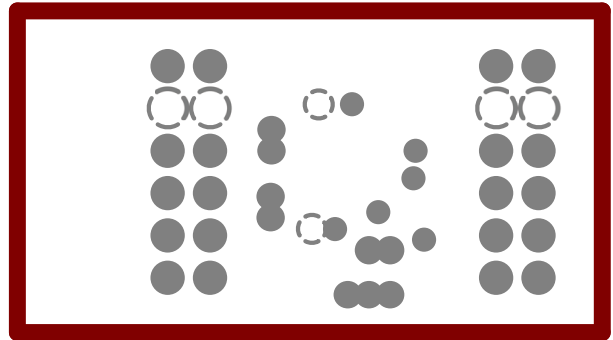


Figure 11. Layer 2

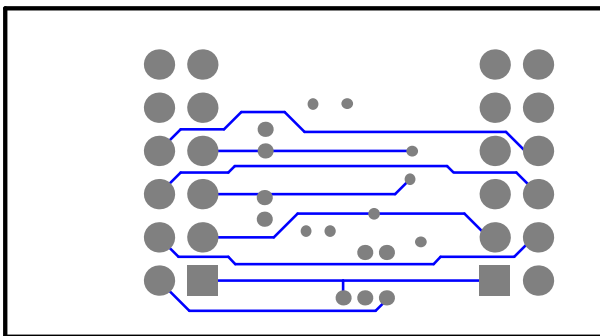


Figure 12. Bottom Layer

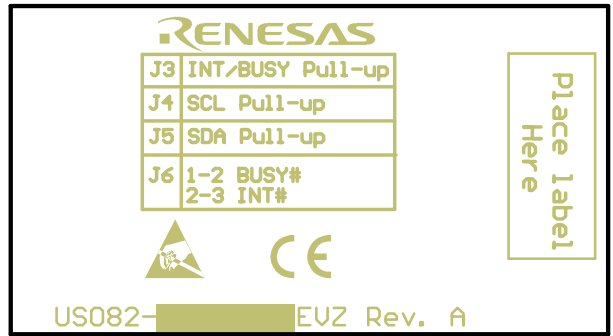


Figure 13. Silkscreen Bottom Layer

5. Ordering Information

Part Number	Description
US082-ZMOD4510EVZ	ZMOD4510 Pmod Board
US082-INTERPEVZ	Pmod interposer board to convert Type 2A and 3A to Type 6A on older Renesas MCU kits.

6. Revision History

Revision	Date	Description
1.0	Jun 10, 2021	Initial release

IMPORTANT NOTICE AND DISCLAIMER

RENESAS ELECTRONICS CORPORATION AND ITS SUBSIDIARIES (“RENESAS”) PROVIDES TECHNICAL SPECIFICATIONS AND RELIABILITY DATA (INCLUDING DATASHEETS), DESIGN RESOURCES (INCLUDING REFERENCE DESIGNS), APPLICATION OR OTHER DESIGN ADVICE, WEB TOOLS, SAFETY INFORMATION, AND OTHER RESOURCES “AS IS” AND WITH ALL FAULTS, AND DISCLAIMS ALL WARRANTIES, EXPRESS OR IMPLIED, INCLUDING, WITHOUT LIMITATION, ANY IMPLIED WARRANTIES OF MERCHANTABILITY, FITNESS FOR A PARTICULAR PURPOSE, OR NON-INFRINGEMENT OF THIRD PARTY INTELLECTUAL PROPERTY RIGHTS.

These resources are intended for developers skilled in the art designing with Renesas products. You are solely responsible for (1) selecting the appropriate products for your application, (2) designing, validating, and testing your application, and (3) ensuring your application meets applicable standards, and any other safety, security, or other requirements. These resources are subject to change without notice. Renesas grants you permission to use these resources only for development of an application that uses Renesas products. Other reproduction or use of these resources is strictly prohibited. No license is granted to any other Renesas intellectual property or to any third party intellectual property. Renesas disclaims responsibility for, and you will fully indemnify Renesas and its representatives against, any claims, damages, costs, losses, or liabilities arising out of your use of these resources. Renesas' products are provided only subject to Renesas' Terms and Conditions of Sale or other applicable terms agreed to in writing. No use of any Renesas resources expands or otherwise alters any applicable warranties or warranty disclaimers for these products.

(Rev.1.0 Mar 2020)

Corporate Headquarters

TOYOSU FORESIA, 3-2-24 Toyosu,
Koto-ku, Tokyo 135-0061, Japan
www.renesas.com

Contact Information

For further information on a product, technology, the most up-to-date version of a document, or your nearest sales office, please visit:
www.renesas.com/contact/

Trademarks

Renesas and the Renesas logo are trademarks of Renesas Electronics Corporation. All trademarks and registered trademarks are the property of their respective owners.

Mouser Electronics

Authorized Distributor

Click to View Pricing, Inventory, Delivery & Lifecycle Information:

[Renesas Electronics:](#)

[US082-ZMOD4510EVZ](#)