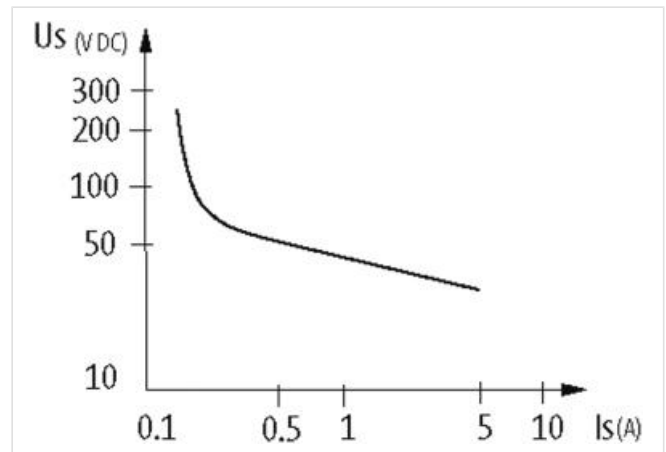
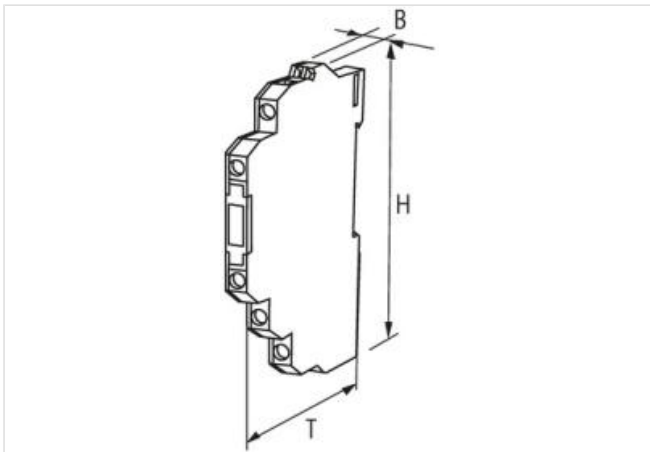
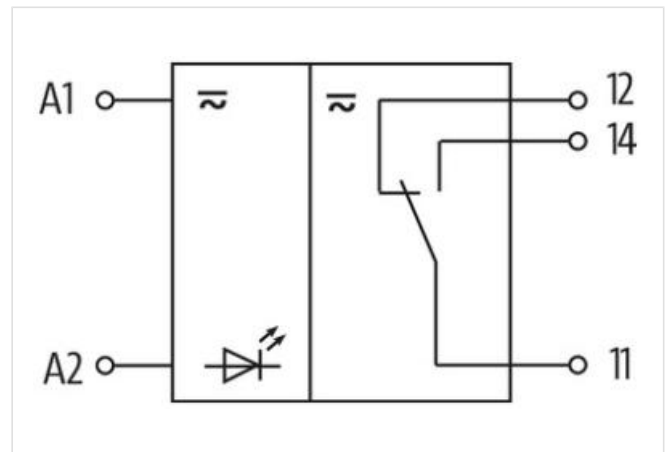
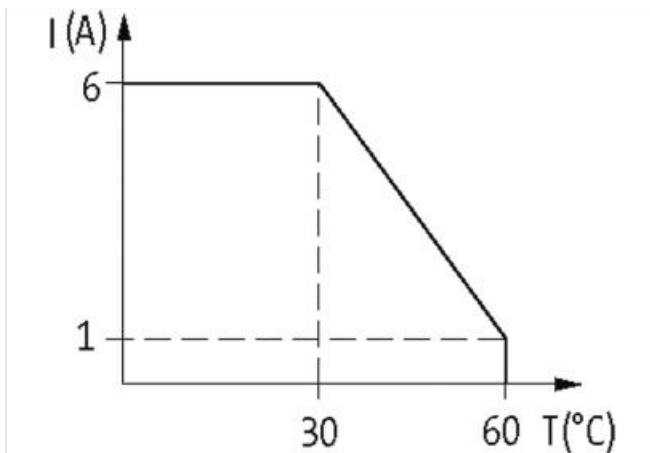


**MIRO 6.2 110V-1U OUTPUT RELAY**

IN: 110 VAC/DC - OUT: 250 VAC/DC / 6 A

1 NO/NC contact  
6 A  
110 V AC/DC  
Screw terminals

[Link to Product](#)**Illustration**



Product may differ from Image



#### Output

Min. load current	10 mA (12 V DC)
Contact material	Ag Sn O <sub>2</sub>
Energize/release/contact bounce time	10/15/1.5 ms
Switching voltage	max. 250 V AC/DC
Power rating (voltage dependent)	max. 1500 VA/120 W
Switching current per output	max. 6 A

#### Utilization category

AC-15	3 A (24/110/230 V AC)
AC-12	6 A (24/110/230 V AC)
DC-13	1 A (24 V DC); 0.2 A (110 V DC); 0.1 A (230 V DC)

#### Input

Connection voltage - current	110 V AC/DC (95...121 V AC/DC) - 4 mA
LED display	LED (green)

#### General data

Mounting method	DIN-rail mountable (EN 60715)
Temperature range	-20...+55 $^{\circ}\text{C}$
Mech./ elect. life	20 000 000 switching cycles/load dependent
Dimensions H×W×D	91×6.2×71 mm

# Mouser Electronics

Authorized Distributor

Click to View Pricing, Inventory, Delivery & Lifecycle Information:

[Murrelektronik:](#)

[52030](#)