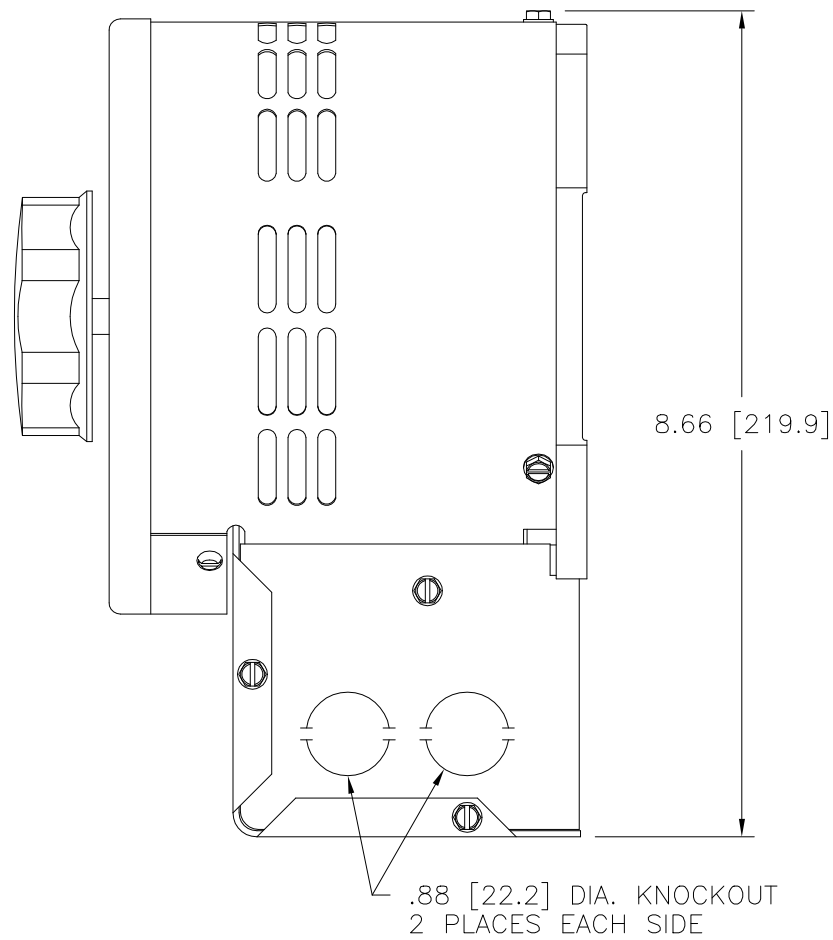


.34 [8.7] DIA. HOLE
 4 PLACES FOR
 CUSTOMER MOUNTING



NOTE:
 UNIT IS SUPPLIED WITH A 3.75 [95.2] DIA.
 0-100 GRADUATED DIAL PLATE FOR PANEL
 MOUNTING.

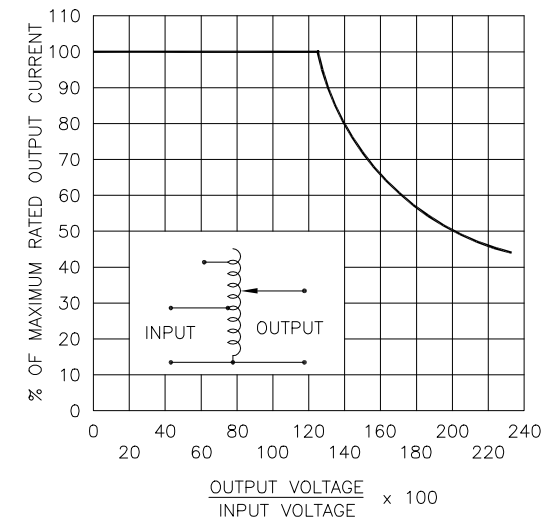
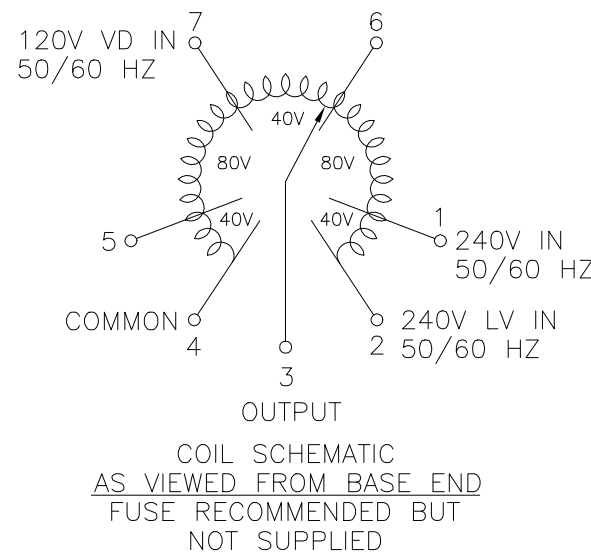
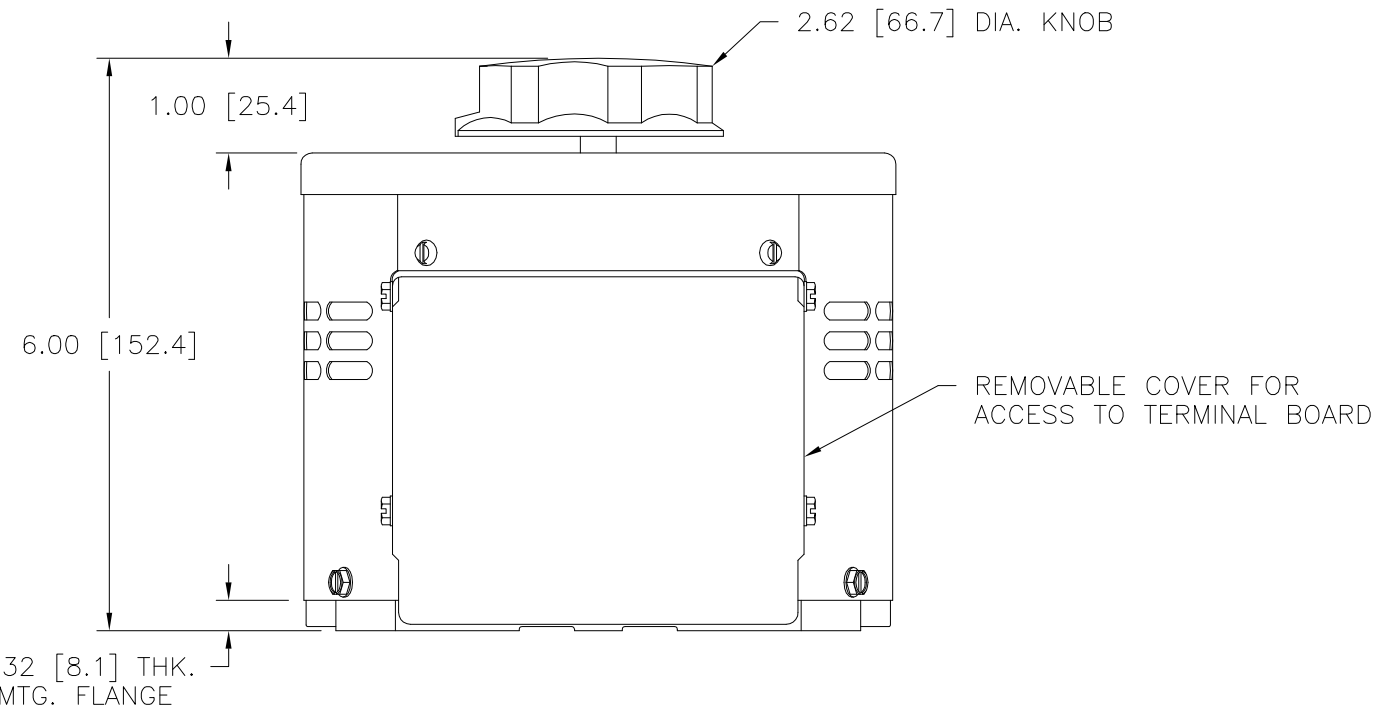


FIGURE A
 MAXIMUM OUTPUT CURRENT OF ANY
 DUAL INPUT VOLTAGE OR VOLTAGE DOUBLER
 UNIT OPERATED AT LOWER INPUT VOLTAGE.

MAXIMUM OUTPUT CURRENT IN OUTPUT VOLTAGE RANGE FROM 0 TO 25% ABOVE
 LINE VOLTAGE. AT HIGHER OUTPUT VOLTAGES, THE OUTPUT CURRENT MUST BE
 REDUCED ACCORDING TO THE DERATING CURVE FIGURE A.

§ MAXIMUM KVA AT MAXIMUM OUTPUT VOLTAGE AND CORRESPONDING DERATED
 OUTPUT CURRENT. MAXIMUM KVA FOR LOWER VOLTAGES MAY BE CALCULATED
 FROM DERATING CURVE FIGURE A.



SPECIFICATIONS										
WIRING	INPUT		OUTPUT				SHAFT ROTATION TO INCREASE VOLTAGE	TERMINAL CONNECTIONS		
	VOLTS	HERTZ	VOLTS	CONSTANT CURRENT LOAD	CONSTANT IMPEDANCE LOAD	FOR INCREASING VOLTAGE AS VIEWED FROM BASE END		INPUT	JUMPER	OUTPUT
SINGLE PHASE	240	50/60	0-240	9.5	2.28	12	2.88	CW	2-4	4-3
			0-280	9.5	2.66	—	—	CCW	2-4	2-3
	120	50/60	0-280	9.5#	1.14§	—	—	CW	1-4	4-3
			0-280	9.5#	1.14§	—	—	CCW	5-2	2-3

UNLESS OTHERWISE SPECIFIED, TOLERANCE IS #
 DECIMALS HOLES ANGLES DRAFT
 XX .0005 .06 .01 1° 1-1/2°
 XXX .005

UNITS
 IN [mm]

TITLE: SPEC. CONTROL DRAWING
 VARIABLE TRANSFORMER
 MODEL: 1520CT

MATERIAL: ALL DIMENSIONS APPLY AFTER PLATING

DO NOT SCALE DWG.

CUSTOMER APPROVAL

DATE

DATE 4/22/99

DATE 4/22/99

DATE

SCALE 1=1

WEIGHT APPROX. 19 LBS

CODE IDENT. NO. 83008

DWG. NO. 031-3951

SHEET 1 OF 1

DWG. NO. 031-3951



Mouser Electronics

Authorized Distributor

Click to View Pricing, Inventory, Delivery & Lifecycle Information:

[Staco:](#)

[1520CT](#)