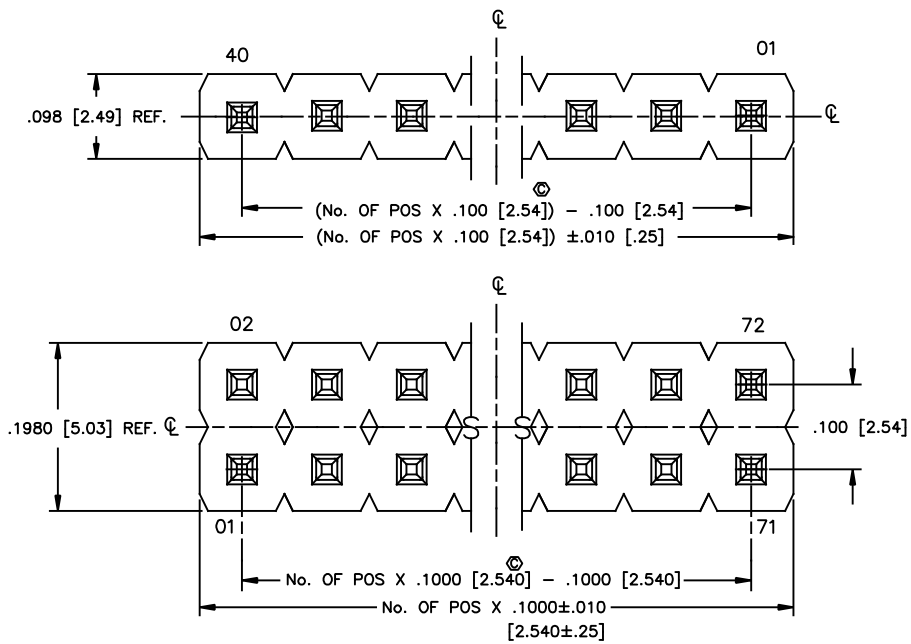


DO NOT SCALE FROM THIS PRINT.

DIMENSIONS ARE IN INCHES UNLESS OTHERWISE NOTED TOLERANCES ARE:
 ONE PLACE DECIMALS ± .1 [3] THREE PLACE DECIMALS ± .005 [.13]
 TWO PLACE DECIMALS ± .01 [.3] FOUR PLACE DECIMALS ± .0020 [.051]

TITLE: MODIFIED LOW PROFILE TERMINAL ASSEMBLY
 DWG NO: MTLW-1XX-XX-XX-X-XXX-XX-XX
 SHEET 1 OF 2



MTLW-1XX-XX-XX-X-XXX-XX-XX

No. OF POSITIONS
 -01 THRU -40 (SINGLE)
 -01 THRU -36 (DOUBLE)

LEAD STYLE
 SEE TABLE 1

OPTION #2
 -POLARIZING SPEC.
 XX INDICATES POS. TO BE OMITTED

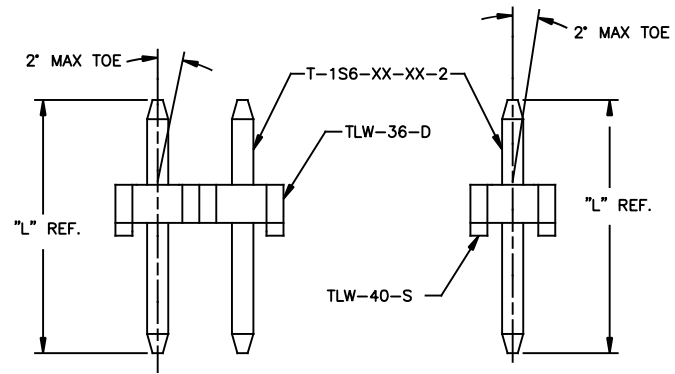
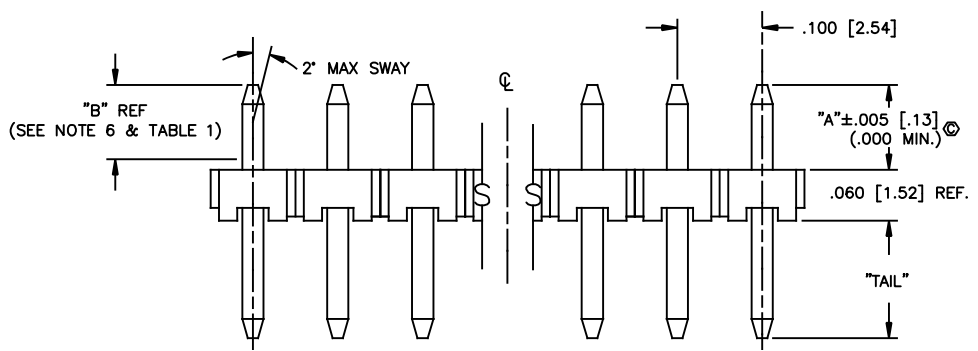
OPTION #1
 -BLANK=STRAIGHT
 -LL: LOCKING LEADS (SEE FIG 1, SHT2)
 (TAIL: MIN OF .090 [2.29], MAX OF .310 [7.87])

POST HEIGHT
 XXX= (.000) MIN - (L-.060) MAX
 (SEE TABLE 1 "A" FOR .090 TAIL REF)

ROW SPECIFICATION
 -S: SINGLE
 -D: DOUBLE

PLATING SPECIFICATION

- G: GOLD, 10 Au / 50 Ni MIN ON CONTACT, 3 Au / 50 Ni MIN ON TAIL
- T: MATTE TIN CONTACT AND TAIL
- S: SELECTIVE, 30 Au / 50 Ni MIN ON CONTACT, MATTE TIN TAIL
- H: HEAVY GOLD, 30 Au / 50 Ni MIN ON CONTACT, 3 Au / 50 Ni MIN ON TAIL
- F: FLASH SELECTIVE, 3 Au / 50 Ni MIN ON CONTACT, MATTE TIN TAIL
- L: LIGHT SELECTIVE, 10 Au / 50 Ni ON CONTACT, MATTE TIN TAIL
- TM: MATTE TIN CONTACT AND TAIL
- SM: SELECTIVE, 30 Au / 50 Ni ON CONTACT, MATTE TIN TAIL
- LM: LIGHT SELECTIVE, 10 Au / 50 Ni MIN ON CONTACT, MATTE TIN TAIL
- FM: FLASH SELECTIVE, 3 Au / 50 Ni MIN ON CONTACT, MATTE TIN TAIL



NOTES:

- 1.) MAX ALLOWABLE BOW AFTER ASSEMBLY: .005 [.13] IN/IN.
- 2.) TERMINAL PUSHOUT FORCE: 2 lbs. MIN.
- 3.) MAX PIN ROTATION IN BODY: 2'.
- 4.) ⊙ REPRESENTS A CRITICAL DIMENSION
- 5.) MAX CUT FLASH .010 [.25].
- 6.) GOLD CONTACT AREA LOCATION FOR G, H, S, L, & F PLATINGS.
- 7.) ORIENTATE PINS TO REDUCE THE NUMBER OF BANDOLIERS MARKS IN THE POST AREA. (SEE TABLE 2)

TABLE 1

LEAD STYLE	TERMINAL	"L"	"A" (FOR .090 [2.29] TAIL)	"B"
-05	T-1S6-21-XX-2	.335 [8.51]	.185 [4.70]	.050 [1.27]
-06	T-1S6-18-XX-2	.300 [7.62]	.150 [3.81]	.050 [1.27]
-07	T-1S6-07-XX-2	.430 [10.92]	.280 [7.11]	.165 [4.19]
-08	T-1S6-08-XX-2	.530 [13.46]	.380 [9.65]	.165 [4.19]
-09	T-1S6-09-XX-2	.730 [18.54]	.580 [14.73]	.165 [4.19]
-10	T-1S6-10-XX-2	.830 [21.08]	.680 [17.27]	.165 [4.19]
-22	T-1S6-15-XX-2	.630 [16.00]	.480 [12.19]	.165 [4.19]
-23	T-1S6-16-XX-2	.445 [11.30]	.295 [7.49]	.165 [4.19]
-24	T-1S6-17-XX-2	.480 [12.19]	.330 [8.38]	.165 [4.19]

ASSEMBLY OPERATION	IN-PROCESS INSPECTION
FILL	*C1, C5
2ND PRESS	*C1
REPRESS	*C1
CRIMP	C4
MULTI CUT	C2, C3

* WHEREVER APPLIES

PROPRIETARY NOTE
 THIS DOCUMENT CONTAINS CONFIDENTIAL AND PROPRIETARY INFORMATION AND IS UNCLASSIFIED BY DATE 08/20/2013. ALL RIGHTS ARE RESERVED BY SAMTEC, INC. THIS DOCUMENT SHALL NOT BE REPRODUCED, IN WHOLE OR IN PART, IN ANY MANNER WITHOUT THE EXPRESS WRITTEN CONSENT OF SAMTEC, INC.

MATERIAL:
 LCP, UL 94 VO
 COLOR: BLACK

TERMINALS:
 PHOSPHOR BRONZE ALLOY
 NO. 510, 3/4 HARD
 TENSILE RANGE 95-105 KSI

EXP/PROD/ASSEMBLY 100
MTLW

samtec

520 PARK EAST BLVD. NEW ALBANY, INDIANA 47150
 PHONE (812) 944-6733 P.O. BOX 1147
 CODE 55322

MADE BY: REIDINGER 6-5-91
 CHECKED BY: McCARTIN

ENG. APPROVAL
 DEM

MTLW-1XX-XX-XX-X-XXX-XX-XX
 SHEET 1 OF 2

Mouser Electronics

Authorized Distributor

Click to View Pricing, Inventory, Delivery & Lifecycle Information:

Samtec:

[MTLW-108-05-G-D-170](#) [MTLW-105-07-L-D-200](#) [MTLW-110-05-T-S-195](#) [MTLW-106-05-G-S-140](#) [MTLW-102-23-L-S-255](#) [MTLW-105-08-G-D-150](#) [MTLW-102-09-T-S-500](#) [MTLW-103-05-S-D-120](#) [MTLW-103-06-G-S-155](#) [MTLW-103-07-G-S-240](#) [MTLW-102-07-G-S-230](#) [MTLW-105-07-L-S-250](#) [MTLW-102-07-G-S-270](#) [MTLW-103-23-L-D-295](#) [MTLW-105-05-L-S-157](#) [MTLW-106-06-T-S-125](#) [MTLW-107-06-L-D-145](#) [MTLW-106-05-G-D-160](#) [MTLW-106-07-G-S-280](#) [MTLW-107-07-S-D-280](#) [MTLW-108-06-G-D-120](#) [MTLW-105-07-T-S-270](#) [MTLW-108-07-G-S-200](#) [MTLW-106-07-S-S-235](#) [MTLW-104-07-L-S-250](#) [MTLW-108-07-L-S-195](#) [MTLW-110-06-S-D-130](#) [MTLW-105-07-L-S-235](#) [MTLW-106-06-T-S-050](#) [MTLW-105-09-S-S-530](#) [MTLW-114-22-G-S-270](#) [MTLW-105-05-T-S-185](#) [MTLW-105-07-G-S-260](#) [MTLW-106-07-G-D-230](#) [MTLW-106-07-G-S-240](#) [MTLW-107-07-T-D-240](#) [MTLW-108-07-G-D-275](#) [MTLW-115-05-G-D-170](#) [MTLW-116-07-S-S-290](#) [MTLW-125-07-L-D-240](#) [MTLW-120-06-S-D-133](#) [MTLW-120-07-G-S-235](#) [MTLW-120-06-G-D-160](#) [MTLW-125-07-G-D-245](#) [MTLW-114-07-S-S-185](#) [MTLW-125-06-L-D-135](#) [MTLW-110-05-G-D-185](#) [MTLW-120-05-L-S-165](#) [MTLW-136-05-G-S-200](#) [MTLW-101-07-T-S-255](#) [MTLW-102-06-G-S-110](#) [MTLW-103-06-G-D-135](#) [MTLW-101-06-G-D-125](#) [MTLW-101-06-S-D-105](#) [MTLW-102-07-G-S-160](#) [MTLW-102-07-G-D-250](#) [MTLW-103-07-G-D-270](#) [MTLW-104-06-T-S-150](#) [MTLW-104-06-T-S-195](#) [MTLW-105-06-G-S-150](#) [MTLW-105-07-G-D-220](#) [MTLW-102-07-T-S-270](#) [MTLW-104-08-G-S-350](#) [MTLW-105-07-L-D-240](#) [MTLW-107-06-G-D-100](#) [MTLW-104-07-S-D-245](#) [MTLW-107-07-T-S-280](#) [MTLW-108-05-T-D-185](#) [MTLW-106-07-G-S-189](#) [MTLW-108-06-G-D-125](#) [MTLW-106-09-T-S-500](#) [MTLW-107-07-S-D-250](#) [MTLW-107-24-T-D-110](#) [MTLW-103-09-G-D-470](#) [MTLW-110-07-L-D-190](#) [MTLW-105-07-L-S-240](#) [MTLW-108-05-G-D-216](#) [MTLW-103-08-SM-S-280](#) [MTLW-105-24-T-D-305](#) [MTLW-109-10-T-S-380](#) [MTLW-110-09-G-D-580](#) [MTLW-132-06-S-D-130](#) [MTLW-130-08-L-D-470](#) [MTLW-112-05-G-S-175](#) [MTLW-112-08-G-S-345](#) [MTLW-125-07-G-D-280](#) [MTLW-116-05-T-S-185](#) [MTLW-136-24-T-D-330](#) [MTLW-140-10-T-S-680](#) [MTLW-102-07-T-S-319](#) [MTLW-103-05-G-S-225](#) [MTLW-104-07-G-D-255](#) [MTLW-101-05-G-S-160](#) [MTLW-102-06-G-D-170](#) [MTLW-102-07-G-D-240](#) [MTLW-103-06-L-S-130](#) [MTLW-103-07-G-S-150](#) [MTLW-102-07-L-S-250](#) [MTLW-104-07-S-D-184](#) [MTLW-101-05-G-S-185](#)