

NOTES:

1. MATERIALS AND FINISHES:
  - BODY - BeCu, GOLD PLATING, .000030 [0.8] THICK OVER NICKEL
  - CONTACT - BeCu, GOLD PLATING, .000030 [0.8] THICK OVER NICKEL
  - INSULATOR - PTFE
2. ELECTRICAL:
  - A. IMPEDANCE: 50 OHM
  - B. FREQUENCY RANGE: DC - 26.5 GHz
  - C. VSWR(RETURN LOSS): 1.2 (20.8 dB), MAX. DC-10GHz  
 1.4 (15.6 dB), MAX. 10-18GHz  
 1.5 (14 dB), MAX. 18-26.5GHz
  - D. DIELECTRIC WITHSTANDING VOLTAGE: 500 VRMS, MIN.
3. PHYSICAL:
  - A. DURABILTIY: 100 CYCLES MIN.
  - B. ENGAGEMENT FORCE: 15 LB [67 N] MAX
  - C. DISINGAGEMENT FORCE: 2 LB [9 N] MIN
  - E. TEMERATURE RANGE: -65° C TO 165° C
4. PACKAGING:
  - A. QUANTITY: SINGLE PACK
  - B. MARKING:
    - RNT 9003/05
    - AMPHENOL
    - SMP-FSBA-145
    - DATE CODE
    - QTY

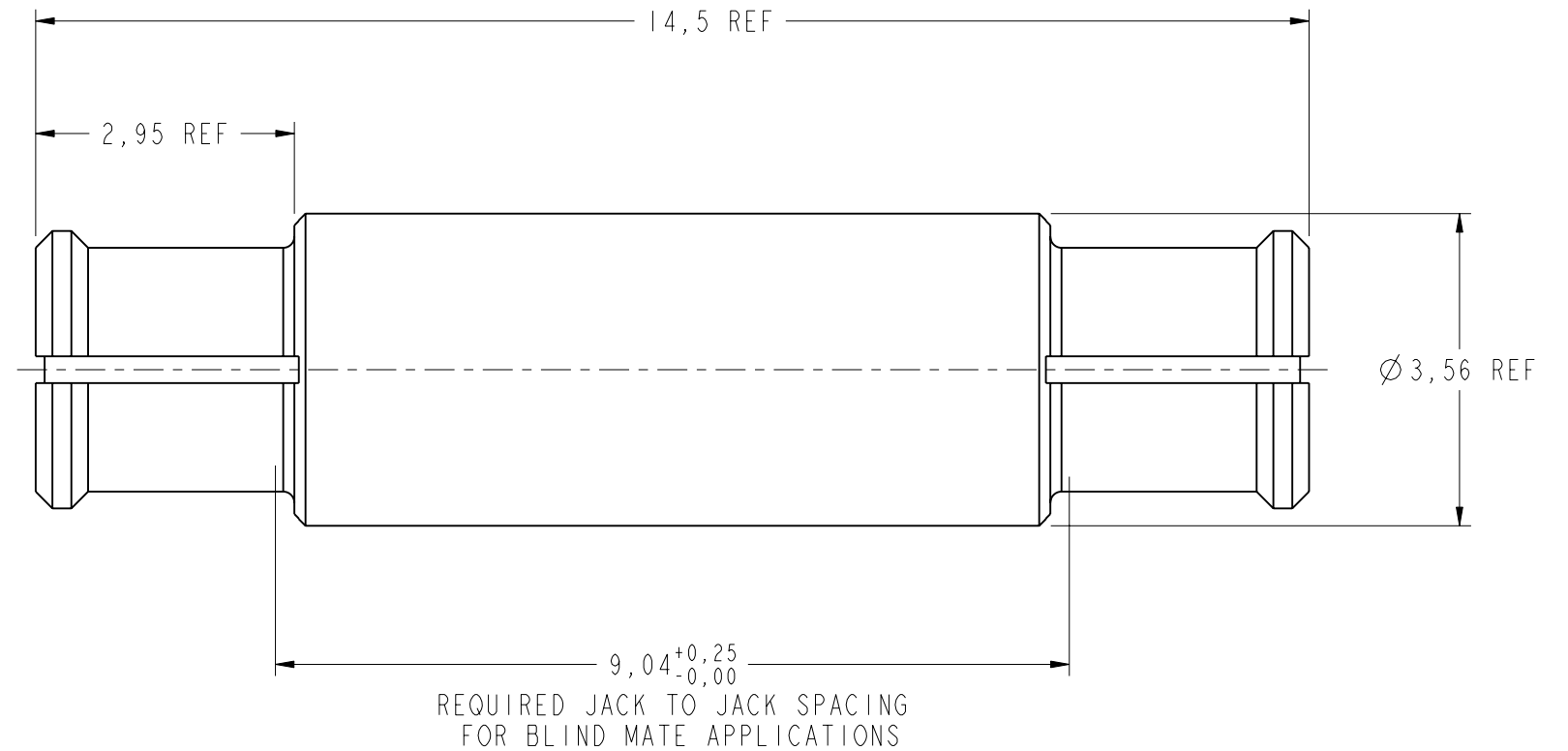
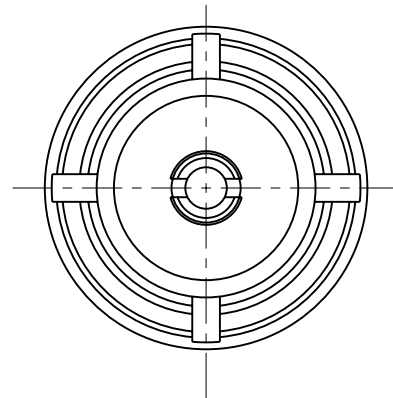
THIRD ANGLE PROJ.

REVISIONS

REV	DESCRIPTION	DATE	ECO	APPR
A	RELEASE TO MFG	11/22/05	45809	MAH
B	SYNCH THE DRAWINGARD-DMI2121701J7	27-Dec-12	49364	SH



SCALE 6.000



**CUSTOMER OUTLINE DRAWING**  
ALL OTHER SHEETS ARE FOR INTERNAL USE ONLY

UNLESS OTHERWISE SPECIFIED, DIMENSIONS ARE IN METRIC AND TOLERANCES ARE:  
 <0.5mm ±0.05mm    0.5 - 6mm ±0.1mm    6 - 30mm ±0.2mm    30 - 120mm ±0.3mm    ANGLES ±1°

NOTICE - These drawings, specifications, or other data (1) are, and remain the property of Amphenol corp. (2) must be returned upon request; and (3) are confidential and not to be disclosed to any person other than those to whom they are given by Amphenol Corp. the furnishing of these drawings, specifications, or other data by Amphenol Corp., or to any other person to anyone for any purpose is not to be regarded by implicatiion or otherwise in any manner licensing, granting rights to permitting such holder or any other sperson to manufacture, use or sell any product, process or design, patented or otherwsie, that may in any way be related to or disclosed by said drawings, specifications, or other data.

MATERIAL -	DRAWN J. SHAO	DATE 27-Dec-12	TITLE ASSEMBLY SMP, F-F		Amphenol RF Danbury CT USA, Tainan, Taiwan, Shenzhen, China www.amphenolrf.com	
	ENGINEER OWEN BARTHELMES	DATE 13-May-02				
	REFERENCE EAR # 1919    AND    615X-1808-100	APPROVED S. HSIEH	DATE 27-Dec-12	SCALE: 12.0:1.0   SHEET    2 OF 2		DRAWING NO. SMP-FSBA-145
	CONFIGURATION LEVEL: <input type="checkbox"/> <input type="checkbox"/>	CAD FILE I:/SMP/SMP-FSBA-145		DWG SIZE B	REV B	ITEM NO. SMP-FSBA-145 PART NO. SMP-FSBA-145

# Mouser Electronics

Authorized Distributor

Click to View Pricing, Inventory, Delivery & Lifecycle Information:

[Amphenol:](#)

[SMP-FSBA-145](#)