

88017-6 ✓ ACTIVE

TE Internal #: 88017-6

Socket Contact, Gold / Gold Flash over Palladium Nickel, Discrete

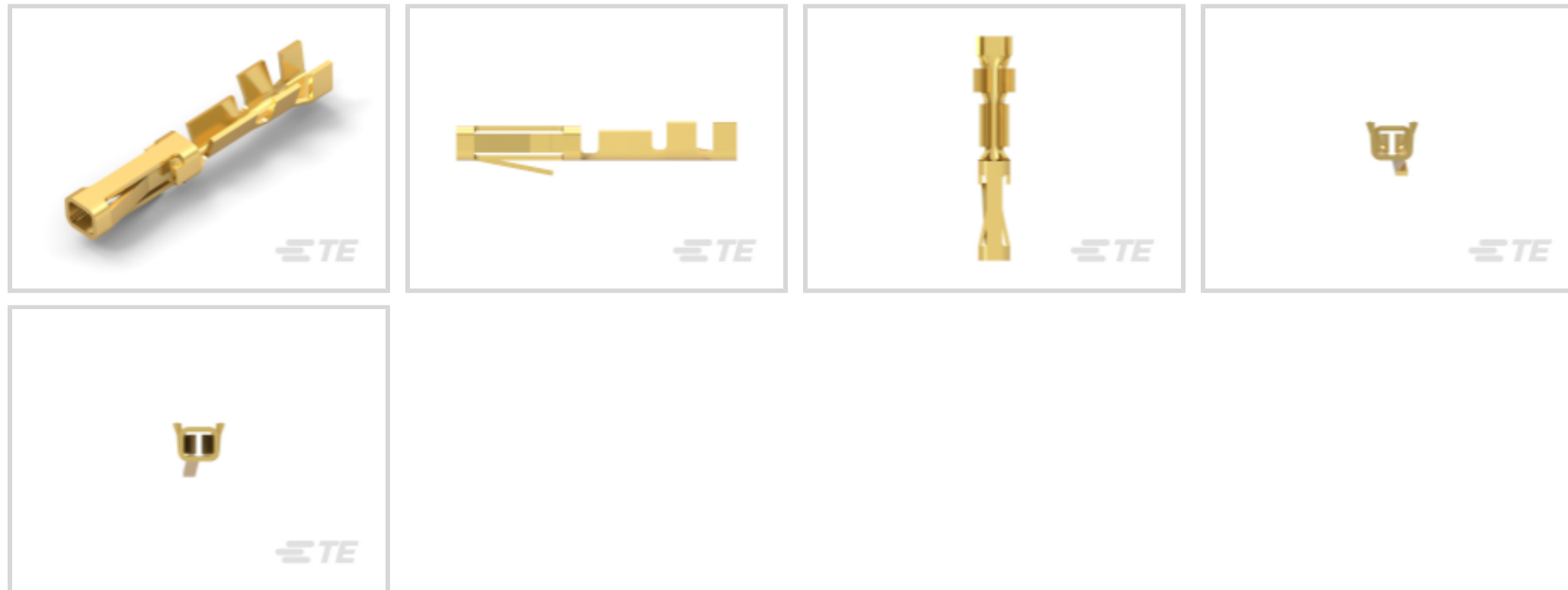
Wire, 32 – 26 AWG Wire Size, .03 – .15 mm² Wire Size, Crimp,

Phosphor Bronze, Signal

[View on TE.com >](#)



Connectors > Contacts > Connector Contacts > 2.54mm FFC Connectors Socket Contacts



Contact Type: **Socket**

Contact Mating Area Plating Material: **Gold Flash over Palladium Nickel, Gold**

Compatible With Wire & Cable Type: **Discrete Wire**

Wire Size: **.03 – .15 mm²**

[All 2.54mm FFC Connectors Socket Contacts \(34\)](#)

Features

Packaging Features

Packaging Method	Box
------------------	-----

Dimensions

Accepts Conductor Width	1.65 mm, 1.27 mm
Compatible Insulation Diameter Range	.64 – 1.22 mm [.025 – .048 in]
Wire Size	.03 – .15 mm ²

Contact Features

Contact Underplating Material	Nickel
PCB Contact Termination Area Plating Material	Gold Flash
	15 μin
Contact Type	Socket
Contact Mating Area Plating Material	Gold Flash over Palladium Nickel, Gold
Contact Base Material	Phosphor Bronze
Contact Current Rating (Max)	2 A

Configuration Features



Compatible With Wire & Cable Type	Discrete Wire
-----------------------------------	---------------

Termination Features

Termination Method to Wire & Cable	Crimp
Product Terminates To	Wire & Cable

Usage Conditions

Operating Temperature Range	-65 – 105 °C[-85 – 221 °F]
-----------------------------	----------------------------

Operation/Application

Circuit Application	Signal
---------------------	--------

Other

EU RoHS Compliance	Compliant
EU ELV Compliance	Compliant

Product Compliance

[For compliance documentation, visit the product page on TE.com>](#)

EU RoHS Directive 2011/65/EU	Compliant
EU ELV Directive 2000/53/EC	Compliant
China RoHS 2 Directive MIIT Order No 32, 2016	No Restricted Materials Above Threshold
EU REACH Regulation (EC) No. 1907/2006	Current ECHA Candidate List: JUNE 2024 (241) Candidate List Declared Against: JUNE 2024 (241) Does not contain REACH SVHC
Halogen Content	Low Halogen - Br, Cl, F, I < 900 ppm per homogenous material. Also BFR/CFR/PVC Free
Solder Process Capability	Not applicable for solder process capability

Product Compliance Disclaimer

This information is provided based on reasonable inquiry of our suppliers and represents our current actual knowledge based on the information they provided. This information is subject to change. The part numbers that TE has identified as EU RoHS compliant have a maximum concentration of 0.1% by weight in homogenous materials for lead, hexavalent chromium, mercury, PBB, PBDE, DBP, BBP, DEHP, DIBP, and 0.01% for cadmium, or qualify for an exemption to these limits as defined in the Annexes of Directive 2011/65/EU (RoHS2). Finished electrical and electronic equipment products will be CE marked as required by Directive 2011/65/EU. Components may not be CE marked. Additionally, the part numbers that TE has identified as EU ELV compliant have a maximum concentration of 0.1% by weight in homogenous materials for lead, hexavalent chromium, and mercury, and 0.01% for cadmium, or qualify for an exemption to these limits as defined in the Annexes of Directive 2000/53/EC (ELV). Regarding the REACH Regulation, the information TE provides on SVHC in articles for this part number is based on the latest European Chemicals Agency (ECHA) 'Guidance on requirements for substances in articles' posted at this URL: <https://echa.europa.eu/guidance-documents/guidance-on-reach>

Compatible Parts



TE Part # CAT-F439-R2435254
2.54mm FFC Connectors Receptacle
Housing



TE Part # 86557-4
FFC PIN ROUND WIRE PLATED

Customers Also Bought



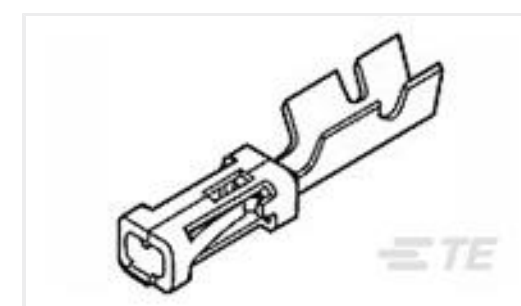
TE Part #487223-1
010 HOUSING FFC RCPT 100CL DR



TE Part #8-31886-1
PIDG Ring Tongue Terminals



TE Part #52263-3
TERMINAL R PG 8 10



TE Part #2-87195-6
MOD IV RECP LP, 30 Au, TIN, RoHS



TE Part #2317170-1
AMPL REC HD22, VERT, 26P,
THREADED

Documents

Product Drawings

[FFC RCPT CONTACT L.P.](#)

English

CAD Files

Customer View Model

[ENG_CVM_CVM_88017-6_AD.2d_dxf.zip](#)

English

3D PDF

3D

Customer View Model

[ENG_CVM_CVM_88017-6_AD.3d_igs.zip](#)

English

Customer View Model

[ENG_CVM_CVM_88017-6_AD.3d_stp.zip](#)



English

By downloading the CAD file I accept and agree to the [Terms and Conditions](#) of use.

Product Specifications

Application Specification

English

Application Specification

English

Instruction Sheets

Instruction Sheet (U.S.)

English

Extraction Tool for Flexible Flat Cable (FFC)

English

Instruction Sheet (U.S.)

English

Extraction Tools

English