



TAOGLAS®



Datasheet

SWDP.2458.A

Part No:
SWDP.2458.15.4.A.02

Description:

Embedded 2.4/5.8GHz Dual-Band Wi-Fi Ceramic Patch Antenna

Features:

15mm*15mm*4mm

2400MHz to 2500MHz

5150MHz to 5850MHz

SMD Mount

Lightweight and Robust

Supports IEEE 802.11 Dual-Band Wi-Fi systems

Dual Linear Polarization for Higher Isolation

Tuned for 70x70mm Ground Plane

Automotive IATF16949 Production and Quality Approved

RoHS and REACH compliant

1. Introduction	3
2. Specifications	5
3. Antenna Characteristics	6
4. Radiation Patterns	8
5. Mechanical Drawing	9
6. Footprint	10
7. Packaging	11
<hr/>	
Changelog	12

Taoglas makes no warranties based on the accuracy or completeness of the contents of this document and reserves the right to make changes to specifications and product descriptions at any time without notice. Taoglas reserves all rights to this document and the information contained herein. Reproduction, use or disclosure to third parties without express permission is strictly prohibited.



1. Introduction



This revolutionary patent pending 5dBi, high efficiency, embedded ceramic patch antenna is designed for professional Wi-Fi dual-band IEEE 802.11 applications. This antenna is the smallest, highest gain off the shelf WiFi dual-band patch solution in the market today, enabling vastly improved coverage for applications in small devices where a directional antenna is applicable, where options until now have been limited to low gain chip antennas.

The SWDP.15's high gain and high efficiency performance is the perfect solution for directional dual-band Wi-Fi applications, which need long range, but require small compact embedded antennas. The much higher gain and efficiency of the SWDP.15 over smaller, less efficient, more omni-directional chip antennas (these typically have no more than 2dBi gain, 30% efficiencies) means it can deliver much longer range over a wide sector. At only 3.5 grams, it is lightweight yet robust. SMD mounting allows for high volume manufacturing applications.

Typical applications include:

- Access Points
- Tablets
- High definition, high throughput video streaming routers
- High data MIMO bandwidth routers
- Automotive
- Home and industrial in-wall Wi-Fi automation
- Long range Wi-Fi remote control applications

The WDP patch antenna has two distinct linear polarizations on the 2.4 and 5.8GHz bands, increasing isolation between bands, thus reducing interference from neighbouring transmitters.

Custom tuning may be necessary on different ground-planes and in individual device environments. Custom tuned versions for different ground-planes and housing environments can be designed and supplied subject to NRE and a minimum order quantity. Contact your regional Taoglas office for support to integrate and test this antenna performance in your device.

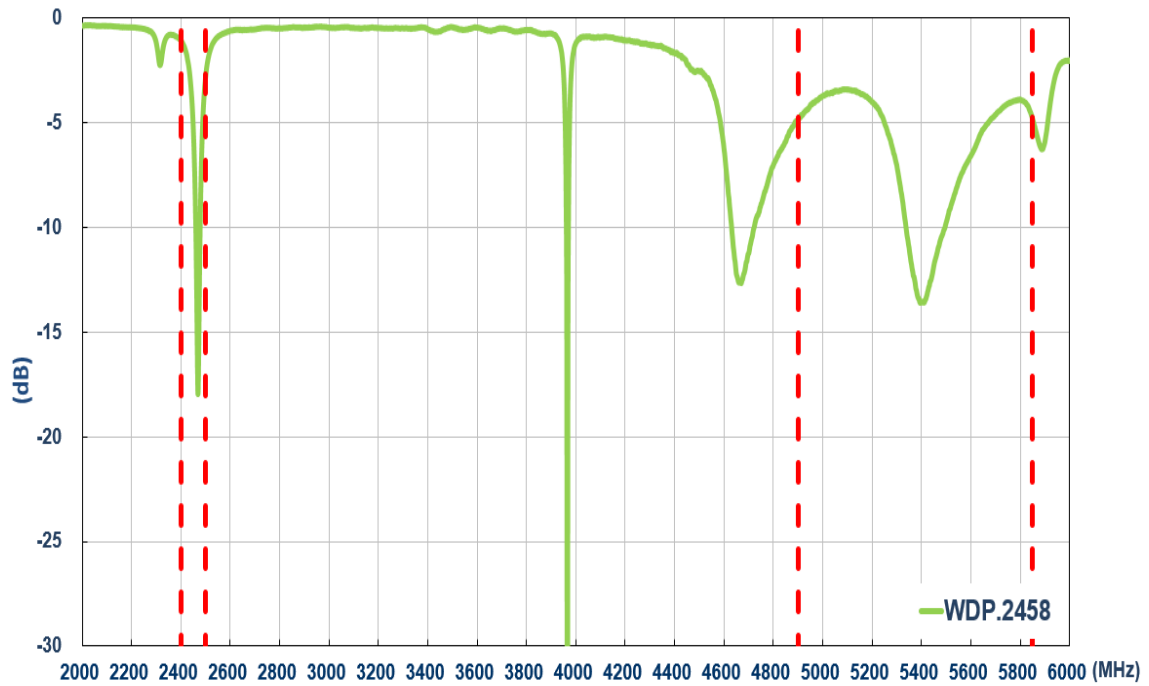
2. Specifications

Electrical			
Frequency	2400~2500MHz	4900~5500MHz	5500~5850MHz
Efficiency (%)	48.45	44.95	42.64
Average Gain(dBi)	-3.15	-3.47	-3.70
Peak Gain(dBi)	5.70	5.29	4.03
Impedance	50Ω		
Polarization	Linear		
Input Power	10W		
Mechanical			
Height	4 mm		
Planner Dimension	15 x 15 mm		
Weight	3.5g		
Environmental			
Operating and Storage Temperature Range	-40°C to 85°C		
Humidity	Non-condensing 65°C 95% RH		
Moisture Sensitivity Level (MSL)	3 (168 Hours)		

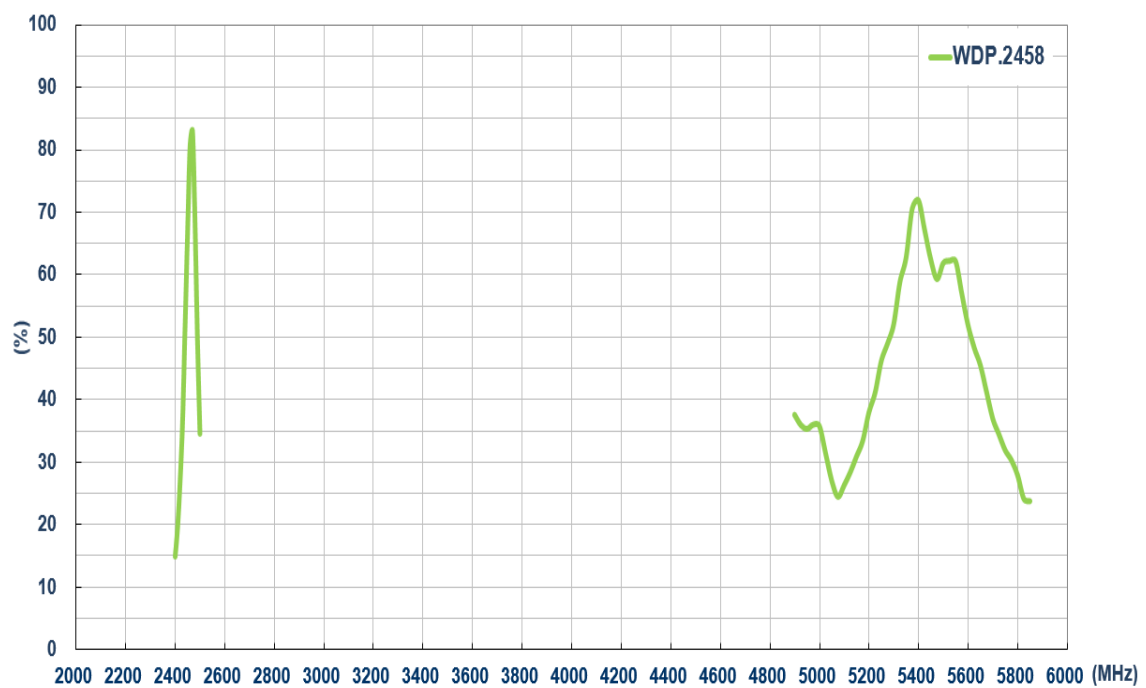
*All tests done on a 70*70mm ground plane

3. Antenna Characteristics

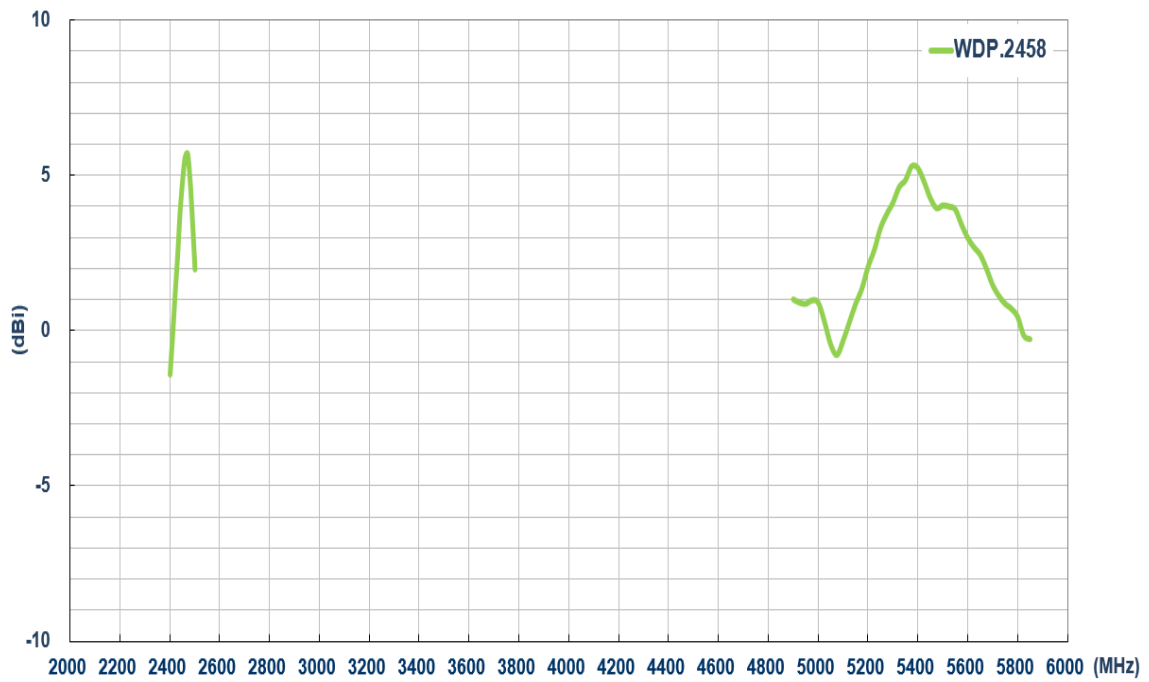
3.1 Return Loss



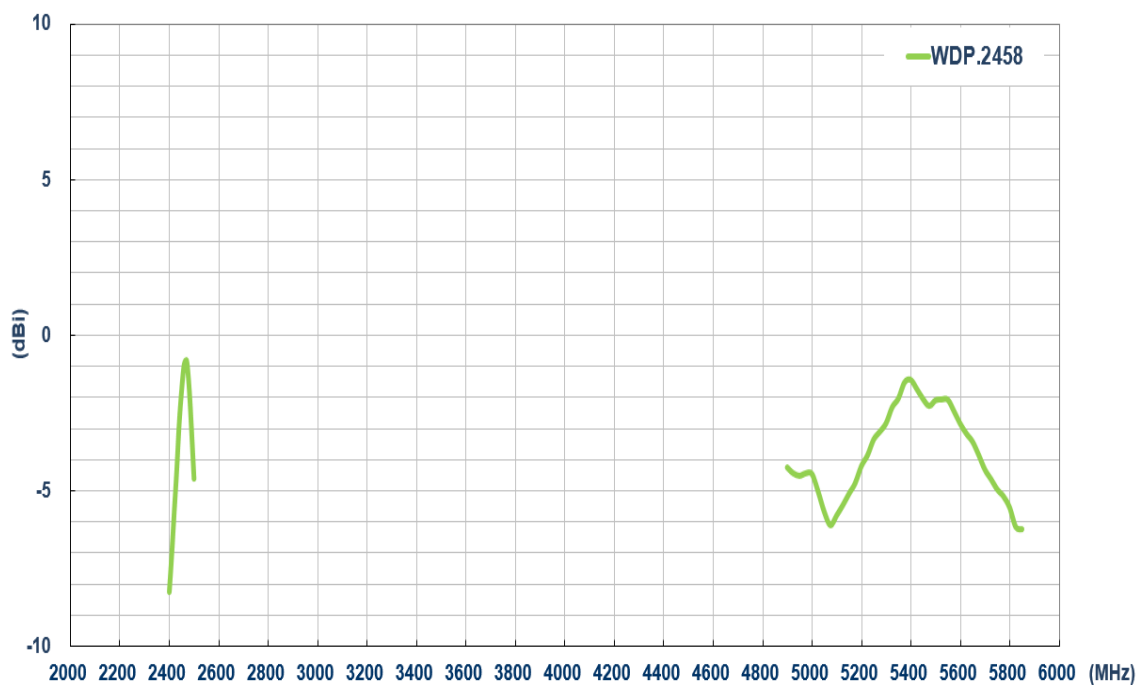
3.2 Efficiency



3.3 Average Gain

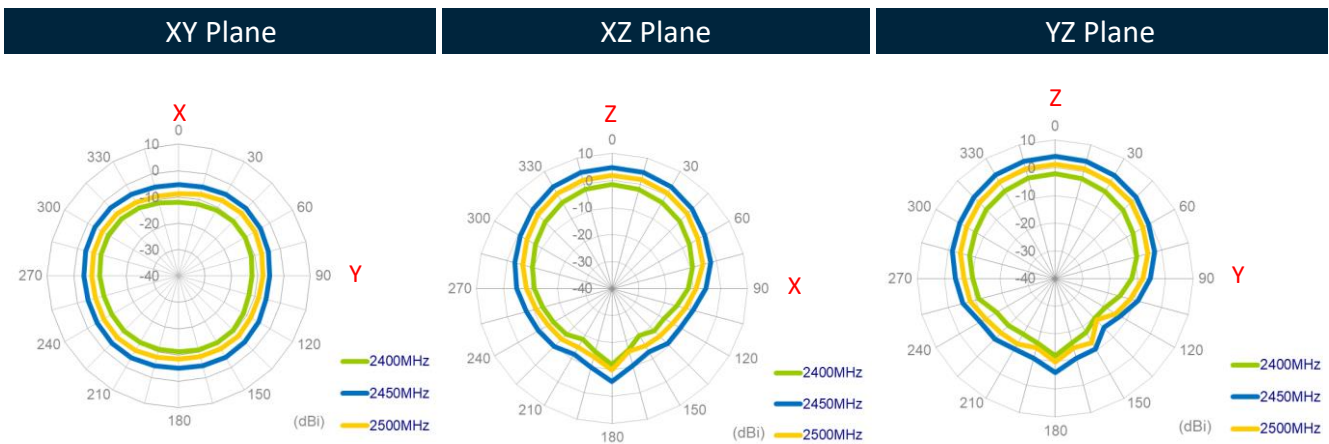
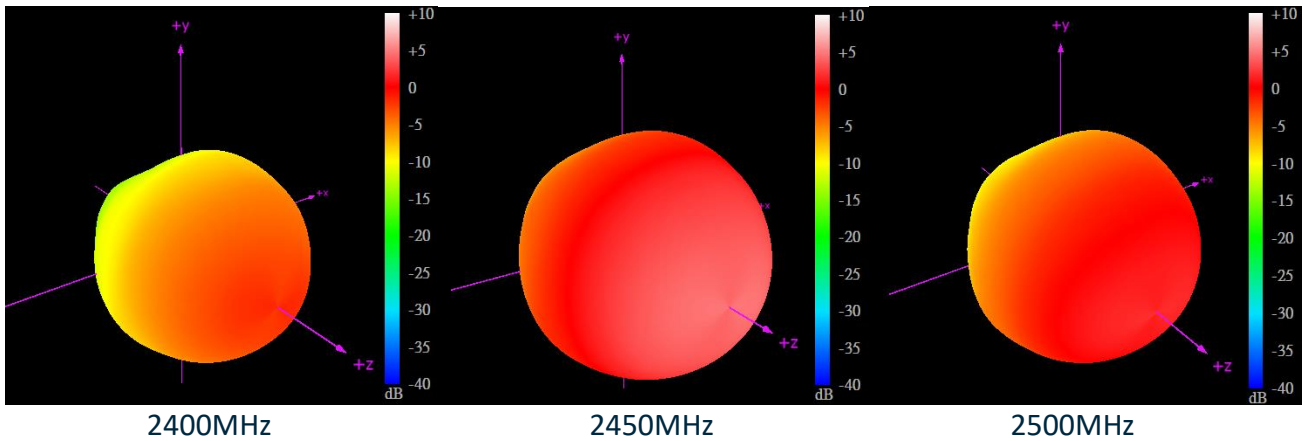


3.4 Peak Gain

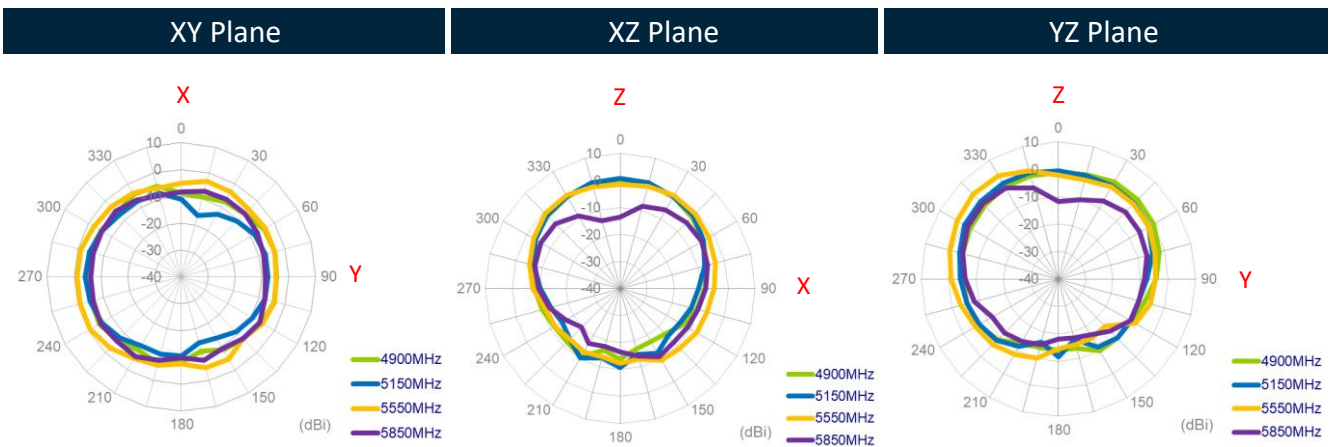
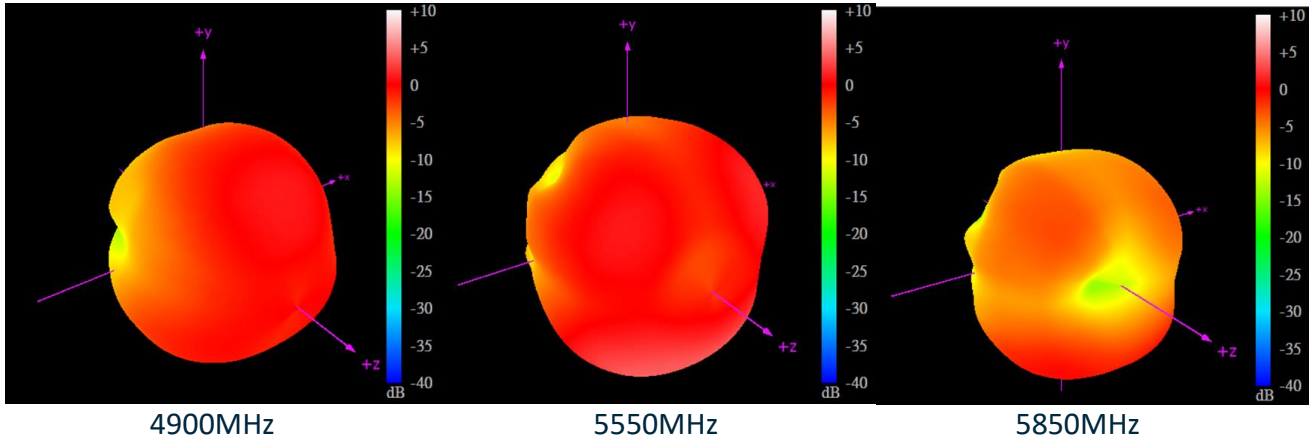


4. Radiation Patterns

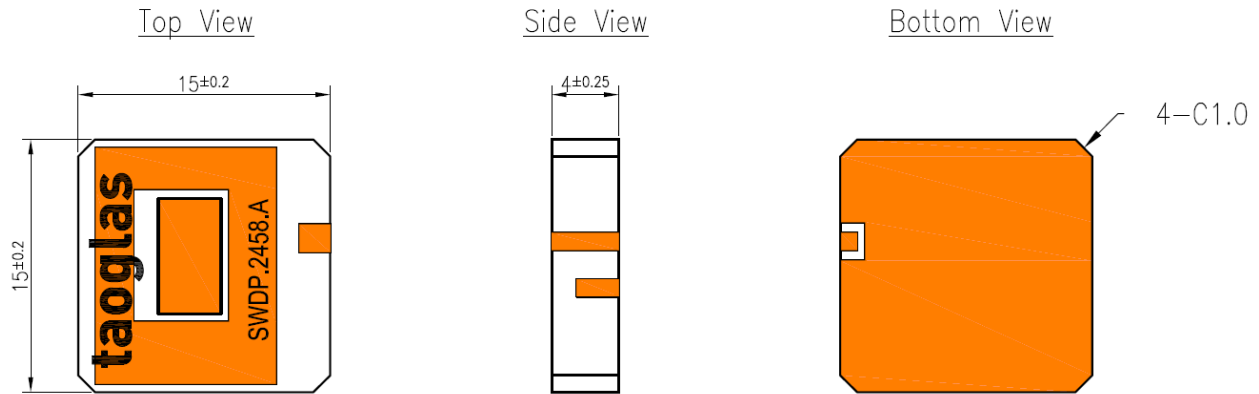
4.1 2400MHz, 2450MHz & 2500MHz 3D and 2D Radiation Patterns



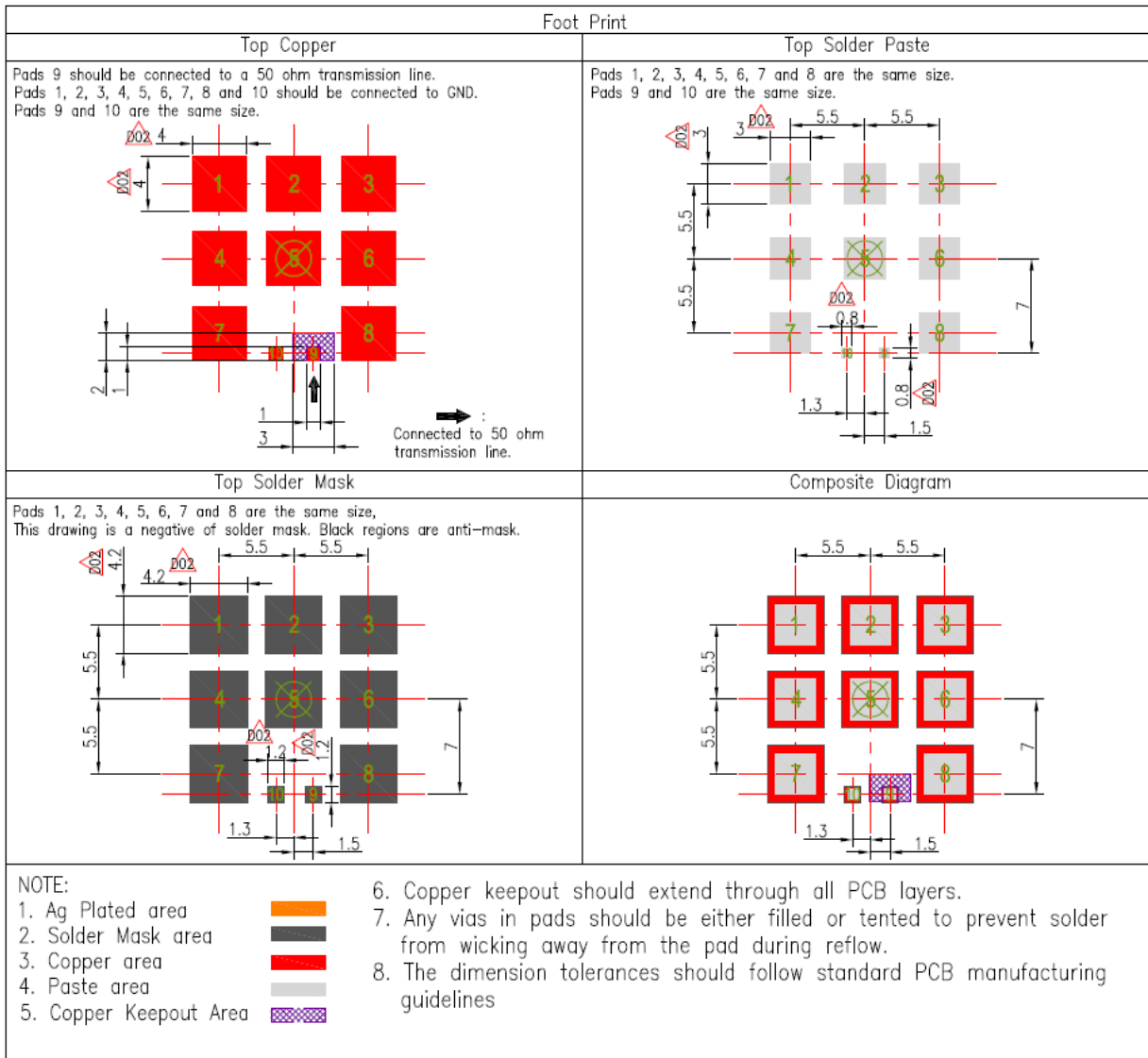
4.2 4900MHz, 5550MHz & 5850MHz 3D and 2D Radiation Patterns



5. Mechanical Drawing (Units: mm)

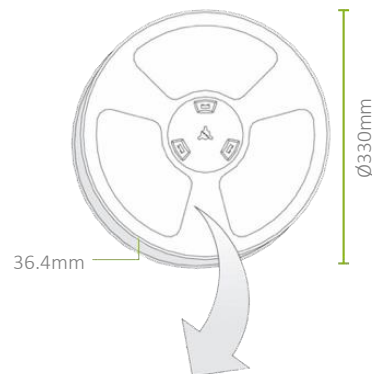


6. Footprint

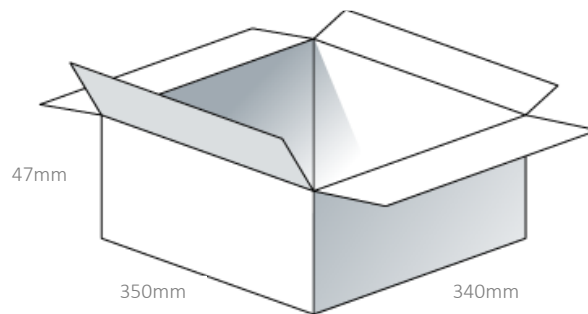


7. Packaging

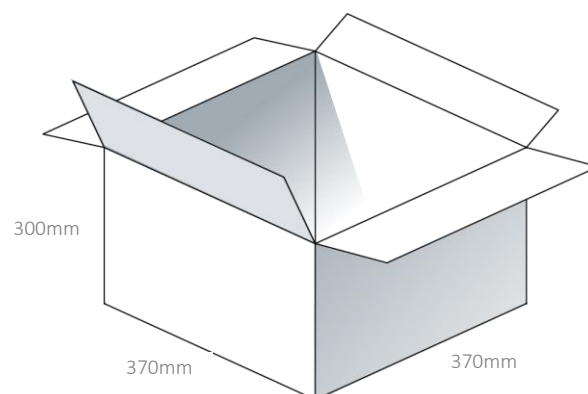
500pcs SWPD.2458.15.4.A.02 per Tape & Reel
 Dimensions - $\varnothing 330 \times 36.4 \text{mm}$



1 Tape & Reel per carton
 Dimensions - $350 \times 340 \times 47 \text{mm}$



2500pcs SWPD.2458.15.4.A.02 per carton
 Dimensions - $370 \times 370 \times 300 \text{mm}$



Changelog for the datasheet

SPE-17-8-081 - SWDP.2458.15.4.A.02

Revision: C (Current Version)	
Date:	2022-02-28
Changes:	Updated Datasheet Template Updated Packaging
Changes Made by:	Paul Doyle

Previous Revisions

Revision: B	
Date:	2018-10-15
Changes:	Added IATF16949
Changes Made by:	Sean Hancox

Revision: A (Original First Release)	
Date:	2017-12-13
Notes:	
Author:	Jack Conroy

Previous Revisions (Continued)



TAOGLAS®

www.taoglas.com

