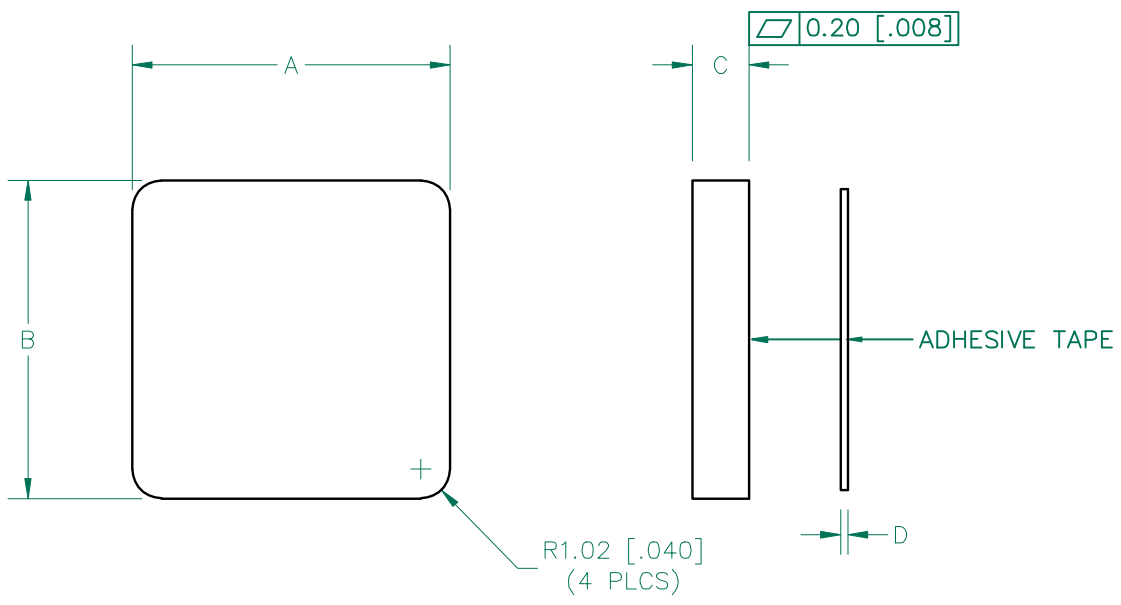
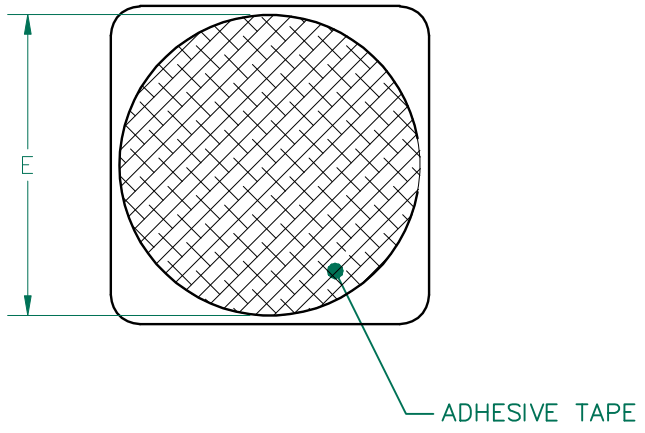


SCALE DRAWING 1:1

MP0433-000



UNCONTROLLED DOCUMENT



NOTES:

1. CORE: MP0433-0B0.
2. ADHESIVE: P/N 21213
3. REFERENCE 3M TAPE 468MP ADHESIVE TRANSFER TAPE OR ENGINEER APPROVED ALTERNATIVE.

DIMENSIONS:

A	11.00 [.433]	+	0.22 [.009]
B	11.00 [.433]	+	0.22 [.009]
C	1.96 [.077]	+	0.20 [.008]
D	0.13 [.005]		TYP.
E	10.41 [.410]		TYP.

WEIGHT/1000 1.16 kgs [2.56 Lbs]

DIMENSIONS ARE IN mm [INCHES].				This print is the property of Laird Tech. and is loaned in confidence subject to return upon request and with the understanding that no copies shall be made without the written consent of Laird Tech. All rights to design or invention are reserved.	
H	CHANGE DIMENSION D	07/08/09	JRK		PROJECT/PART NUMBER: MP0433-000
G	REMOVE PULLTAB REVISE NOTE #3	06/11/09	JRK		
F	UPDATE COMPANY LOGO AND NOTE #3	12/10/08	JRK		
E	CHANGE TOLERANCE ON C DIMENSION	01/06/06	JRK		
D	STANDARDIZE PRINT FORMAT	09/22/05	JRK		
C	MODIFY NOTE 2 TO ADD PURCHASE P/N	10/08/04	JRK		
B	ADD PART WEIGHT	04/06/04	TMB		
A	ORIGINAL DRAFT	04/01/04	TMB		
REV	DESCRIPTION	DATE	INT		
		DATE: 04/01/04			
		CAD # MP0433-000-H		TOOL # P0433	