



POWER DISTRIBUTION BLOCKS

Ratings: 600 Volts AC; or DC Maximum
Agency Approvals: UL Recognized,
 Guide #XCFR2, File #E84923
 CSA Certified,
 Class 6228-01, File 15364

EXAMPLE: A 3-pole, 16023 series is 16023-3. It has 1 line opening per section that accepts 350MCM - #6. (3 openings total). This block has 6 load openings per section. Each opening accepts #6 - #14 wire. A total of 18 load-side openings are on the 3-pole block.

Picture Shown:
 3-Pole - 1 opening on line-side per pole
 6 openings on load-side per pole

Power Distribution Blocks (600V) Catalog Data

Catalog Number	1-Pole	2-Pole	3-Pole	4-Pole	Connection		Connector Material and Ampacity	Line/Load
					Line	Load		
16021	N/A	-2	-3	-4	2/0 - #14Cu/#8Al	(6) #4 - #14Cu/#8Al	Al-175A	
16023	N/A	-2	-3	-4	350MCM - #6Cu-Al	(6) #6 - #14Cu/#12Al	Al-310A	
16220	-1	-2	-3	N/A	2/0 - #14Cu/#8Al	(4) #4 - #14Cu/#8Al	Al-175A	
16321	-1	-2	-3	N/A	2/0 - #14Cu-Al	(6) #3 - #14Cu/#8Al	Al-175A	
16323	-1	-2	-3	N/A	350MCM - #6Cu-Al	(6) #4 - #14Cu/#12Al	Al-310A	
16325	-1	-2	-3	N/A	(2) 2/0 - #14Cu, 2/0 - #8Al	(6) #4 - #14Cu/#12Al	Al-350A	
16327	-1	-2	-3	N/A	500MCM - #2Cu-Al	(6) #4 - #14Cu/#12Al	Al-380A	
16330	-1	-2	-3	N/A	500MCM - #6Cu-Al	(6) #2 - #14Cu/#8Al	Al-380A	
16332	-1	-2	-3	N/A	350MCM - #6Cu-Al	(3) #2 - #14Cu/#8Al (2) 1/0 - #14Cu/#8Al	Al-310A	
16335	-1	-2	-3	N/A	500MCM - #2Cu-Al	(3) #2 - #14Cu/#8Al (2) #1/0 - #14Cu/#8Al	Al-380A	
16370	-1	-2	-3	N/A	350MCM - #6Cu-Al	(12) #4 - #14Cu/#8Al	Al-310A	
16371	-1	-2	-3	N/A	350MCM - #6Cu-Al	(6) #2 - #14Cu/#8Al (3) 1/0 - #14Cu/#8Al	Al-310A	
16372	-1	-2	-3	N/A	350MCM - #6Cu-Al	(21) #10 - #14Cu/#12Al	Al-310A	
16375	-1	-2	-3	N/A	600MCM - #2Cu-Al	(12) #4 - #14Cu/#8Al	Al-420A	
16376	-1	-2	-3	N/A	600MCM - #2Cu-Al	(6) #2 - #14Cu/#8Al (3) 1/0 - #14Cu/#8Al	Al-420A	
16528	-1	-2	-3	N/A	(2) 600MCM - #2Cu-Al	(4) 3/0 - #6Cu-Al (4) #4 - #14Cu, #4 - #12Al	Al-840A	
16530	-1	-2	-3	N/A	(2) 500MCM - #6Cu-Al	(12) #4 - #14Cu, #4 - #12Al	Al-760A	
16541	-1	-2	-3	N/A	500MCM - #6Cu-Al	(21) #6 - #14Cu, #6 - #12Al	Al-380A	



SPLICER TERMINAL BLOCKS

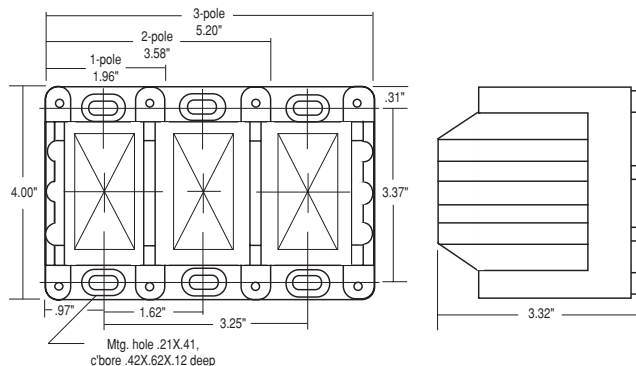
Ratings: 600 Volts AC; or DC Maximum
Agency Approvals: UL Recognized,
 Guide #XCFR2, File #E84923
 CSA Certified,
 Class 6228-01, File 15364

Picture Shown:
 3-Pole - 1 opening on line-side per phase
 1 opening on load-side per phase

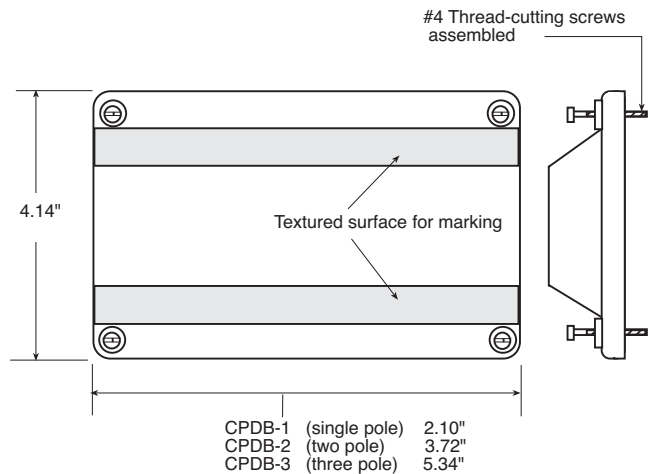
Power Distribution Blocks (600V) Catalog Data

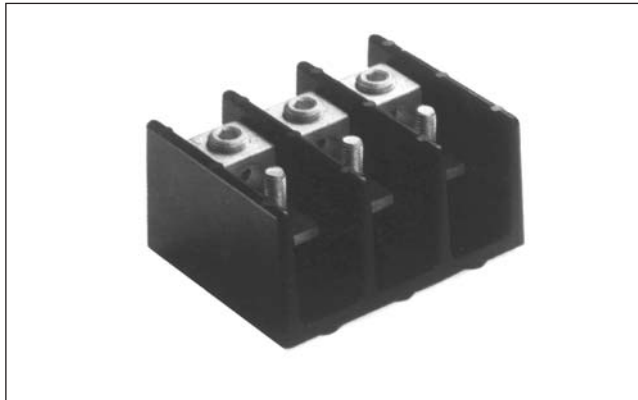
Catalog Number	1-Pole	2-Pole	3-Pole	4-Pole	Connection		Connector Material and Ampacity	U.F.	CSA
					Line	Load			
16000	NA	-2	-3	-4	2/0 - #8Cu-Al	2/0 - #8Cu-Al	Al-175A	•	—
16003	NA	-2	-3	-4	250MCM - #6Cu	250MCM - #6Cu	Cu-255A	•	—
16005	NA	-2	-3	-4	350MCM - #6Cu-Al	350MCM - #6Cu-Al	Al-310A	•	—
16200	-1	-2	-3	NA	#2 - #14Cu, #2 - #8Al	#2 - #14Cu, #2 - #8Al	Al-115A	•	•
16201	-1	-2	-3	NA	1/0 - #14Cu	1/0 - #14Cu	Cu-150A	•	•
16204	-1	-2	-3	NA	2/0 - #8Cu-Al	2/0 - #8Cu-Al	Al-175A	•	•
16301	-1	-2	-3	NA	250MCM - #6Cu	250MCM - #6Cu	Cu-255A	•	•
16303	-1	-2	-3	NA	350MCM - #6Cu-Al	350MCM - #6Cu-Al	Al-310A	•	•
16500	-1	-2	-3	NA	(2) 350MCM - #4Cu-Al	(2) 350MCM - #4Cu-Al	Al-620A	•	•
16504	-1	-2	-3	NA	(2) 500MCM - #6Cu-Al	(2) 500MCM - #6Cu-Al	Al-760A	•	•

Dimensions for 163 Series Only:



Optional Covers For 163 Series Only:





CONNECTOR-STUD AND STUD-STUD BLOCKS

Ratings: 600 Volts AC; or DC Maximum
Agency Approvals: UL Recognized,
 Guide #XCFR2, File #E84923
 CSA Certified,
 Class 6228-01, File 15364

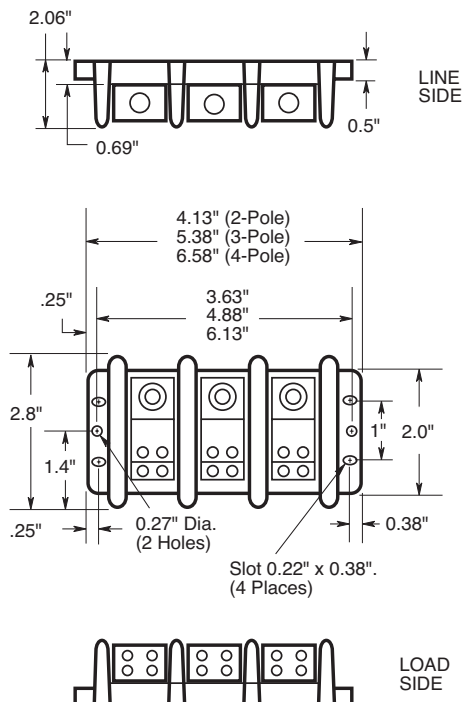
Power Distribution Blocks (600V) Catalog Data

Catalog Number	1-Pole	2-Pole	3-Pole	Connection		Connector Material and Ampacity	Line/Load
				Line	Load		
CONNECTOR-STUD							
16378	-1	-2	-3	500MCM - #6Cu-Al	(2) 0.25"-20 x 1.0" Stud	Al-380A	
16383	-1	-2	-3	500MCM - #6Cu-Al	(1) 0.38"-16 x 1.25" Stud	Al-380A	
16582	-1	-2	-3	(2) 500MCM - #6Cu-Al	(2) 0.38"-16 x 1.63" Stud	Al-760A	
STUD-STUD							
				Stud Size	Stud Size		
16390	-1	-2	-3	3/8"-16 x 1-1/8"	3/8"-16 x 1-1/8"	Al-250A	
16394	-1	-2	-3	1/2"-13 x 1-1/16"	1/2"-13 x 1-1/16"	Al-400A	
16395	-1	-2	-3	3/8"-16 x 1-7/16"	(2) 1/4"-20 x 1-9/16"	Al-310A	
16591	-1	-2	-3	3/8"-16 x 1-7/16"	(2) 3/8"-16 x 1-7/16"	Al-400A	

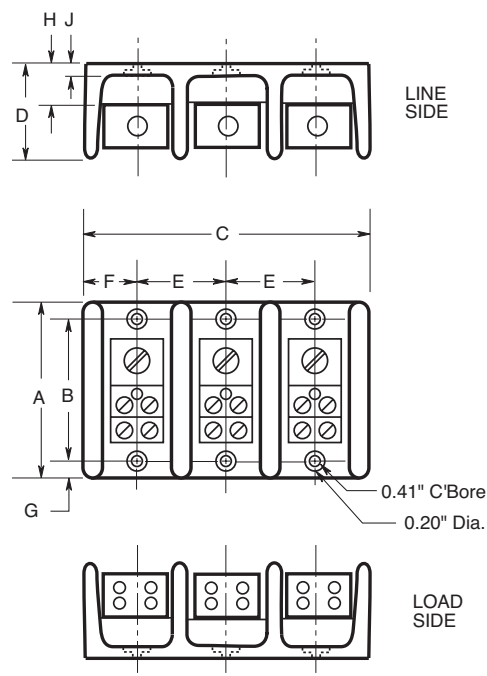
Dimensions for Series 162, and 165

Catalog No.	A	B	C1	C2	C3	D	E	F	G	H	J	K	L
162	2.88	2.25	1.06	1.88	2.69	1.75	0.81	0.53	0.31	0.84	0.31	0.20	0.41
163	4.0	3.38	1.96	3.58	5.20	3.32	1.62	0.97	0.31	0.87	0.35	0.20	0.41
165	5.5	4.75	3.12	5.81	8.5	3.13	2.60	1.56	0.38	1.38	0.63	0.20	0.41

Series 160 (Available 2, 3, and 4 pole) Dimensional Data



Series 162 and 165 Dimensional Data (Available 1, 2, and 3 pole)



160 Series Bases have mounting holes outside the barriers. Other bases (162 through 165) have mounting holes within barriers—see dimensional drawings.